

KT-LED14PSRD-6CB-9CSF-DIM

5" / 6" LED BAFFLED DOWNLIGHT RETROFIT TRIM

DESCRIPTION

5" / 6" Baffled Downlight Retrofit Trim | Power Select Technology | Color Select Technology | Quick-Disconnect E26 Base

APPLICATION

Ideal for residential, hospitality, retail, and other retrofit and new construction applications



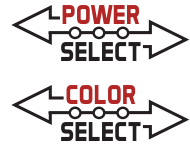
PRODUCT FEATURES

- Keystone Power Select Technology (14/10/8W).
- Keystone Color Select technology (2700/3000/3500/4000/5000K)
- Includes quick-disconnect E26 base adaptor for easy install in retrofit applications
- Offers improved aesthetics vs. screw-in lamps while using the same easy, screw-in installation
- Ideal for retrofit, new construction, and remodel applications
- Suitable for a wide range of existing recessed can fixtures
- Baffled reflector offers clean, modern appearance
- Diffused lens reduces glare
- Interchangeable trims available in matte black, brushed nickel, and bronze
- Powered by Keystone TRIAC dimming LED driver; 10–100% dimming
- Ambient operating temperature: -20°C/-4°F to 40°C/104°F
- Suitable for use in wet locations
- Power factor: >0.90
- THD: <20%
- FCC Part 15, Subpart B, Class B

PERFORMANCE SPECIFICATIONS

Catalog Number	Input Voltage	Wattage (Selectable)	CCT (Selectable)*	Lumen Output	Efficacy	CRI	Power Factor	Beam Angle	Lifetime
KT-LED14PSRD-6CB-9CSF-DIM	120V	14W	2700K	1200	86 lm/W	>80	>0.9	90°	50,000 hrs
			3000K	1220	87 lm/W				
			3500K	1240	89 lm/W				
			4000K	1240	89 lm/W				
			5000K	1220	87 lm/W				
		10W	2700K	900	90 lm/W				
			3000K	920	92 lm/W				
			3500K	940	94 lm/W				
			4000K	940	94 lm/W				
			5000K	920	92 lm/W				
		8W	2700K	750	94 lm/W				
			3000K	770	96 lm/W				
			3500K	790	99 lm/W				
			4000K	790	99 lm/W				
			5000K	770	96 lm/W				

* Preset to lowest CCT: 2700K
 Color Uniformity: CCT (Correlated Color Temperature) range as per guidelines outlined in ANSI C78.377-2017

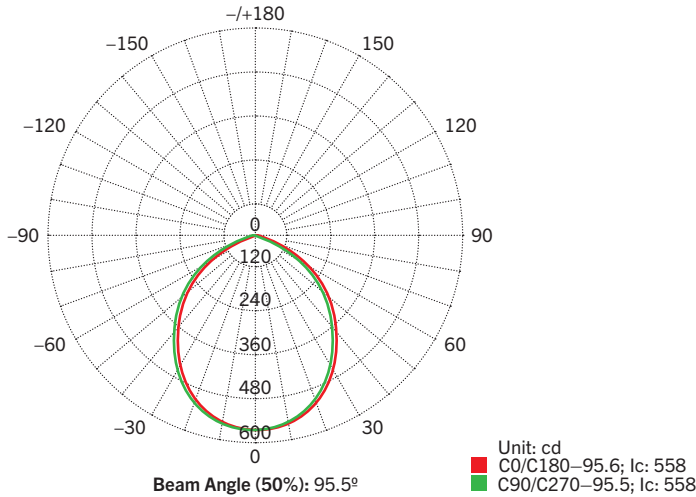


KT-LED14PSRD-6CB-9CSF-DIM

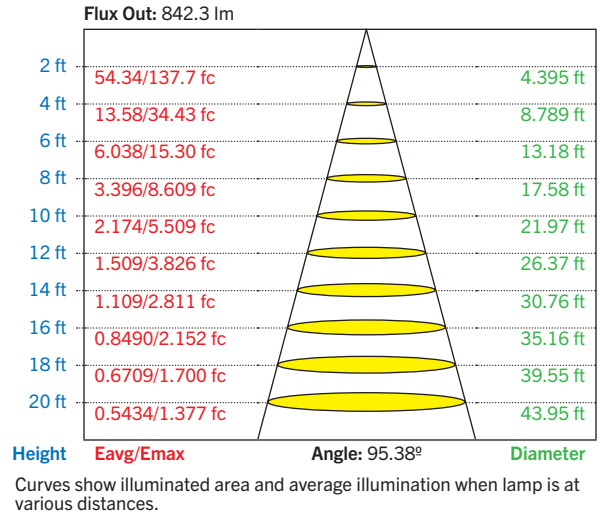
5" / 6" BAFFLED DOWNLIGHT RETROFIT TRIM

PHOTOMETRIC SPECIFICATIONS

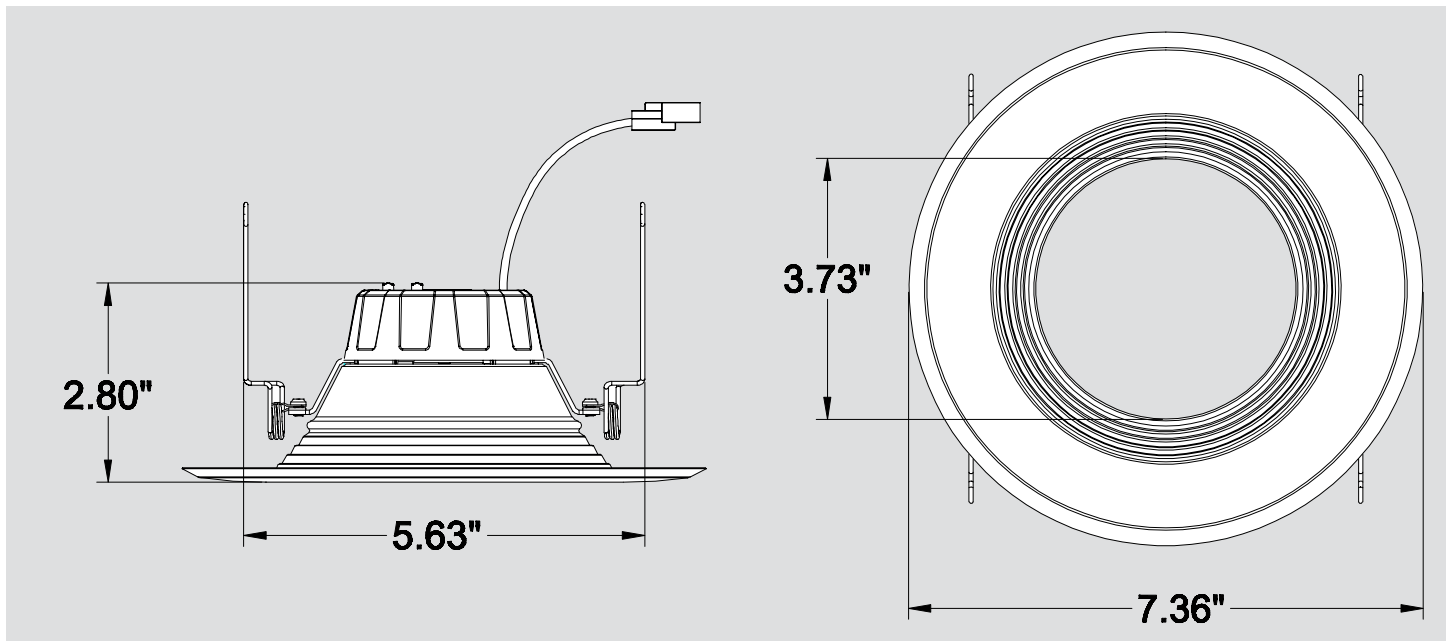
POLAR CANDELA DISTRIBUTION

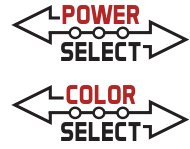


LUX DISTANCE CURVE



PHYSICAL SPECIFICATIONS





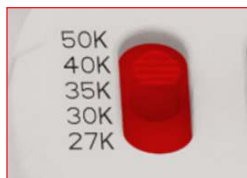
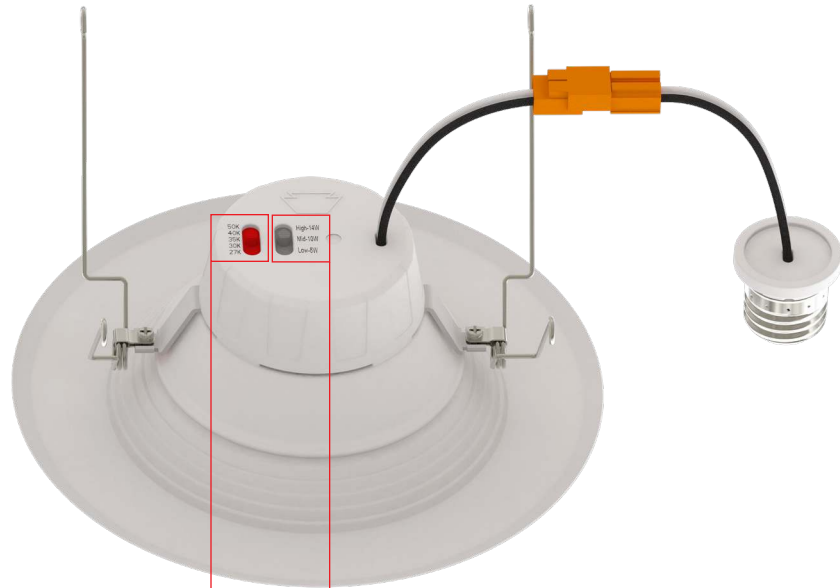
KT-LED14PSRD-6CB-9CSF-DIM

5" / 6" BAFFLED DOWNLIGHT RETROFIT TRIM

POWER SELECT (WATTAGE) AND COLOR SELECT (CCT) ADJUSTMENT

This fixture is equipped with field-adjustable Keystone Power Select and Color Select technology.

1. Ensure power is off to the fixture.
2. Adjust dip switches to desired settings.



COLOR SELECT ADJUSTMENT SWITCH
 Set dip switch to adjust CCT between 2700K, 3000K, 3500K, 4000K, and 5000K. Fixture comes preset at 2700K.



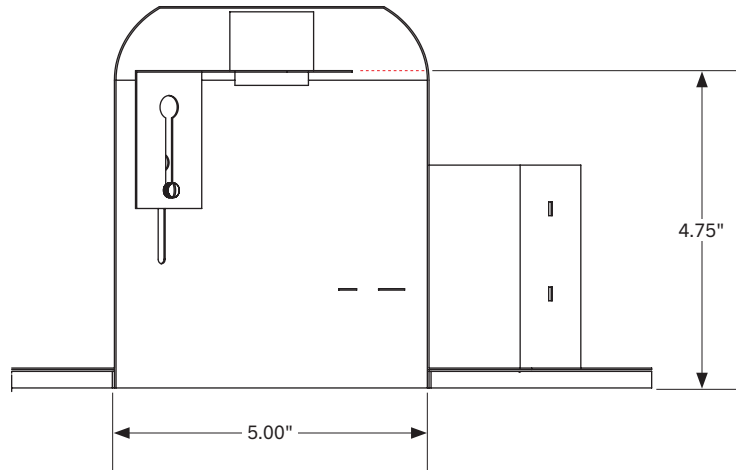
POWER SELECT ADJUSTMENT SWITCH
 Set dip switch to adjust wattage between 8W, 10W, and 14W. Fixture comes preset at 14W.

KT-LED14PSRD-6CB-9CSF-DIM

5" / 6" BAFFLED DOWNLIGHT RETROFIT TRIM

INSTALLATION INSTRUCTIONS

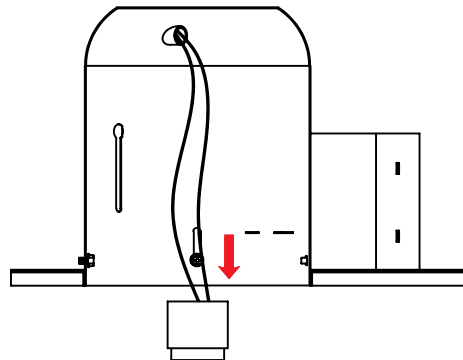
The existing luminaire housing must be equal to or larger than over-all inner dimensions illustrated below.



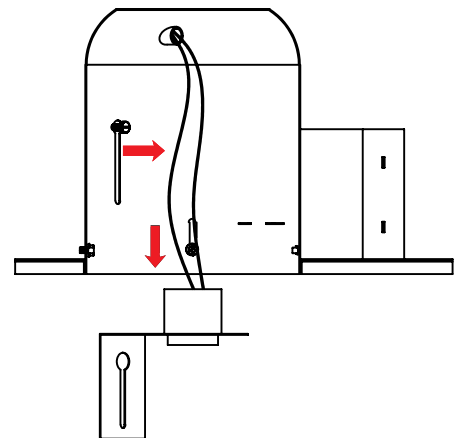
1. Shut off power at the source of the recessed housing into which you are installing fixture. Remove existing trim and CFL or incandescent bulb.

Note: Follow all federal and local regulations when disposing of lamps and removed components.

2. Unscrew the screws on socket bracket; push bracket upward to the top.



3. Remove existing socket mounting plate from the housing, then remove lamp socket from the plate.



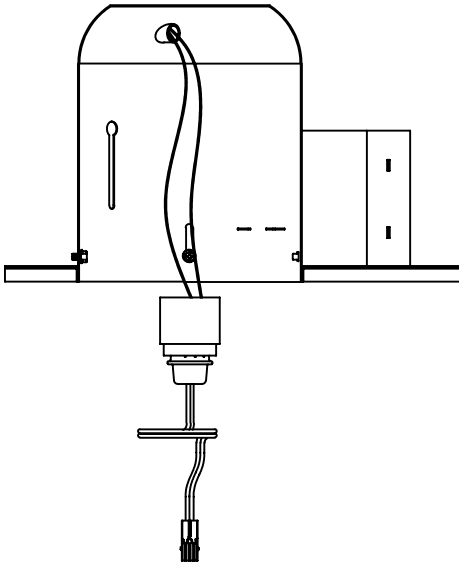
(Installation Instructions continued on next page)

KT-LED14PSRD-6CB-9CSF-DIM

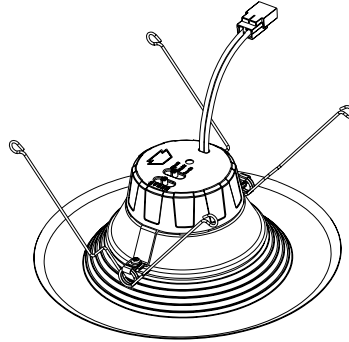
5" / 6" BAFFLED DOWNLIGHT RETROFIT TRIM

INSTALLATION INSTRUCTIONS (continued)

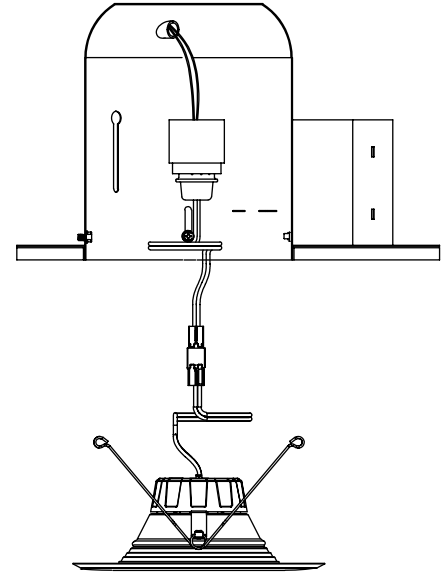
4. Screw E26 adaptor into the socket.



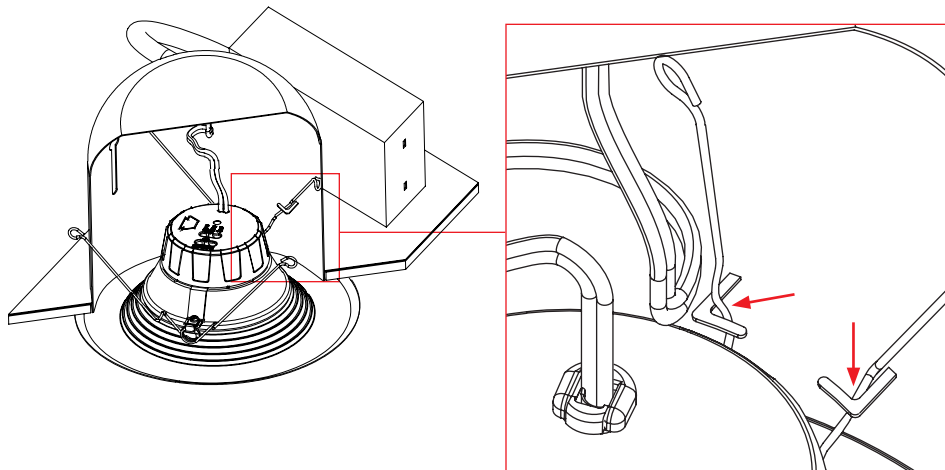
5. Select desired Wattage and CCT using adjustment switches on driver box (see *Power Select (Wattage) and Color Select (CCT) Adjustment* on page 3).



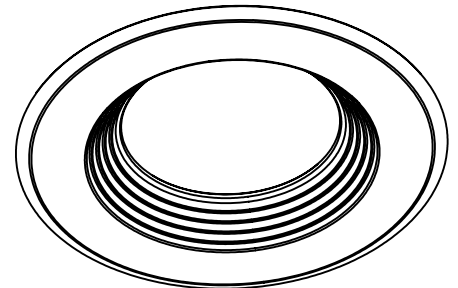
6. Plug E26 base cable connection into the recessed housing.

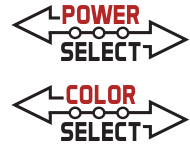


7. Squeeze torsion springs as shown and install into the metal brackets inside the recessed housing. For proper installation, the torsion springs should be seated within the brackets and on both sides of the housing.



8. Carefully place wires into the fixture, then push the LED trim into the housing until trim is flush with ceiling.





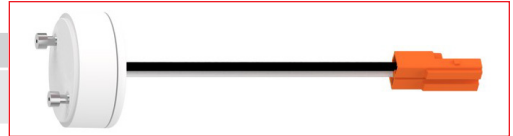
KT-LED14PSRD-6CB-9CSF-DIM

5" / 6" DOWNLIGHT RETROFIT TRIM

OPTIONAL ACCESSORIES (sold separately)

GU24 ADAPTOR

Catalog Number	Description	UPC	Easy Code
KT-ADPT-RD-GU24	GU24 Adaptor for downlight retrofit trim	843654137568	WTQ-04



TORSION-SPRING ADAPTOR

Catalog Number	Description	UPC	Easy Code
KT-ADPT-RD-6C-TS	Torsion-spring adaptor for 5" / 6" downlight retrofit trim	843654137667	GGR-44



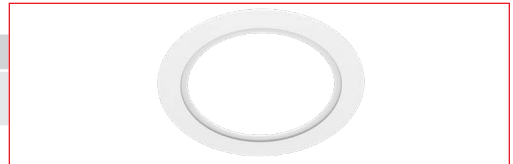
INTERCHANGEABLE TRIM

Catalog Number	Description	UPC	Easy Code
KT-TRIM-RD-6CB-MB	Interchangeable Trim for Baffled 5" / 6" Residential Circular Downlight, Matte Black	843654140742	GGG-71
KT-TRIM-RD-6CB-BR	Interchangeable trim for 5" / 6" circular downlight retrofit trim; Bronze	843654140766	TUJ-85
KT-TRIM-RD-6CB-BN	Interchangeable Trim for Baffled 5" / 6" Residential Circular Downlight, Brushed Nickel	843654140780	LSE-13



GOOF RING

Catalog Number	Description	UPC	Easy Code
KT-GOOF-RD-6C	Goof ring for 5" / 6" circular downlight; 10.51" diameter	843654137643	ECX-08



ORDERING INFORMATION

Catalog Number	Pack Qty.	UPC	Easy Code
KT-LED14PSRD-6CB-9CSF-DIM	1	843654140728	LON-29

CATALOG NUMBER BREAKDOWN

KT-LED14PSRD-6CB-9CSF-DIM

1 2 3 4 5 6 7 8 9 10 11

- 1 Keystone Technologies
- 2 LED Technology
- 3 Max Wattage
- 4 Power Selectable
- 5 Fixture Type
- 6 Nominal Size
- 7 Circular Baffled
- 8 90 CRI
- 9 Color Select
- 10 Color Select Designation
- 11 Dimming

5 Fixture Type	RD Recessed Downlight	6 Nominal Size	6 5" / 6" Nominal
10 Color Select Designation	F 2700/3000/3500/4000/5000K	11 Dimming	DIM TRIAC Dimmable