



# KT-LED11RD-6C-9CSF-DIM-G

## 5" / 6" DOWNLIGHT RETROFIT GIMBAL TRIM

### DESCRIPTION

5" / 6" Downlight Retrofit Gimbal Trim | Color Select Technology | Quick-Disconnect E26 Base

### APPLICATION

Ideal for residential, hospitality, retail, and other retrofit and new construction applications



### PRODUCT FEATURES

- Keystone Color Select technology offers SKU reduction and allows for easy, on-the-job adjustments: 2700K, 3000K, 3500K, 4000K, 5000K
- Includes quick-disconnect E26 base adaptor for easy install in retrofit applications
- Offers improved aesthetics vs. screw-in lamps while using the same easy, screw-in installation
- Ideal for retrofit, new construction, and remodel applications
- Suitable for a wide range of existing recessed can fixtures
- Smooth reflector trim offers clean, modern appearance
- Diffused lens reduces glare
- Gimbal construction features up to 30° vertical tilt, 350° horizontal rotation
- Powered by Keystone TRIAC dimming LED driver; 10–100% dimming
- Ambient operating temperature: –20°C/–4°F to 40°C/104°F
- Suitable for use in wet locations
- Power factor: >0.90
- THD: <20%
- FCC Part 15, Subpart B, Class B
- CEC Compliant Flicker Rate (CEC JA10 std.)

### PERFORMANCE SPECIFICATIONS

Catalog Number	Input Voltage	Wattage	CCT (Selectable)*	Lumen Output	Efficacy	CRI	Power Factor	Beam Angle	Lifetime
KT-LED11RD-6C-9CSF-DIM-G	120V	11W	2700K	1120	102 lm/W	>90	>0.9	95°	50,000 hrs
			3000K	1140	104 lm/W				
			3500K	1160	105 lm/W				
			4000K	1160	105 lm/W				
			5000K	1140	104 lm/W				

\* Preset to lowest CCT: 2700K  
 Color Uniformity: CCT (Correlated Color Temperature) range as per guidelines outlined in ANSI C78.377-2017

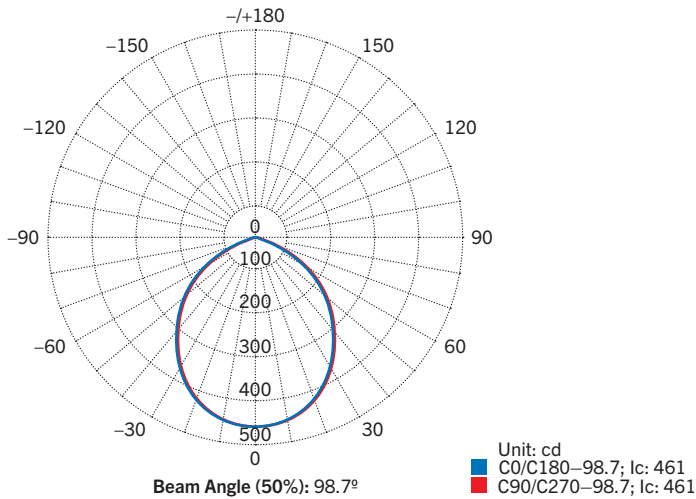


# KT-LED11RD-6C-9CSF-DIM-G

## 5" / 6" DOWNLIGHT RETROFIT GIMBAL TRIM

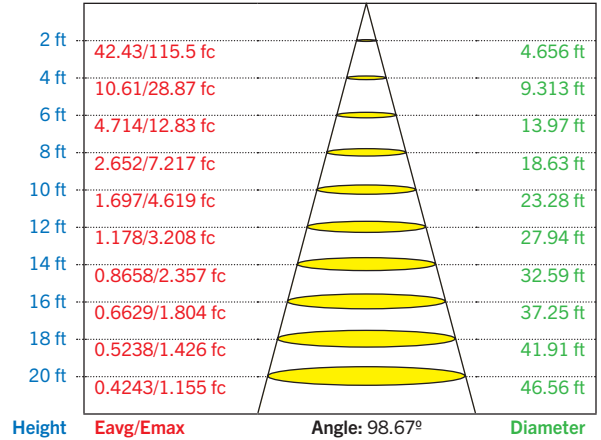
### PHOTOMETRIC SPECIFICATIONS

#### POLAR CANDELA DISTRIBUTION



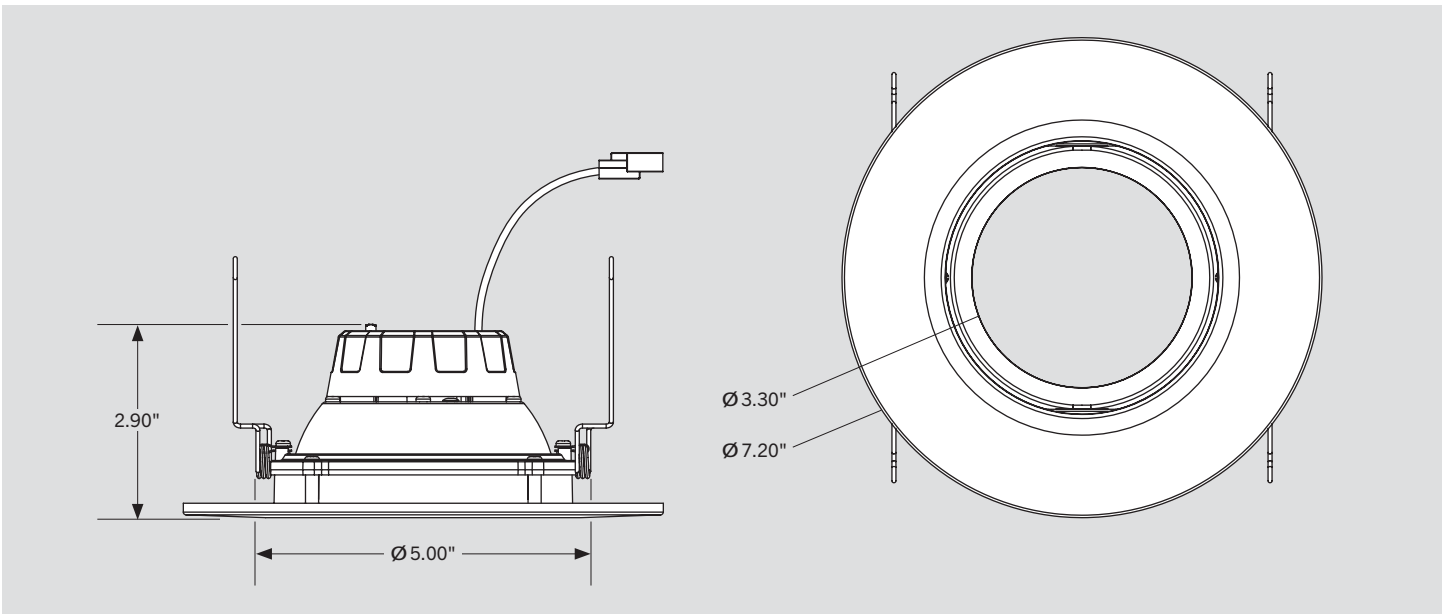
#### LUX DISTANCE CURVE

Flux Out: 757.2 lm



Curves show illuminated area and average illumination when lamp is at various distances.

### PHYSICAL SPECIFICATIONS





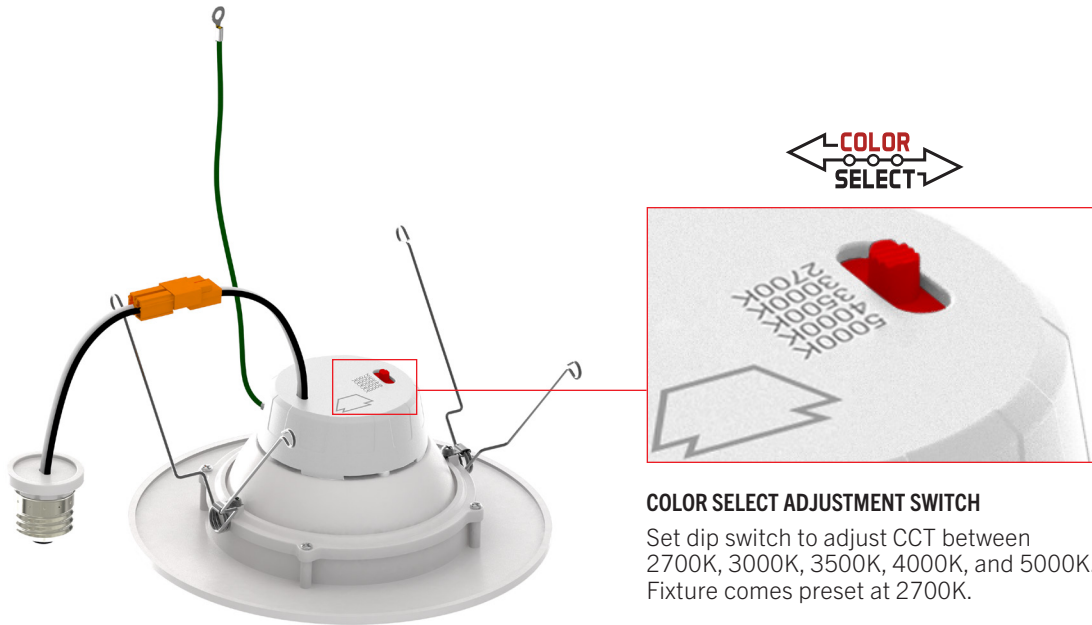
# KT-LED11RD-6C-9CSF-DIM-G

## 5" / 6" DOWNLIGHT RETROFIT GIMBAL TRIM

### COLOR SELECT (CCT) ADJUSTMENT

This fixture is equipped with field-adjustable Keystone Color Select technology.

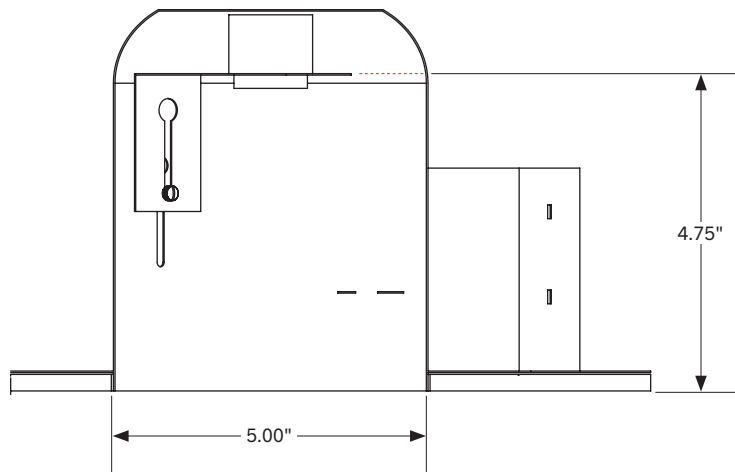
1. Ensure power is off to the fixture.
2. Adjust dip switch to desired setting.



**COLOR SELECT ADJUSTMENT SWITCH**  
 Set dip switch to adjust CCT between 2700K, 3000K, 3500K, 4000K, and 5000K. Fixture comes preset at 2700K.

### INSTALLATION INSTRUCTIONS

The existing luminaire housing must be equal to or larger than over-all inner dimensions illustrated below.



*(Installation Instructions continued on next page)*



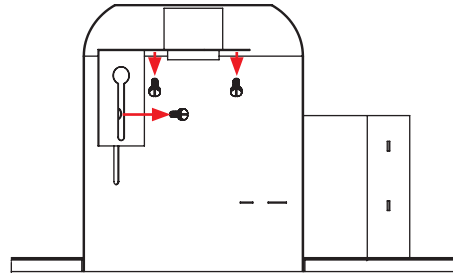
## KT-LED11RD-6C-9CSF-DIM-G 5" / 6" DOWNLIGHT RETROFIT GIMBAL TRIM

### INSTALLATION INSTRUCTIONS (continued)

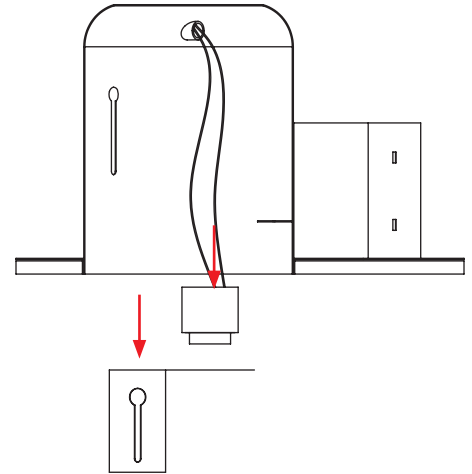
- 1. Shut off power at the source of the recessed housing into which you are installing fixture.** Remove existing trim and CFL or incandescent bulb.

*Note:* Follow all federal and local regulations when disposing of lamps and removed components.

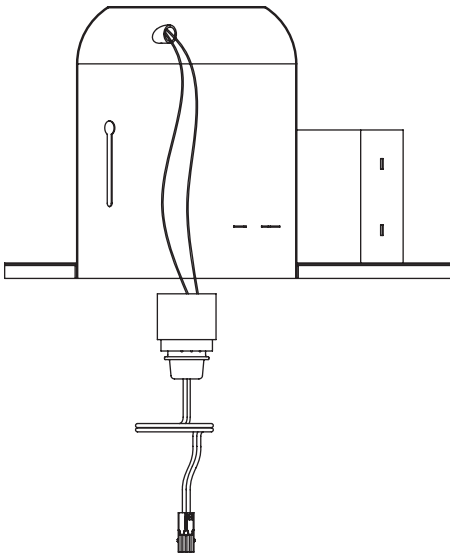
- 2. Unscrew the screws on socket bracket; push bracket upward to the top.**



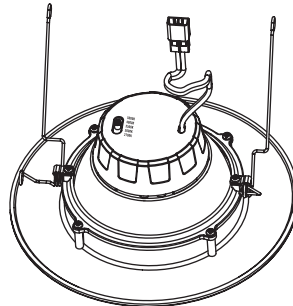
- 3. Remove existing socket mounting plate from the housing, then remove lamp socket from the plate.**



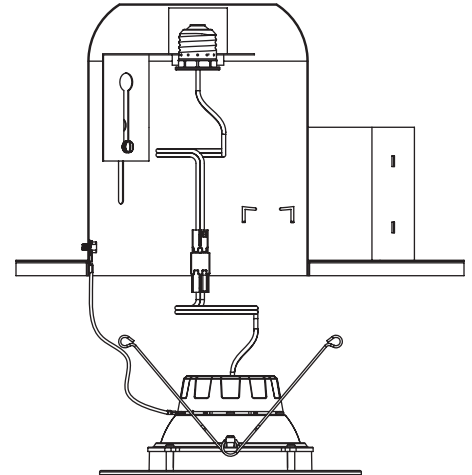
- 4. Screw E26 adaptor into the socket.**



- 5. Select desired CCT using adjustment switch on driver box (see *Color Select (CCT) Adjustment* on page 3).**



- 6. Plug E26 base cable connection into the recessed housing, ensuring that kit is grounded.**



(Installation Instructions continued on next page)

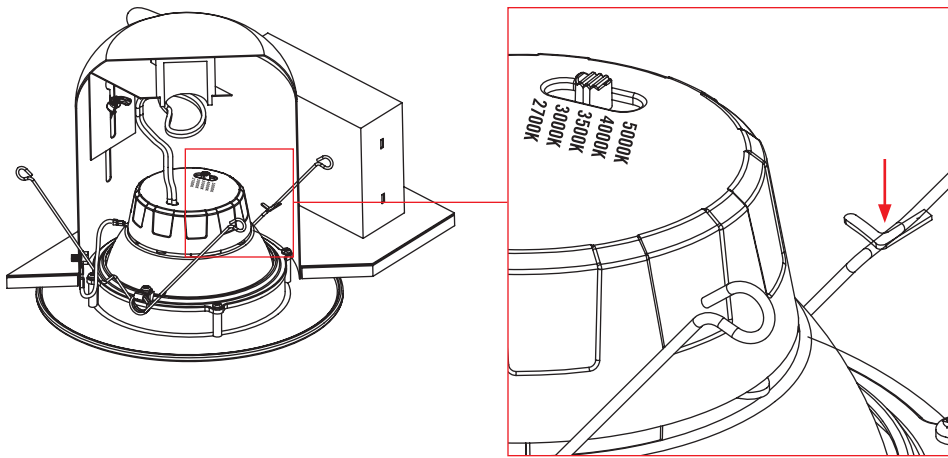


# KT-LED11RD-6C-9CSF-DIM-G

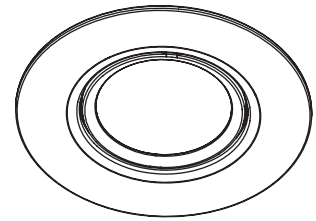
## 5" / 6" DOWNLIGHT RETROFIT GIMBAL TRIM

### INSTALLATION INSTRUCTIONS (continued)

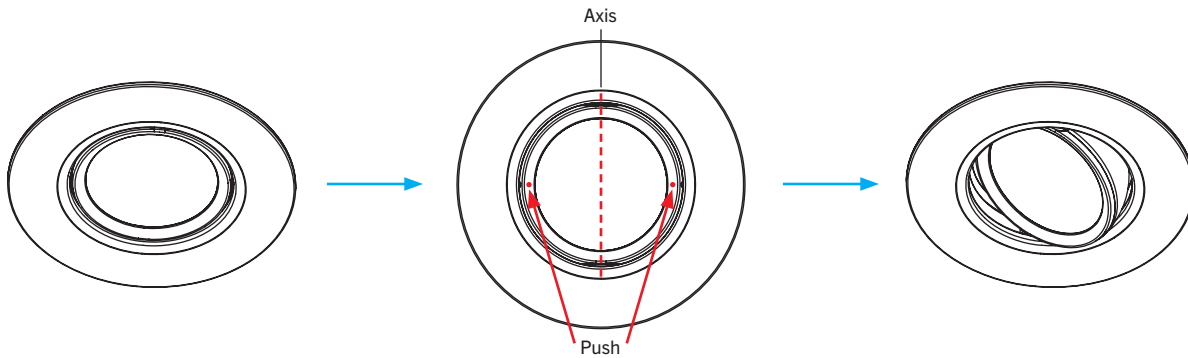
7. Squeeze torsion springs together as shown and install into torsion spring brackets inside recessed housing. For proper installation, the torsion springs should be seated within the brackets and on both sides of the housing.



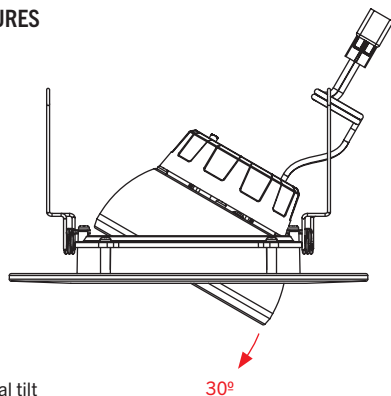
8. Carefully route wires into fixture and push recessed kit up flush to ceiling surface.



9. Push the edge of the bezel to tilt lens vertically and rotate lens assembly horizontally towards the surface to be illuminated.

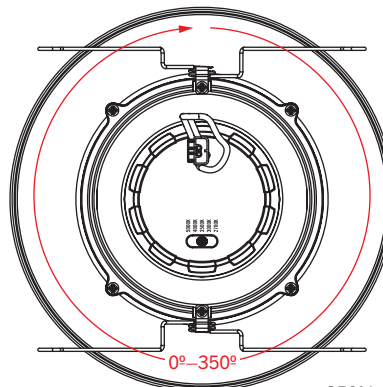


### GIMBAL FEATURES



Up to 30° vertical tilt

30°



350° horizontal rotation



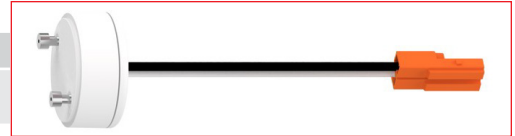
# KT-LED11RD-6C-9CSF-DIM-G

## 5" / 6" DOWNLIGHT RETROFIT GIMBAL TRIM

### OPTIONAL ACCESSORIES (sold separately)

#### GU24 ADAPTOR

Catalog Number	Description	UPC	Easy Code
KT-ADPT-RD-GU24	GU24 Adaptor for downlight retrofit gimbal trim	843654137568	WTQ-04



#### TORSION-SPRING ADAPTOR

Catalog Number	Description	UPC	Easy Code
KT-ADPT-RD-6C-TS	Torsion-spring adaptor for 5" / 6" downlight retrofit gimbal trim	843654137667	GGR-44



### ORDERING INFORMATION

Catalog Number	Pack Qty.	UPC	Easy Code
KT-LED11RD-6C-9CSF-DIM-G	1	843654137483	PLO-50

### CATALOG NUMBER BREAKDOWN

# KT-LED11RD-6C-9CSF-DIM-G

1 2 3 4 5 6 7 8 9 10 11

- 1 Keystone Technologies
- 2 LED Technology
- 3 Wattage
- 4 Fixture Type
- 5 Nominal Size
- 6 Shape
- 7 CRI
- 8 Special Indicator
- 9 Color Select Designation
- 10 Dimming
- 11 Gimbal Construction

#### 4 Fixture Type

RD Recessed Downlight

#### 5 Nominal Size

6 5" / 6" Nominal

#### 6 Shape

C Circular

#### 7 CRI

9 90

#### 8 Special Indicator

CS Color Select Technology

#### 9 Color Select Designation

F 2700K, 3000K, 3500K, 4000K, 5000K

#### 10 Dimming

DIM TRIAC Dimmable