



# KT-LED11DL-6C-9CSH-DIM

## 6" SURFACE MOUNT DISK LIGHT

### DESCRIPTION

6" Surface Mount Disk Light | Color Select Technology | Quick-Disconnect E26 Base

### APPLICATION

Ideal for residential, hospitality, retail, and other retrofit and new construction applications



### PRODUCT FEATURES

- Keystone Color Select technology offers SKU reduction and allows for easy, on-the-job adjustments: 2700K, 3000K, 4000K, 5000K
- Includes quick-disconnect E26 base adaptor for easy install in retrofit applications
- Offers improved aesthetics vs. screw-in lamps with the same easy, screw-in installation
- Ideal for retrofit, new construction, and remodel applications
- Suitable for a wide range of existing cans or junction box installations
- Flush-mount offers clean, modern appearance
- Diffused lens reduces glare
- Powered by Keystone TRIAC dimming LED driver; 10–100% dimming
- Ambient operating temperature: –30°C/–22°F to 40°C/104°F
- Suitable for use in wet locations
- Power factor: >0.90
- THD: <20%
- FCC Part 15, Subpart B, Class B

### PERFORMANCE SPECIFICATIONS

Catalog Number	Input Voltage	Wattage	CCT (Selectable)*	Lumen Output	Efficacy	CRI	Power Factor	Beam Angle	Lifetime
KT-LED11DL-6C-9CSH-DIM	120V	11W	2700K	1010	92 lm/W	>90	>0.9	110°	50,000 hrs
			3000K	1080	98 lm/W				
			4000K	1170	106 lm/W				
			5000K	1130	103 lm/W				

\* Preset to lowest CCT: 2700K  
Color Uniformity: CCT (Correlated Color Temperature) range as per guidelines outlined in ANSI C78.377-2017

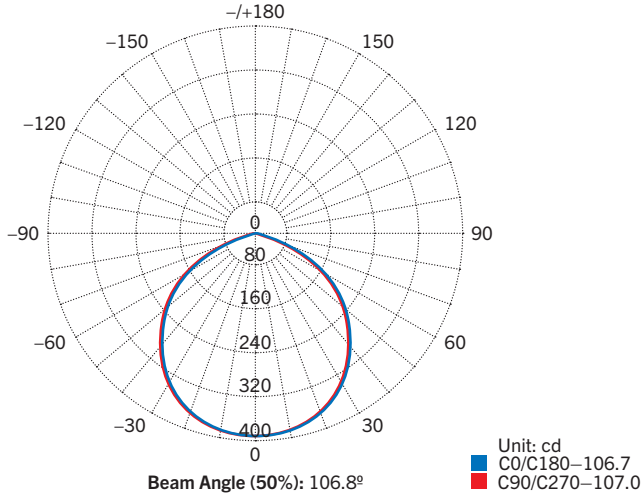


# KT-LED11DL-6C-9CSH-DIM

## 6" SURFACE MOUNT DISK LIGHT

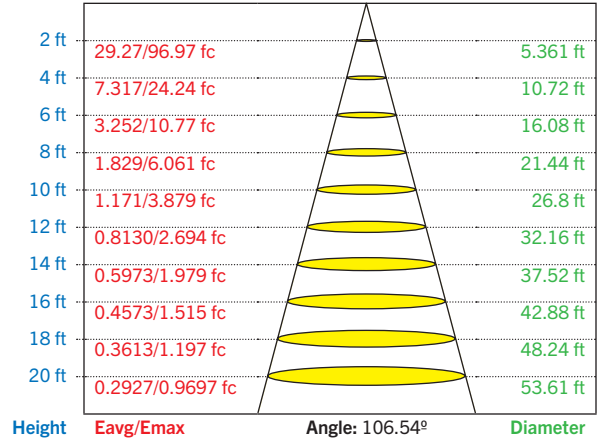
### PHOTOMETRIC SPECIFICATIONS

#### POLAR CANDELA DISTRIBUTION



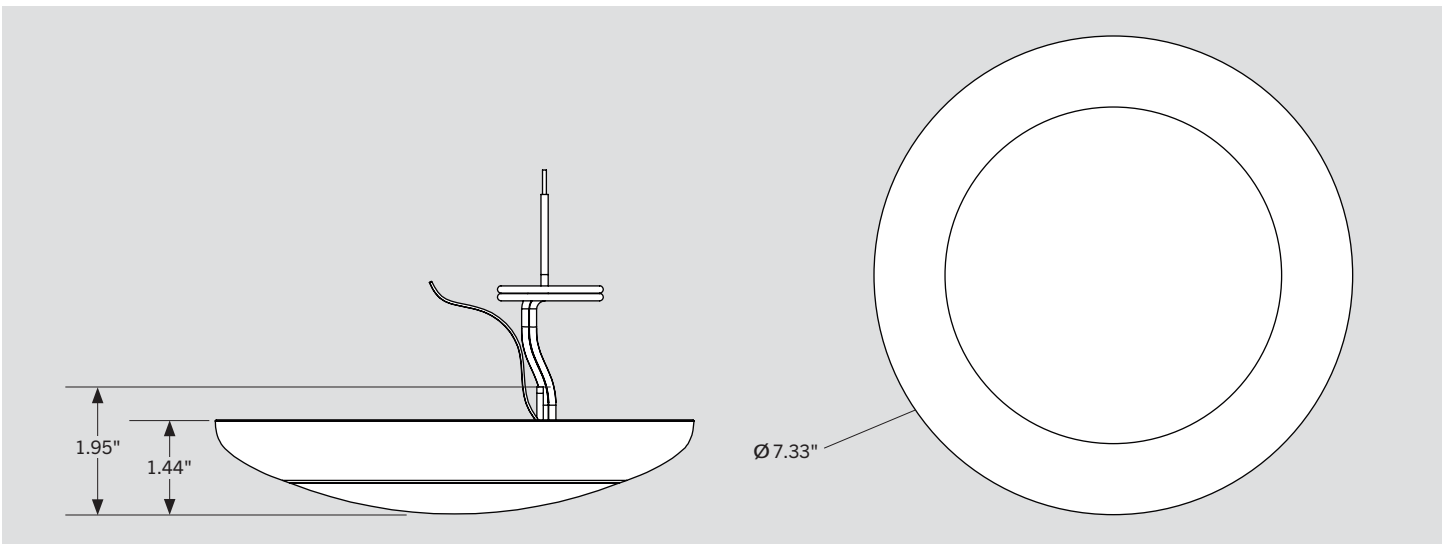
#### LUX DISTANCE CURVE

Flux Out: 750.2 lm

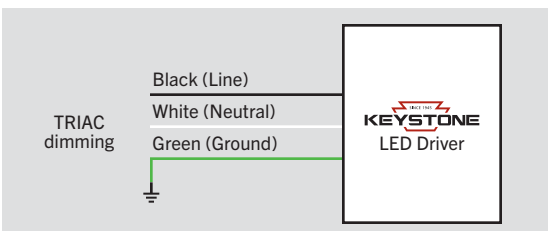


Curves show illuminated area and average illumination when lamp is at various distances.

### PHYSICAL SPECIFICATIONS



### GENERAL WIRING DIAGRAM



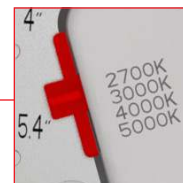
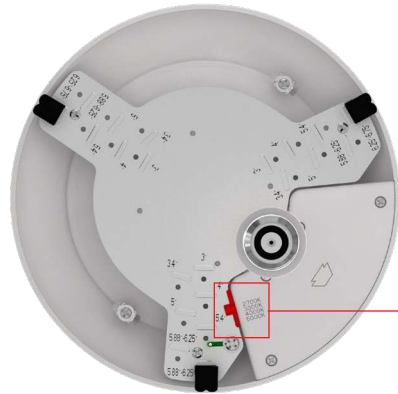


## KT-LED11DL-6C-9CSH-DIM 6" SURFACE MOUNT DISK LIGHT

### COLOR SELECT (CCT) ADJUSTMENT

This fixture is equipped with field-adjustable Keystone Color Select technology.

1. Ensure power is off to the fixture.
2. Adjust dip switch to desired setting.



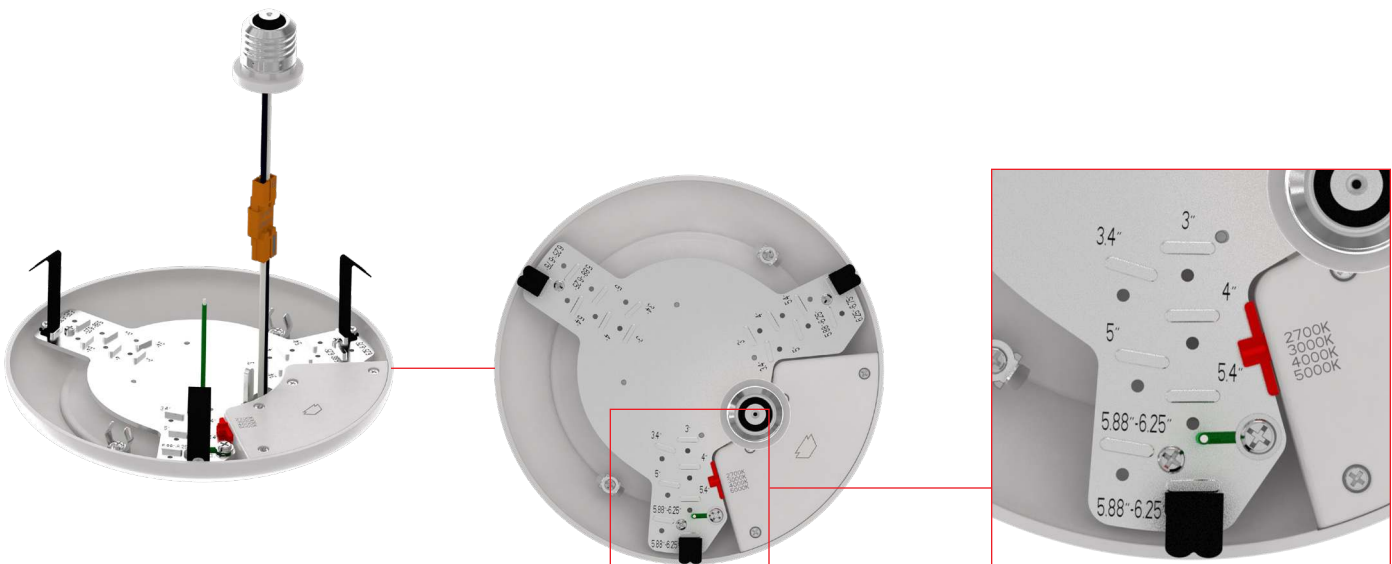
### COLOR SELECT ADJUSTMENT SWITCH

Set dip switch to adjust CCT between 2700K, 3000K, 4000K, and 5000K. Fixture comes preset at 2700K.

### FRICTION CLIPS POSITIONING

Measure J-Box/housing internal diameter and adjust spring clip position to achieve a tight fit.

**Note:** Mounting spring clips incorrectly in positions larger than measured internal diameter may cause breakage of the spring clips during installation.





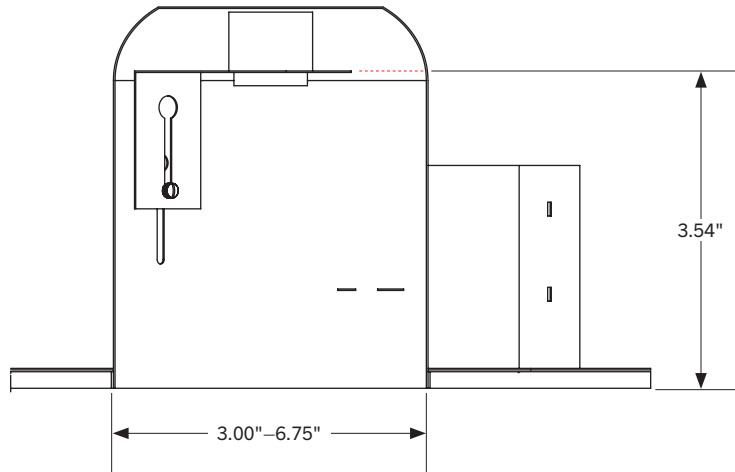
## KT-LED11DL-6C-9CSH-DIM

### 6" SURFACE MOUNT DISK LIGHT

#### INSTALLATION INSTRUCTIONS

##### INSTALLATION WITH EXISTING HOUSING

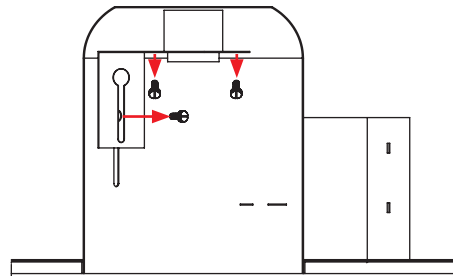
The existing luminaire housing must be equal to or larger than over-all inner dimensions illustrated below (compatible with most 3", 4", 5", and 6" recessed housings).



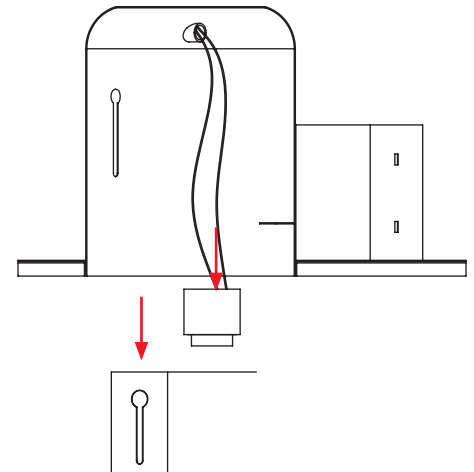
1. Shut off power at the source of the recessed housing into which you are installing fixture. Remove existing trim and CFL or incandescent bulb.

**Note:** Follow all federal and local regulations when disposing of lamps and removed components.

2. Unscrew the screws on socket bracket; push bracket upward to the top.



3. Remove existing socket mounting plate from the housing, then remove lamp socket from the plate.



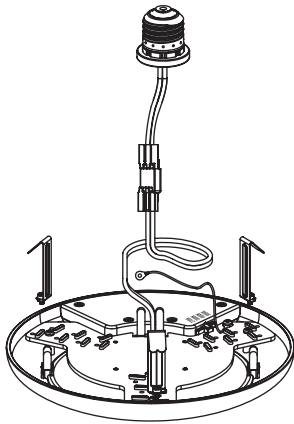
(Installation Instructions continued on next page)

## KT-LED11DL-6C-9CSH-DIM 6" SURFACE MOUNT DISK LIGHT

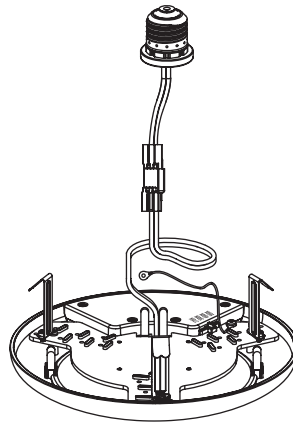
### INSTALLATION INSTRUCTIONS (continued)

#### INSTALLATION WITH EXISTING HOUSING (continued)

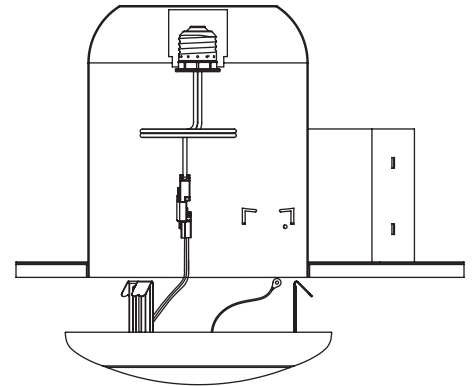
4. Measure housing internal diameter and adjust friction clip positions (see *Friction Clips Positioning* on page 3).



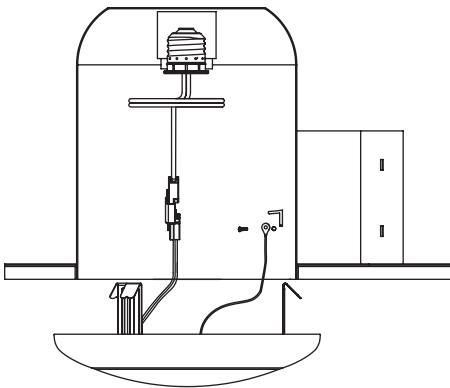
5. Select desired CCT using adjustment switch on disk base (see *Color Select (CCT) Adjustment* on page 3).



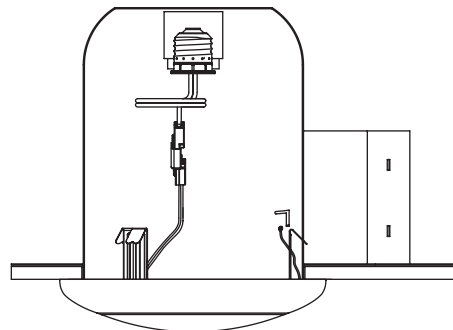
6. Screw E26 base adaptor into the recessed housing.



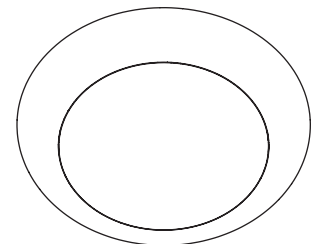
7. Secure fixture ground (green) wire to the recessed housing.



8. Guide the disk light into the housing for a tight fit.



9. Push the disk light up until light is flush with ceiling.



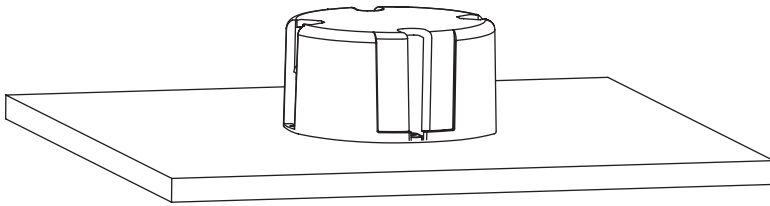
(Installation Instructions continued on next page)

## KT-LED11DL-6C-9CSH-DIM 6" SURFACE MOUNT DISK LIGHT

### INSTALLATION INSTRUCTIONS (continued)

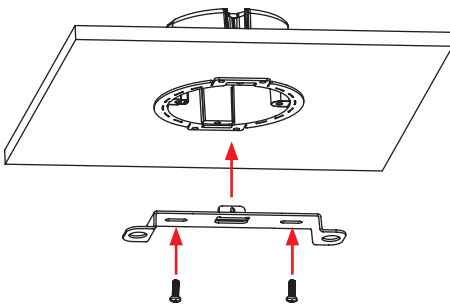
#### INSTALLATION WITH J-BOX

The existing J-Box must be equal to or larger than these over-all inner dimensions:  
 Minimum volume: 12.56"<sup>3</sup>; Minimum length: 3.2"; Minimum height: 1.57"  
 (compatible with standard J-Box).



- 1. Shut off power at the source of the J-Box into which you are installing fixture.** Ensure that J-Box is securely fixed on the ceiling surface.

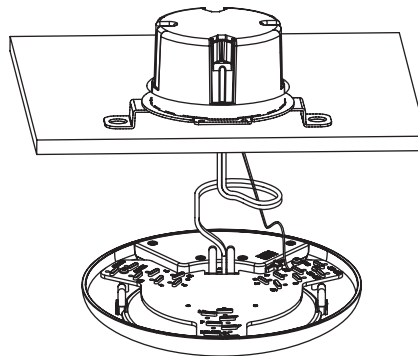
- 2. Lock the bracket on existing J-Box with two screws.**



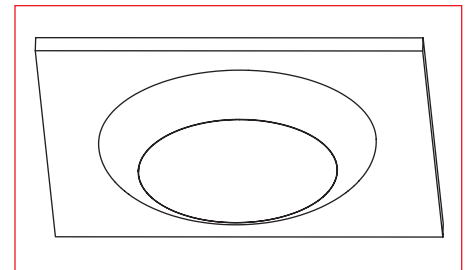
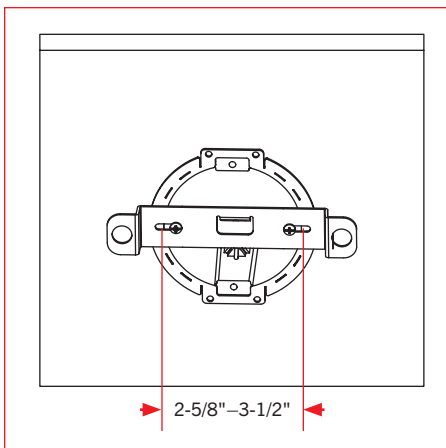
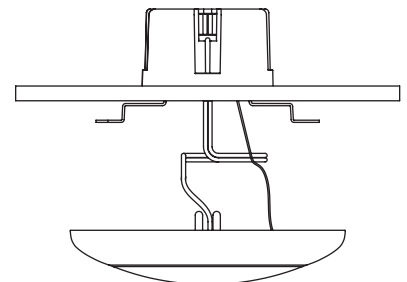
- 3. Ensure that live (black), neutral (white), and ground (green) wires are accessible from J-Box.**

Wire nut live (black) wire with disk light black wire, wire nut neutral (white) wire with disk light white wire, and wire nut ground (green) with disk light ground (green) wire.

Select desired CCT using adjustment switch on disk base (see *Color Select (CCT) Adjustment* on page 3).



- 4. Carefully tuck wires inside J-Box, align springs with bracket center and push disk light up inside J-Box until flush with the ceiling surface.**





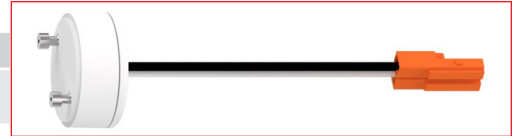
# KT-LED11DL-6C-9CSH-DIM

## 6" SURFACE MOUNT DISK LIGHT

**OPTIONAL ACCESSORY** (sold separately)

**GU24 ADAPTOR**

Catalog Number	Description	UPC	Easy Code
KT-ADPT-RD-GU24	GU24 Adaptor for surface mount disk light	843654137568	WTQ-04



**ORDERING INFORMATION**

Catalog Number	Pack Qty.	UPC	Easy Code
KT-LED11DL-6C-9CSH-DIM	1	843654137544	JRX-98

**CATALOG NUMBER BREAKDOWN**

# KT-LED11DL-6C-9CSH-DIM

- 1
- 2
- 3
- 4
- 5
- 6
- 7
- 8
- 9
- 10

- 1 Keystone Technologies
- 2 LED Technology
- 3 Wattage
- 4 Fixture Type
- 5 Nominal Size
- 6 Shape
- 7 CRI
- 8 Special Indicator
- 9 Color Select Designation
- 10 Dimming

<b>4 Fixture Type</b>	<b>5 Nominal Size</b>	<b>6 Shape</b>	<b>7 CRI</b>
DL   Disk Light	6   6" Nominal	C   Circular	9   90
<b>8 Special Indicator</b>	<b>9 Color Select Designation</b>	<b>10 Dimming</b>	
CS   Color Select Technology	H   2700K, 3000K, 4000K, 5000K	DIM   TRIAC Dimmable	