



# KT-ALED60PS-D2D-WM-8CSB-VDIM

## DUSK-TO-DAWN LED AREA LIGHT FIXTURES

**DESCRIPTION**

Compact Dusk-to-Dawn LED Area Light |  
 Power Select 60W/40W/30W all in one |  
 Color Select 5000K/4000K/3000K all in one |  
 120–277V Input | Gray Housing

**APPLICATION**

Arm-mount or structure-mount outdoor illumination needs (including barns, garages, parking areas, and other general purpose or security lighting requirements)



**PRODUCT FEATURES**

- Compact design matches appearance and light distribution of legacy HID, optimized for one for one replacements
- Heavy-duty, die-cast aluminum housing with ample heat sinking for enhanced thermal performance
- 3-pin twist-lock photocell included along with integrated NEMA/ANSI C136.10 3-pin twist-lock receptacle
- Keystone Power Select Technology allows fixture to be set to 60W, 40W, or 30W settings
- Keystone Color Select Technology features adjustable CCT: 5000K, 4000K, or 3000K
- Impact resistant and highly diffused poly carb lens with anti-yellowing agent, offers reduced glare for low mounting height applications
- UL Certified for wet locations, IP65
- Mounts directly to a structure OR a pole arm of 1 5/8” – 2 3/8” diameter with universal clamp
- Powered by Keystone 0–10V dimming LED driver
- Ambient operating temperature: –40°C/–40°F to 50°C/122°F
- 0–10V dimming, 10% min
- Power factor: >0.95
- THD: <20%
- LED chip lifetime: L70 >100,000 hrs @ 25C°/77F° ambient fixture temp
- Meets FCC Part 15, Part B, Class A standards for conducted and radiated emissions

**ELECTRICAL SPECIFICATIONS**

Catalog Number	Selectable Wattage	Selectable CCT	Lumens	Efficacy	Input Voltage	Housing Color	Distribution	DLC	CRI	Metal Halide Equivalent
KT-ALED60PS-D2D-WM-8CSB-VDIM	60W	3000K	9000	150 lm/W	120–277V	Gray	V	Yes	>80	150–250W MH
		4000K	9250	154 lm/W						
		5000K	9120	152 lm/W						
	40W	3000K	6640	166 lm/W						
		4000K	6850	171 lm/W						
		5000K	6720	168 lm/W						
	30W	3000K	5010	167 lm/W						
		4000K	5200	173 lm/W						
		5000K	5100	170 lm/W						



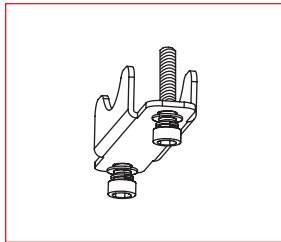
# KT-ALED60PS-D2D-WM-8CSB-VDIM

## DUSK-TO-DAWN LED AREA LIGHT FIXTURES

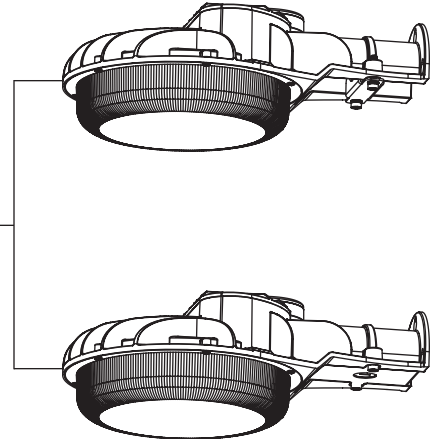
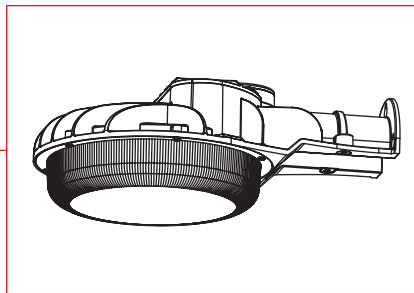
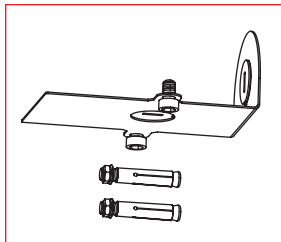
### MOUNTING OPTIONS

Two different mounting accessories are included with this fixture. Use the proper accessory for the application you choose.

#### Pole Arm Mount



#### Structure Mount



### 24" CURVED POLE ARM KIT (SOLD SEPARATELY)

Catalog Number	Description	UPC	Easy Code
KT-ALED-CA-D2D-KIT	24" Curved Arm Mounting Pole, for Dusk-to-Dawn Area Light; Gray	843654131665	BFC-98





# KT-ALED60PS-D2D-WM-8CSB-VDIM

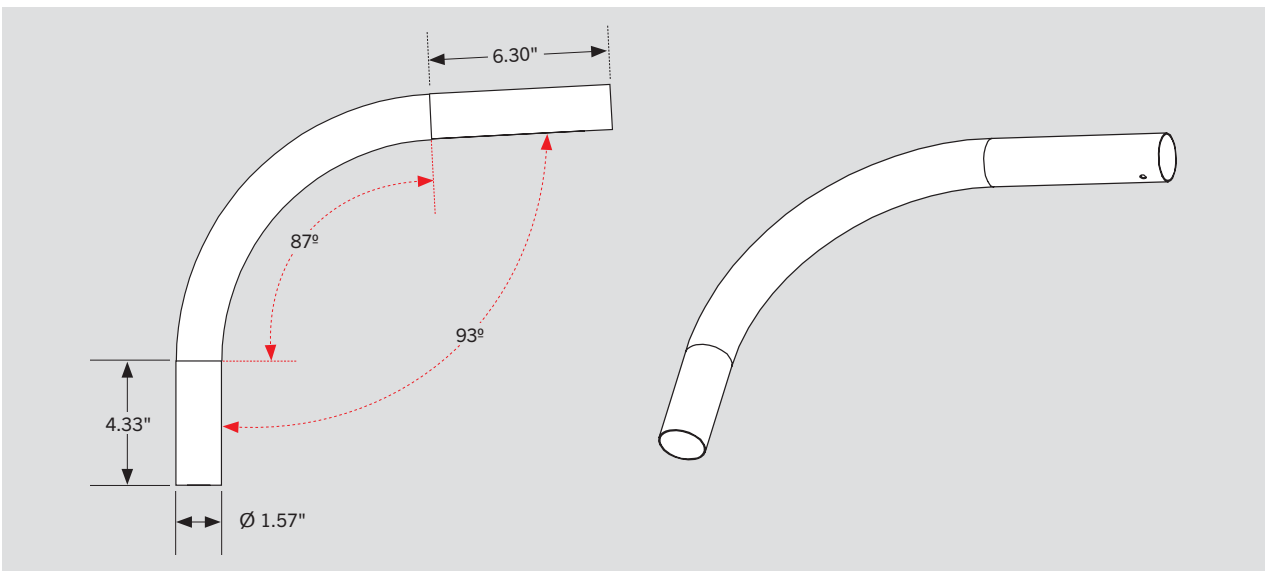
## DUSK-TO-DAWN LED AREA LIGHT FIXTURES

**PHYSICAL SPECIFICATIONS**

**ARM-MOUNT FIXTURE**

PACKAGING	
Carton Quantity	1 piece
Carton Dimensions	14.96"H x 12.4"W x 17.12"L
Carton Weight	2.3 lbs

**24" CURVED POLE ARM (SOLD SEPARATELY)**



*(Physical Specifications continued on next page)*

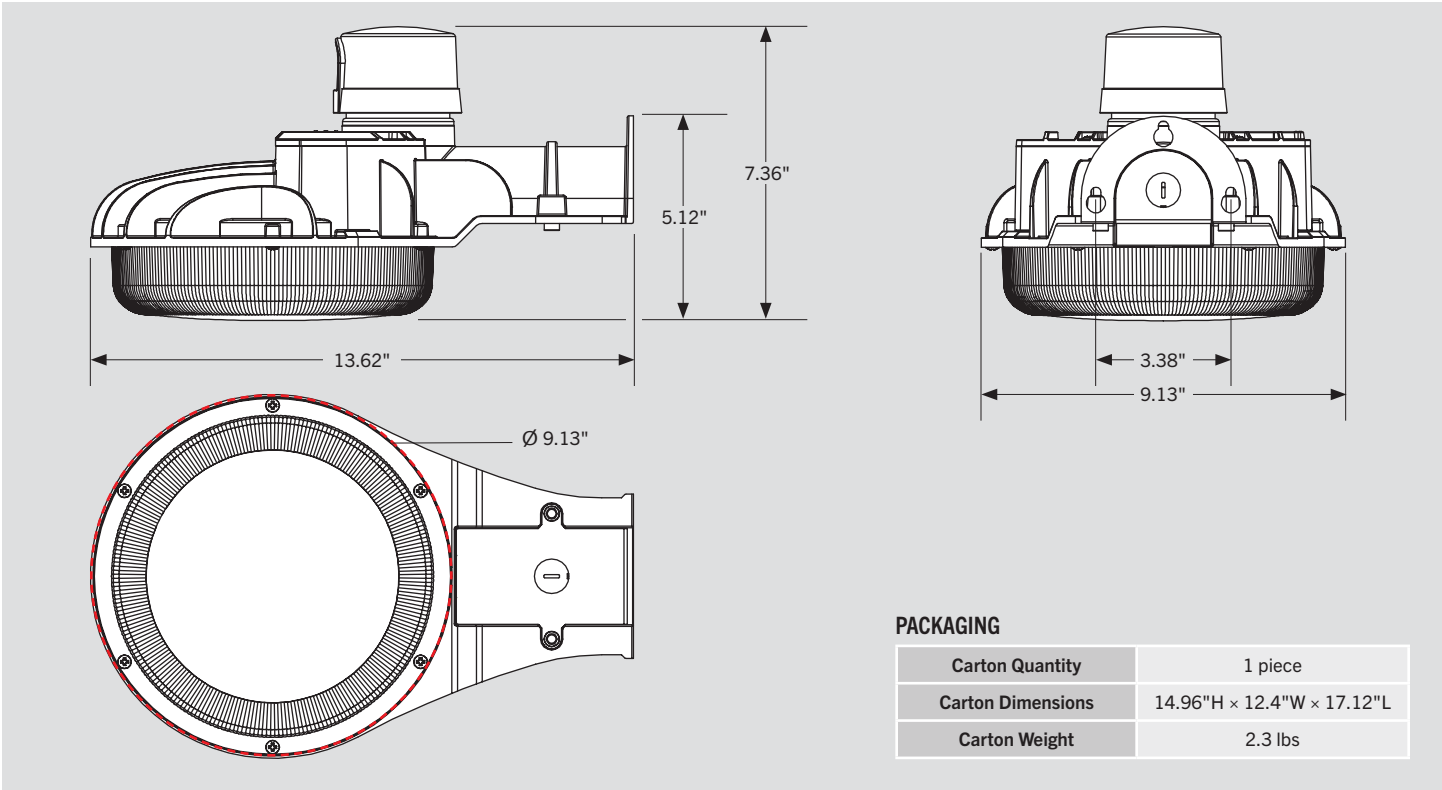


# KT-ALED60PS-D2D-WM-8CSB-VDIM

## DUSK-TO-DAWN LED AREA LIGHT FIXTURES

**PHYSICAL SPECIFICATIONS (continued)**

**STRUCTURE-MOUNT FIXTURE**



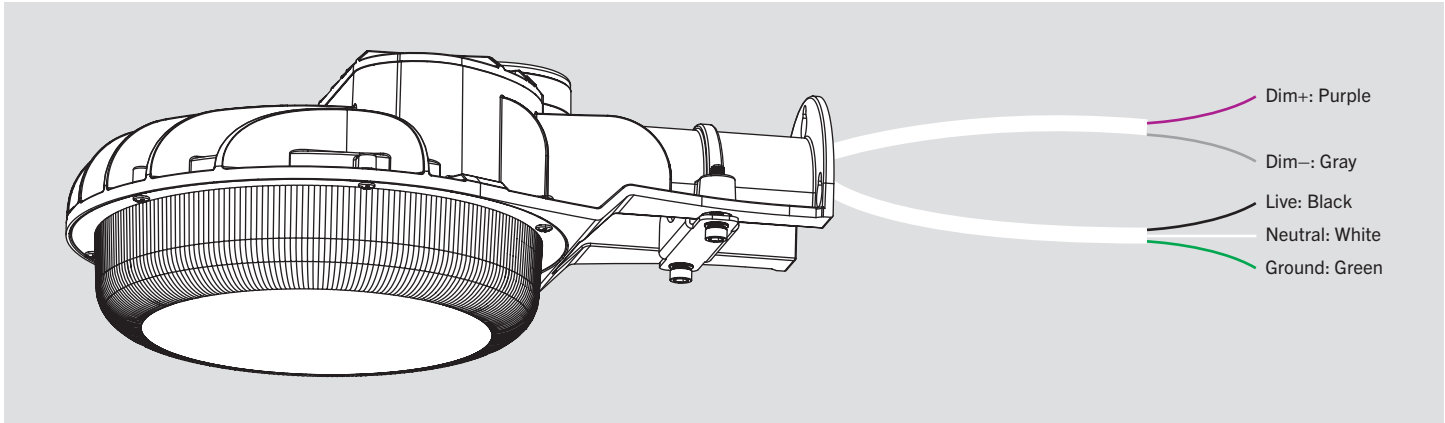
**PACKAGING**

Carton Quantity	1 piece
Carton Dimensions	14.96"H x 12.4"W x 17.12"L
Carton Weight	2.3 lbs

## KT-ALED60PS-D2D-WM-8CSB-VDIM

### DUSK-TO-DAWN LED AREA LIGHT FIXTURES

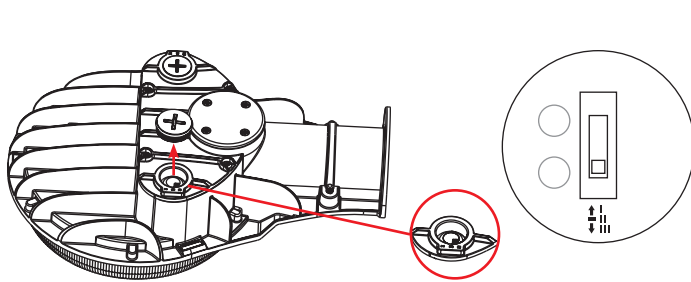
#### WIRING DIAGRAM



- This fixture comes pre-wired with a 3-pin Twist-Lock Receptacle. Make input connections as needed and ensure connections are protected from exposure to the elements.
- Input voltage rating: 120–277V
- Ensure that input voltage on site matches the fixture you intend to install.

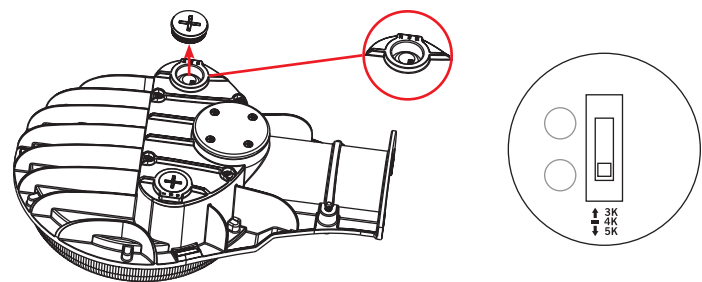
#### POWER SELECT (WATTAGE) ADJUSTMENT

This fixture is equipped with Keystone Power Select technology. An adjustable dip switch behind the knock-out (KO) cover changes power between 60W (III), 40W (II), and 30W (I). Fixture comes preset at 60W unless otherwise noted.



#### COLOR SELECT (CCT) ADJUSTMENT

This fixture is equipped with Keystone Color Select technology. An adjustable dip switch behind the knock-out (KO) cover changes CCT between 5000K, 4000K, and 3000K. Fixture comes preset at 5000K unless otherwise noted.



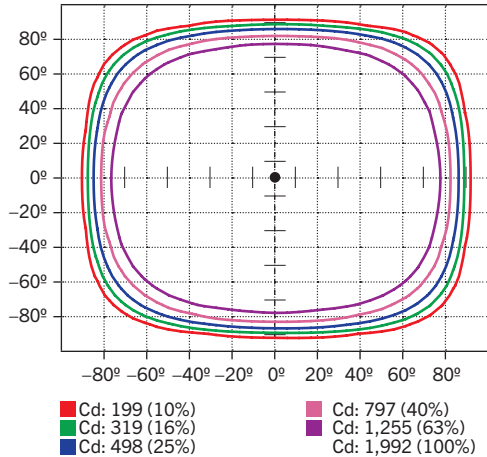


# KT-ALED60PS-D2D-WM-8CSB-VDIM

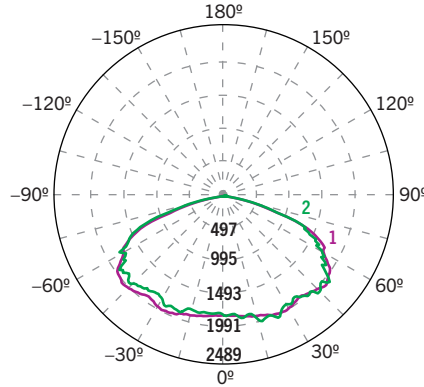
## DUSK-TO-DAWN LED AREA LIGHT FIXTURES

### PHOTOMETRIC SPECIFICATIONS

#### ISOCANDELA PLOT



#### LUMINOUS INTENSITY DISTRIBUTION



#### FLUX DISTRIBUTION

Zone	Lumens	% Luminaire
<b>Forward Light</b>	4,121 lm	49.3%
0°-30°	783 lm	9.4%
30°-60°	2,166 lm	25.9%
60°-80°	1,111 lm	13.3%
80°-90°	60 lm	0.7%
<b>Back Light</b>	4,120 lm	49.2%
0°-30°	759 lm	9.1%
30°-60°	2,121 lm	25.4%
60°-80°	1,171 lm	14.0%
80°-90°	68 lm	0.8%
<b>Up Light</b>	126 lm	1.5%
90°-100°	43 lm	0.5%
100°-180°	83 lm	1.0%

BUG* Rating	
<b>Asymmetrical Luminaire Types</b>	
Type I, II, III, IV	B3 U3 G3
<b>Quadrilateral Symmetrical Luminaire Types</b>	
Type V, Area Light	B3 U3 G1

\* Backlight, Uplight, Glare

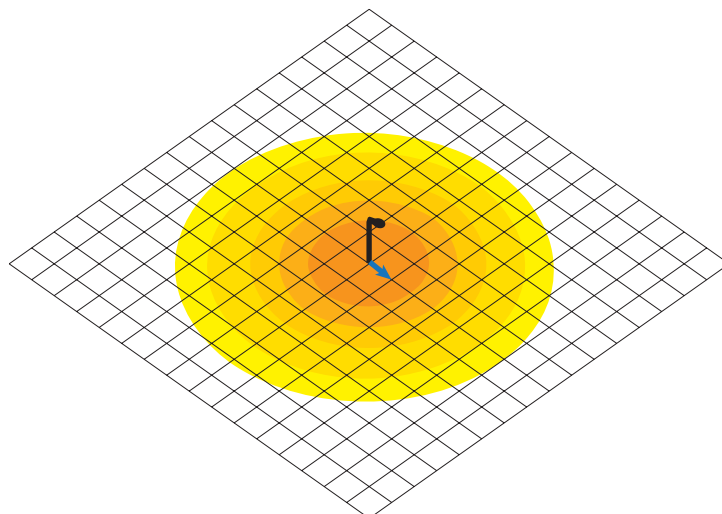
### LIGHT DISTRIBUTION PATTERN (TYPE 5 [V])

#### DUSK-TO-DAWN

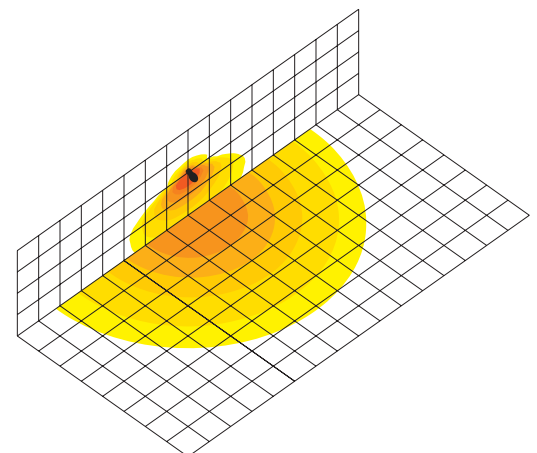
- Photometric layout for general reference only
- Grid dimension: 10 × 10 sq ft

- 0.1 fc
- 0.2 fc
- 0.5 fc
- 1.0 fc
- 2.0 fc
- 5.0 fc
- 10.0 fc

Arm-mount view from above; Area light mounted at 20'



Structure-mount view from above; Area light mounted at 20'





# KT-ALED60PS-D2D-WM-8CSB-VDIM

## DUSK-TO-DAWN LED AREA LIGHT FIXTURES

**ORDERING INFORMATION**

ORDER CODE	PACK QTY.	UPC	Easy Code	DLC PRODUCT ID
KT-ALED60PS-D2D-WM-8CSB-VDIM	1	843654131603	FER-43	P1W0W62N

**CATALOG NUMBER BREAKDOWN**

# KT-ALED60PS-D2D-WM-8CSB-VDIM

<b>1</b>	<b>2</b>	<b>3</b>	<b>4</b>	<b>5</b>	<b>6</b>	<b>7</b>	<b>8</b>	<b>9</b>	<b>10</b>
<b>1 Keystone Technologies</b>	<b>2 Fixture Type</b>	<b>3 LED Technology</b>	<b>4 Max Wattage</b>	<b>5 Special Indicator</b>	<b>6 Size/Shape</b>	<b>7 Mounting</b>	<b>8 CRI</b>	<b>9 Color Temp</b>	<b>10 Dimming</b>
<b>2 Fixture Type</b>	<b>A</b> Area Light	<b>3 LED Technology</b>	<b>4 Max Wattage</b>	<b>PS</b> Power Select Technology (120–277V)	<b>6 Size/Shape</b>	<b>7 Mounting</b>	<b>8 CRI</b>	<b>9 Color Temp</b>	<b>10 Dimming</b>
<b>3 LED Technology</b>		<b>4 Max Wattage</b>			<b>D2D</b> Dusk-to-Dawn Housing	<b>WM</b> Wall Mount	<b>8</b> >80	<b>9 Color Temp</b>	<b>VDIM</b> 0–10V
<b>4 Max Wattage</b>		<b>5 Special Indicator</b>						<b>CSB</b> Color Select 3000/4000/5000K	
<b>5 Special Indicator</b>									
<b>6 Size/Shape</b>									
<b>7 Mounting</b>									
<b>8 CRI</b>									
<b>9 Color Temp</b>									
<b>10 Dimming</b>									