



UNDERCABINET LIGHTING

PRO-SERIES FLUORESCENT
8W, 14W, 21W & 28W
T5 HE Fluorescent Lamps

UPF12, UPF22, UPF34 and UPF46

Project: _____

Fixture Type: _____

Location: _____

Contact/Phone: _____

PRODUCT DESCRIPTION

Pro-Series Fluorescent modular series luminaires offer highly efficient illumination in a shallow, easy-to-conceal profile. Ideal for undercabinet, undershelf, and task lighting, where maximum energy efficiency, long lamp life, and cool operation are desired. Pro-Series Fluorescent fixtures are optimized for fast permanent installation, mounting either flush to the rear backsplash or to the front lip of cabinetry to suit project conditions and homeowner preference.

PRODUCT SPECIFICATIONS

Lamps Latest generation of high-efficiency (HE), high color rendering 3000K T5 tri-phosphor fluorescent lamps • 10,000 hour rated lamp life.

Ballast State of the art 120V electronic ballast instantly starts lamp and operates without flicker or hum.

Housing Extruded Aluminum • Designer white, black, brushed bronze, or brushed silver finish.

Diffuser Extruded non-yellowing clear UV/impact resistant acrylic lens.

Switch Available with convenient on/off rocker switch.

Optional Integral Occupancy Sensor 22", 34" and 46" are available with Passive Infrared (PIR) Occupancy Sensor. The PIR sensor has a field adjustable time delay that can be set from 30 sec. to 30 min. All additional luminaires connected to the luminaire with occupancy sensor will be controlled by the single sensor.

Labels UL/C-UL Listed.

INSTALLATION

UPF Series fixtures offer several convenient methods for installation and can be installed as direct wire or portable luminaires. Fixtures may be mounted flush to the backsplash or up against the front lip of the cabinetry using captive mounting screws.

Direct Wire The UPF Series are optimized with a center rear wiring access compartment and push-in electrical connectors for quick electrical connection using non-metallic or armored cable • Features multiple off-center knockouts and are supplied with die cast fittings for 3/8" flexible metal conduit • Optional direct-wire modules sold separately supplied with a jumper cord to bring power to the fixture, is also available to facilitate code compliant installation of fixture at the front end of cabinetry

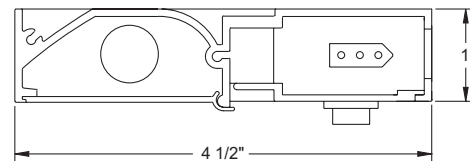
Portable To install a portable fixture, use the optional 3-wire grounded cord & plug (ULH-CP sold separately), or specify CP6 option (sold separately).

Electrically Connecting Multiple Fixtures Up to 10 fixtures may be electrically joined together using either the straight joiner connector supplied with each fixture or the optional JC3 jumper cords • See accessories table for lengths and finishes.

ENGINEERING DATA (120V)

	UPF12	UPF22	UPF34	UPF46
Total input power (watts)	8.4	15.3	22.1	30.3
Total Operating AMPS	.13	.23	.32	.45
Power Factor	.52	.53	.57	.56

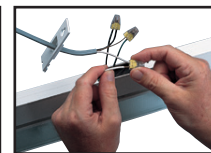
DIMENSIONS



PRO-SERIES FLUORESCENT 5 MINUTE DIRECT-WIRE INSTALLATION



Step 1 Attach supply wires to rear access cover.



Step 2 Connect supply wires to fixture leads using push-in connectors.



Step 3 Mount fixture to cabinet bottom using captive mounting screws.

UNDERCABINET LIGHTING

PRO-SERIES FLUORESCENT
8W, 14W, 21W & 28W
T5 HE Fluorescent Lamps

UPF12, UPF22, UPF34 and UPF46

ORDERING INFORMATION

Fluorescent Ordering Example: UPF22-OCN-BL-CP6

Fluorescent Fixture		Control Options		Finish		Direct Wire/Portable	
UPF12	12" Pro-Series T5 Fluorescent	Blank	Includes Rocker Switch	WH	Designer White	Blank	Direct Wire
UPF22	22" Pro-Series T5 Fluorescent	NS	No Rocker Switch	BL	Black	CP6⁽²⁾	Portable w/ 6' Cord & Plug
UPF34	34" Pro-Series T5 Fluorescent	OC⁽¹⁾	Occupancy Sensor w/ switch	BZ*	Brushed Bronze		
UPF46	46" Pro-Series T5 Fluorescent	OCN⁽¹⁾	Occupancy Sensor w/o switch	SL	Brushed Silver		

⁽¹⁾ Occupancy Sensor is not available on UPF12

⁽²⁾ UL Listed as portable fixture when supplied from factory with cord and plug

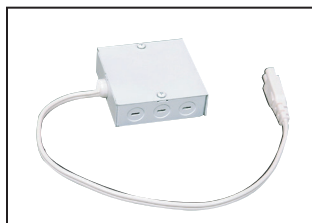
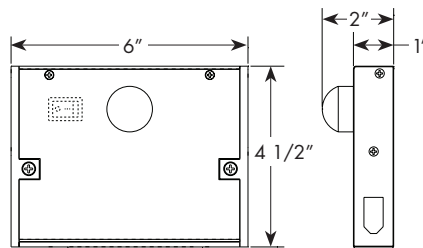
* Bronze is not available for the UPF46

ACCESSORIES

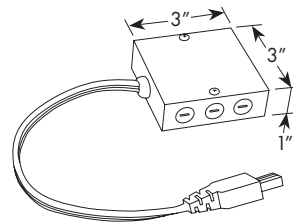
Catalog No.	Description
JC3-8-WH,-BL	8" Jumper Cord
JC3-17-WH,-BL	17" Jumper Cord
JC3-26-WH,-BL	26" Jumper Cord
ULH-CONN	3/8" Miniature Die-Cast Electrical Connector
ULH-CP-WH,-BL	3-Wire Grounded Cord & Plug
ULH-DWMOC-WH,-BL	Direct Wire Occupancy Sensor Module
ULH-DWMOCRS-WH,-BL	Direct Wire Occupancy Sensor Module w/ Rocker Switch
ULH-DWM-WH,-BL	Direct Wire Module



ULH-DWMOCRS
ULH-DWMOC



ULH-DWM



1300 S. Wolf Road • Des Plaines, IL 60018 • Phone (847) 827-9880 • Fax (847) 827-2925
220 Chrysler Drive • Brampton, Ontario • Canada L6S 6B6 • Phone (905) 792-7335 • Fax (905) 792-0064
Visit us at www.junolightinggroup.com

Printed in U.S.A. ©2015 Acuity Brands Lighting, Inc.

UNDERCABINET LIGHTING

PRO-SERIES FLUORESCENT

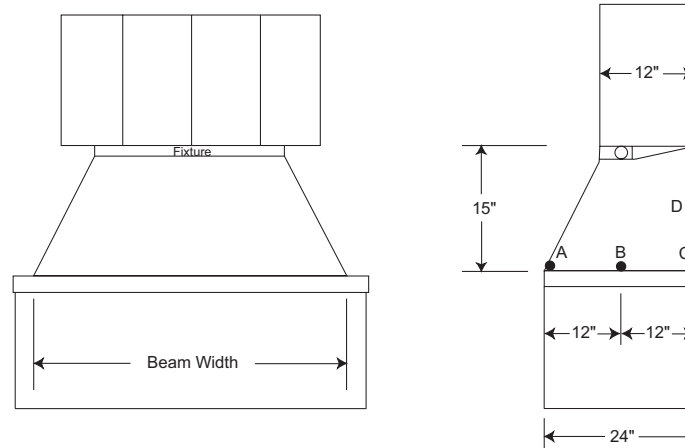
8W, 14W, 21W & 28W

T5 HE Fluorescent Lamps

UPF12, UPF22, UPF34 and UPF46

LIGHTING APPLICATION DATA

FOOTCANDLES ON HORIZONTAL WORK SURFACE



Footcandles						
Catalog #	Lamp	* Beam Width	A	B	C	D
UPF12	8-watt T5	21"	22	64	34	39
UPF22	14-watt T5 HE	27"	37	105	59	65
UPF34	21-watt T5 HE	34"	47	126	75	73
UPF46	28-watt T5 HE	43"	61	162	100	96

* Beam width defined as 50% of maximum footcandles

Rear wall reflectance 50%
Counter Surface Reflectance 20%

8 watts equivalent to 40 watts of halogen
14 watts equivalent to 75 watts of halogen
21 watts equivalent to 100 watts of halogen
28 watts equivalent to 150 watts of halogen



1300 S. Wolf Road • Des Plaines, IL 60018 • Phone (847) 827-9880 • Fax (847) 827-2925
220 Chrysler Drive • Brampton, Ontario • Canada L6S 6B6 • Phone (905) 792-7335 • Fax (905) 792-0064
Visit us at www.junolightinggroup.com

Printed in U.S.A. ©2015 Acuity Brands Lighting, Inc.