

Catalog #		Date		Prepared by	
Project		Type		Notes	



## HALO

### L815 Stasis Medium

With sleek, simple geometric profiles and high-performance optics, and a full range of beam angles in 3 different sizes, Stasis provides just the right accent to any high-end application.

#### Typical Applications

Education • Hospitality • Retail

#### Interactive Menu

- Order Information page 3
- Photometric Data page 4
- Product Warranty

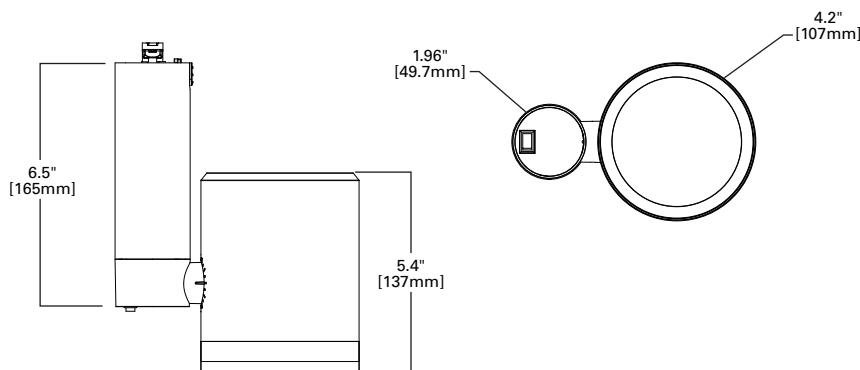
#### Product Certification



#### Top Product Features

- Interchangeable, wide selection of beam patterns that meets any accent lighting application.
- Sleek cylindrical design
- Low-Glare chip-on-board optics

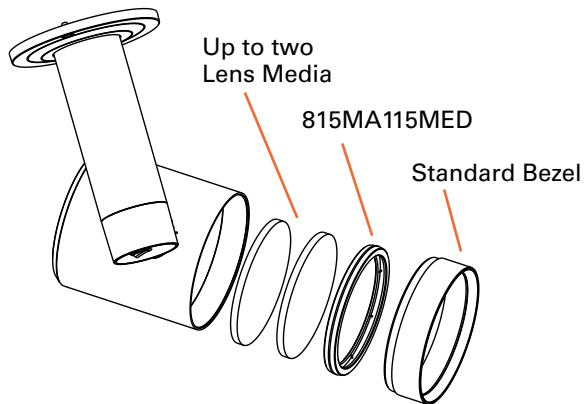
#### Dimensional and Mounting Details



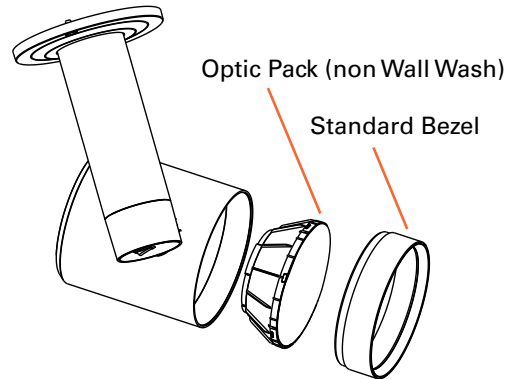
## Stasis Accessory Diagram

Stasis comes with several accessories to customize lighting environments. Achieve more cutoff with a snoot, change out an optic on an existing install, or add more media capability with the media holder. Stasis provides an array of avenues for lighting designers to create unique accents.

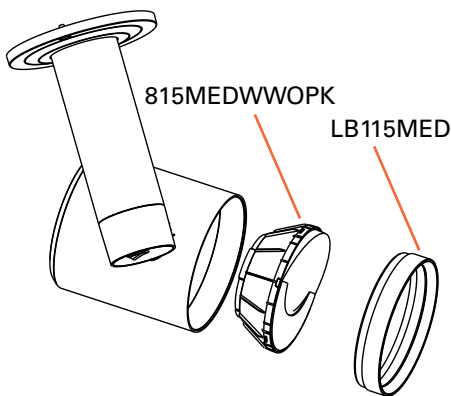
### Normal Configuration with Media



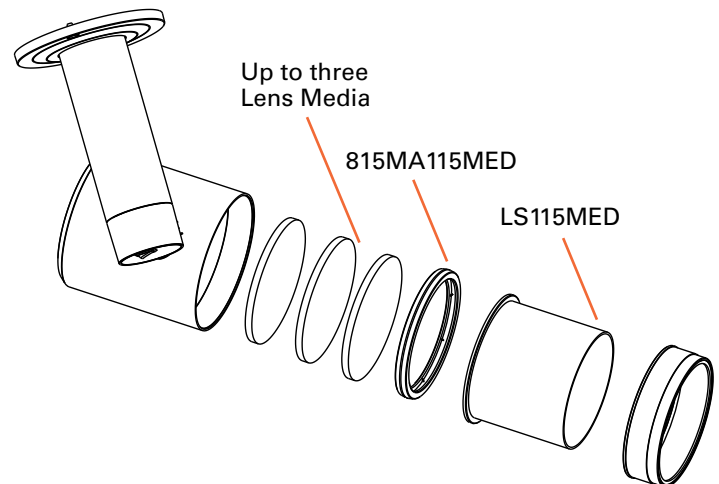
### Spare Optic



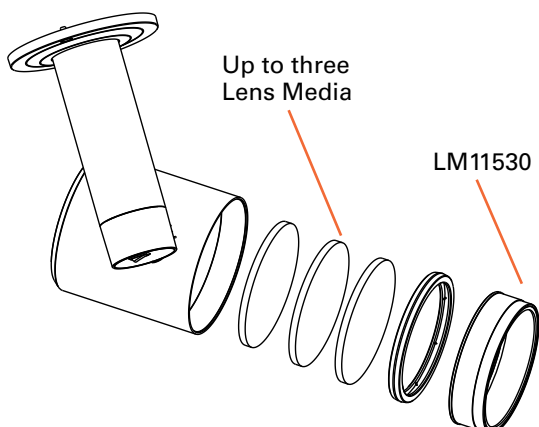
### Wall Wash Spare Optic



### Snoot and Media



### Media Holder



## Order Information

Icon Key: Configurable Product

SAMPLE ORDER NUMBER: **L815MED10FL930MB**

Track	Size	Output	Optic	CRI & CCT	Finish	Voltage
<b>L</b> =Halo Power Trac & Lazer Track <b>L2G</b> =Global TEK/HTEK <sup>(1)</sup> <b>LJ</b> =Juno Track <sup>(2)</sup> <b>LL</b> =Lightolier <sup>(3)</sup> <b>M</b> =Monopoint	<b>815MED</b>	<b>10</b> =1000 <b>20</b> =2000 <b>30</b> =3000	<b>NS</b> =8 deg <b>SP</b> =15 deg <b>NF</b> =25 deg <b>FL</b> =45 deg <b>WF</b> =60 deg <b>WW</b> =Wall Wash	<b>927</b> =2700K / 90 CRI <b>930</b> =3000K / 90 CRI <b>935</b> =3500K / 90 CRI <b>940</b> =4000K / 90 CRI	<b>MB</b> =Black <b>P</b> =White <b>SL</b> =Silver	<b>Blank</b> =120V <b>277</b> =277V <sup>(4)</sup>
<b>Notes</b> (1) Global® is a registered trademark of Nordic Aluminum. (2) Juno® T single circuit and 2-circuit track contact. Juno® is a registered trademark of Juno® Lighting. (3) Lightolier® Lyfespan 6000 single circuit and 2 circuit track contact. Lightolier® is a registered trademark of Philips Lighting.	<b>Notes</b>	<b>Notes</b>	<b>Notes</b>	<b>Notes</b>	<b>Notes</b>	<b>Notes</b> (4) 277V is only available for Global HTEK track

## Accessories

Accessories			
<b>Media Holder</b> <b>LM11530MB</b> =Medium Media Holder, Black <b>LM11530P</b> =Medium Media Holder, White <b>LM11530SL</b> =Medium Media Holder, Silver  <b>815MA115MED</b> =Medium Media Adapter (includes white and black)	<b>LS115MEDMB</b> =Medium snoot, Black <b>LS115MEDP</b> =Medium snoot, White <b>LS115MEDSL</b> =Medium snoot, Silver  <b>LB115MEDMB</b> =Medium Bezel Accessory, Black <b>LB115MEDP</b> =Medium Bezel Accessory, White <b>LB115MEDSL</b> =Medium Bezel Accessory, Silver	<b>Optics</b> <b>815MEDFLOPK</b> =Medium Flood Optic Accessory <b>815MEDNFOPK</b> =Medium Narrow Flood Optic Accessory <b>815MEDNSOPK</b> =Medium Narrow Spot Optic Accessory <b>815MEDSOPK</b> =Medium Spot Optic Accessory <b>815MEDWFOPK</b> =Medium Wide Flood Accessory  <b>Wall Wash Optic (includes optic and wall wash bezel)</b> <b>815MEDWWOPKMB</b> =Medium Wall Wash Optic Accessory, Black <b>815MEDWWOPKP</b> =Medium Wall Wash Optic Accessory, White <b>815MEDWWOPKSL</b> =Medium Wall Wash Optic Accessory, Silver	<b>Media</b> <b>815MEDSFL</b> =Soft Focus Lens, Stasis Medium <b>815MEDLSL</b> =Linear Spread Lens, Stasis Medium <b>815MEDPDL</b> =Prismatic Diffuse Lens, Stasis Medium <b>815MEDLHC</b> =Hex Cell Louver, Stasis Medium
<b>Notes</b>	<b>Notes</b>	<b>Notes</b>	<b>Notes</b>

## Product Specifications

### Aiming

- Full aiming capable.
- Can pivot +/-90° vertically and horizontally without adjusting track position.
- Graduations every 15° for precise and repeatable tilt aiming.
- Alignment Indicator mark on the bottom.

### Design

- All-metal smooth cylindrical can shape.
- Encased heat sink allows for sleeker aesthetics.
- Available in white, black, and silver finishes.

### Optics & Light Engine

- Available in 5 beam distributions, ranging from 8 degrees to 60 degrees, as well as a wall wash.
- Equipped with 1 chip-on-board LED.
- Low-glare polycarbonate lens
- Removable bezel allows for interchangeable optics
- Accommodates up to 2 pieces of additional PAR20 media when media holder utilized
- Light output maintains above 70% past 50,000 hours

### Electrical

- Universal 120 – 277V\*, 50/60 Hz driver.  
\*277V available only with 277 V Global track
- Individual on/off control is possible with the integral on/off switch provided.

### Dimming

- Compatible with select TRIAC and ELV dimmers down to 5%.
- Dimming only available with 120V configurations.

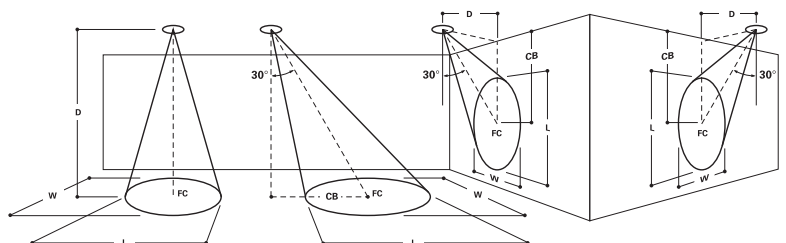
### Warranty

- Five year limited warranty
- Consult website for details. [cooperlighting.com](http://cooperlighting.com)

## Photometric Data

### Notes and Definitions:

Beam spread is to 50% center beam candlepower (CBCP).  
 D=Distance in feet to floor or wall.  
 FC=Footcandles on floor or wall at center beam aiming location.  
 L=Effective Visual Beam length in feet (50% of maximum footcandle level.)  
 W=Effective Visual Beam width in feet (50% of maximum footcandle level.)  
 CB=Distance in feet across or down to center beam location.



Note: Refer to IES files for more product data.

## Photometric Data

 [View IES files](#)

### Narrow Spot (8 deg beam width), 1000 lumen

L815MED10NS930MB	Lumens	Watts	LPW	CCT	SC (0/90/45)
	1199 Lm	12.7 W	94.4 Lm/W	3000K	0.15 / 0.15 / 0.15

0 Deg Aiming Angle Horizontal Illuminance on Floor				
MH	FC	L	W	
5'	1089.4	0.6	0.6	
7.5'	484.2	1	1	
10'	272.4	1.4	1.4	
12.5'	174.3	1.8	1.8	
15'	121	2.2	2.2	

30 deg Aiming Angle Horizontal Illuminance on Floor					
MH	FC	L	W	CB	
5'	709.5	0.9	0.8	2.9	
7.5'	315.3	1.4	1.2	4.3	
10'	177.4	1.9	1.6	5.8	
12.5'	113.5	2.5	2.2	7.2	
15'	78.8	3	2.6	8.7	

30 deg Aiming Angle Vertical Illuminance on Wall					
D	FC	L	W	CB	
3'	402.4	1.6	0.8	5.2	
4'	226.4	2.1	1	6.9	
6'	100.6	3.3	1.6	10.4	
8'	56.6	4.4	2.2	13.9	
10'	36.2	5.6	2.8	17.3	

60 deg Aiming Angle Horizontal Illuminance on Floor					
MH	FC	L	W	CB	
5'	144.9	2.7	1.4	8.7	
7.5'	64.4	4.2	2.2	13	
10'	36.2	5.6	2.8	17.3	
12.5'	23.2	7	3.6	21.7	
15'	16.1	8.4	4.4	26	

60 deg Aiming Angle Vertical Illuminance on Wall					
D	FC	L	W	CB	
3'	1970.7	0.5	0.4	1.7	
4'	1108.5	0.7	0.6	2.3	
6'	492.7	1.1	1	3.5	
8'	277.1	1.5	1.4	4.6	
10'	177.4	1.9	1.6	5.8	

### Spot (15 deg beam width), 1000 lumen

L815MED10SP930MB	Lumens	Watts	LPW	CCT	SC (0/90/45)
	1197 Lm	12.7 W	94.3 Lm/W	3000K	0.27 / 0.27 / 0.26

0 Deg Aiming Angle Horizontal Illuminance on Floor				
MH	FC	L	W	
5'	508.6	1.2	1.2	
7.5'	226.1	2	2	
10'	127.2	2.6	2.6	
12.5'	81.4	3.2	3.2	
15'	56.5	4	4	

30 deg Aiming Angle Horizontal Illuminance on Floor					
MH	FC	L	W	CB	
5'	340.8	1.6	1.4	2.9	
7.5'	151.5	2.5	2.2	4.3	
10'	85.2	3.3	3	5.8	
12.5'	54.5	4.2	3.6	7.2	
15'	37.9	5.1	4.4	8.7	

30 deg Aiming Angle Vertical Illuminance on Wall					
D	FC	L	W	CB	
3'	213.4	2.4	1.4	5.2	
4'	120.1	3.3	1.8	6.9	
6'	53.4	4.9	2.8	10.4	
8'	30	6.6	3.8	13.9	
10'	19.2	8.3	4.8	17.3	

60 deg Aiming Angle Horizontal Illuminance on Floor					
MH	FC	L	W	CB	
5'	76.8	4.1	2.4	8.7	
7.5'	34.1	6.2	3.6	13	
10'	19.2	8.1	4.8	17.3	
12.5'	12.3	10	6	21.7	
15'	8.5	11.9	7.2	26	

60 deg Aiming Angle Vertical Illuminance on Wall					
D	FC	L	W	CB	
3'	946.8	1	0.8	1.7	
4'	532.5	1.3	1.2	2.3	
6'	236.7	2	1.8	3.5	
8'	133.1	2.6	2.4	4.6	
10'	85.2	3.3	3	5.8	

### Narrow Flood (25 deg beam width), 1000 lumen

L815MED10NF930MB	Lumens	Watts	LPW	CCT	SC (0/90/45)
	1226 Lm	12.7 W	96.5 Lm/W	3000K	0.43 / 0.43 / 0.39

0 Deg Aiming Angle Horizontal Illuminance on Floor				
MH	FC	L	W	
5'	234.2	2	2	
7.5'	104.1	3.2	3.2	
10'	58.5	4.2	4.2	
12.5'	37.5	5.2	5.2	
15'	26	6.4	6.4	

30 deg Aiming Angle Horizontal Illuminance on Floor					
MH	FC	L	W	CB	
5'	162.7	2.5	2.2	2.9	
7.5'	72.3	3.8	3.4	4.3	
10'	40.7	5.1	4.6	5.8	
12.5'	26	6.4	5.8	7.2	
15'	18.1	7.6	7	8.7	

30 deg Aiming Angle Vertical Illuminance on Wall					
D	FC	L	W	CB	
3'	121	2.9	2	5.2	
4'	68.1	3.9	2.6	6.9	
6'	30.3	5.9	4	10.4	
8'	17	7.8	5.4	13.9	
10'	10.9	9.8	6.8	17.3	

60 deg Aiming Angle Horizontal Illuminance on Floor					
MH	FC	L	W	CB	
5'	43.6	4.8	3.4	8.7	
7.5'	19.4	7.3	5.2	13	
10'	10.9	9.8	6.8	17.3	
12.5'	7	12.2	8.2	21.7	
15'	4.8	14.7	9.8	26	

60 deg Aiming Angle Vertical Illuminance on Wall					
D	FC	L	W	CB	
3'	452	1.5	1.4	1.7	
4'	254.2	2	1.8	2.3	
6'	113	3	2.8	3.5	
8'	63.6	4	3.8	4.6	
10'	40.7	5.1	4.6	5.8	

### Flood (45 deg beam width), 1000 lumen

L815MED10FL930MB	Lumens	Watts	LPW	CCT	SC (0/90/45)
	1104 Lm	12.7 W	86.9 Lm/W	3000K	0.75 / 0.75 / 0.66

0 Deg Aiming Angle Horizontal Illuminance on Floor				
MH	FC	L	W	
5'	75.9	3.6	3.6	
7.5'	33.7	5.6	5.6	
10'	19	7.4	7.4	
12.5'	12.1	9.4	9.4	
15'	8.4	11.2	11.2	

30 deg Aiming Angle Horizontal Illuminance on Floor					
MH	FC	L	W	CB	
5'	59.1	3.7	4	2.9	
7.5'	26.3	5.7	6	4.3	
10'	14.8	7.6	8	5.8	
12.5'	9.5	9.5	10	7.2	
15'	6.6	11.5	12	8.7	

30 deg Aiming Angle Vertical Illuminance on Wall					
D	FC	L	W	CB	
3'	65.4	2.6	2.8	5.2	
4'	36.8	3.5	3.8	6.9	
6'	16.3	5.3	5.6	10.4	
8'	9.2	7	7.6	13.9	
10'	5.9	8.9	9.4	17.3	

60 deg Aiming Angle Horizontal Illuminance on Floor					
MH	FC	L	W	CB	
5'	23.5	4.4	4.6	8.7	
7.5'	10.5	6.7	7	13	
10'	5.9	8.9	9.4	17.3	
12.5'	3.8	11.1	11.6	21.7	
15'	2.6	13.1	13.6	26	

60 deg Aiming Angle Vertical Illuminance on Wall					
D	FC	L	W	CB	
3'	164.1	2.2	2.4	1.7	
4'	92.3	2.9	3.2	2.3	
6'	41	4.5	4.8	3.5	
8'	23.1	6	6.4	4.6	
10'	14.8	7.6	8	5.8	

### Wide Flood (60 deg beam width), 1000 lumen

L815MED10WF930MB	Lumens	Watts	LPW	CCT	SC (0/90/45)
	1170 Lm	12.7 W	92.1 Lm/W	3000K	0.96 / 0.96 / 0.88

0 Deg Aiming Angle Horizontal Illuminance on Floor				
MH	FC	L	W	
5'	52.5	4.8	4.8	
7.5'	23.3	7.2	7.2	
10'	13.1	9.6	9.6	
12.5'	8.4	12	12	
15'	5.8	14.4	14.4	

30 deg Aiming Angle Horizontal Illuminance on Floor					
MH	FC	L	W	CB	
5'	43.7	4.4	4.8	2.9	
7.5'	19.4	6.6	7.2	4.3	
10'	10.9	8.9	9.6	5.8	
12.5'	7	11	12.2	7.2	
15'	4.9	13.3	14.6	8.7	

30 deg Aiming Angle Vertical Illuminance on Wall					
D	FC	L	W	CB	
3'	57.3	2.6	3.2	5.2	
4'	32.2	3.5	4.2	6.9	
6'	14.3	5.4	6.4	10.4	
8'	8.1	7.2	8.6	13.9	
10'	5.2	9.1	10.8	17.3	

60 deg Aiming Angle Horizontal Illuminance on Floor					
MH	FC	L	W	CB	
5'	20.6	4.5	5.4	8.7	
7.5'	9.2	6.8	8.2	13	
10'	5.2	9	10.6	17.3	
12.5'	3.3	11.1	13	21.7	
15'	2.3	13.2	15.4	26	

60 deg Aiming Angle Vertical Illuminance on Wall					
D	FC	L	W	CB	
3'	121.4	2.5	2.8	1.7	
4'	68.3	3.4	3.8	2.3	
6'	30.3	5.1	5.8	3.5	
8'	17.1	6.9	7.8	4.6	
10'	10.9	8.6	9.6	5.8	

Note: Refer to IES files for more product data.

## Photometric Data

 [View IES files](#)

### Narrow Spot (8 deg beam width), 2000 lumen

L815MED20NS930MB	Lumens	Watts	LPW	CCT	SC (0/90/45)
	2111 Lm	24.7 W	85.5 Lm/W	3000K	0.15 / 0.15 / 0.15

0 Deg Aiming Angle Horizontal Illuminance on Floor				
MH	FC	L	W	
5'	1918.3	0.6	0.6	
7.5'	852.6	1	1	
10'	479.6	1.4	1.4	
12.5'	306.9	1.8	1.8	
15'	213.1	2.2	2.2	

30 deg Aiming Angle Horizontal Illuminance on Floor					
MH	FC	L	W	CB	
5'	1249.3	0.9	0.8	2.9	
7.5'	555.2	1.4	1.2	4.3	
10'	312.3	1.9	1.6	5.8	
12.5'	199.9	2.5	2.2	7.2	
15'	138.8	3	2.6	8.7	

30 deg Aiming Angle Vertical Illuminance on Wall					
D	FC	L	W	CB	
3'	708.6	1.6	0.8	5.2	
4'	398.6	2.1	1	6.9	
6'	177.2	3.3	1.6	10.4	
8'	99.6	4.4	2.2	13.9	
10'	63.8	5.6	2.8	17.3	

60 deg Aiming Angle Horizontal Illuminance on Floor					
MH	FC	L	W	CB	
5'	255.1	2.7	1.4	8.7	
7.5'	113.4	4.2	2.2	13	
10'	63.8	5.6	2.8	17.3	
12.5'	40.8	7	3.6	21.7	
15'	28.3	8.4	4.4	26	

60 deg Aiming Angle Vertical Illuminance on Wall					
D	FC	L	W	CB	
3'	3470.2	0.5	0.4	1.7	
4'	1952	0.7	0.6	2.3	
6'	867.5	1.1	1	3.5	
8'	488	1.5	1.4	4.6	
10'	312.3	1.9	1.6	5.8	

### Spot (15 deg beam width), 2000 lumen

L815MED20SP930MB	Lumens	Watts	LPW	CCT	SC (0/90/45)
	2109 Lm	24.7 W	85.4 Lm/W	3000K	0.27 / 0.27 / 0.26

0 Deg Aiming Angle Horizontal Illuminance on Floor				
MH	FC	L	W	
5'	895.6	1.2	1.2	
7.5'	398.1	2	2	
10'	223.9	2.6	2.6	
12.5'	143.3	3.2	3.2	
15'	99.5	4	4	

30 deg Aiming Angle Horizontal Illuminance on Floor					
MH	FC	L	W	CB	
5'	600.2	1.6	1.4	2.9	
7.5'	266.7	2.5	2.2	4.3	
10'	150	3.3	3	5.8	
12.5'	96	4.2	3.6	7.2	
15'	66.7	5.1	4.4	8.7	

30 deg Aiming Angle Vertical Illuminance on Wall					
D	FC	L	W	CB	
3'	375.8	2.4	1.4	5.2	
4'	211.4	3.3	1.8	6.9	
6'	94	4.9	2.8	10.4	
8'	52.9	6.6	3.8	13.9	
10'	33.8	8.3	4.8	17.3	

60 deg Aiming Angle Horizontal Illuminance on Floor					
MH	FC	L	W	CB	
5'	135.3	4.1	2.4	8.7	
7.5'	60.1	6.2	3.6	13	
10'	33.8	8.1	4.8	17.3	
12.5'	21.6	10	6	21.7	
15'	15	11.9	7.2	26	

60 deg Aiming Angle Vertical Illuminance on Wall					
D	FC	L	W	CB	
3'	1667.1	1	0.8	1.7	
4'	937.8	1.3	1.2	2.3	
6'	416.8	2	1.8	3.5	
8'	234.4	2.6	2.4	4.6	
10'	150	3.3	3	5.8	

### Narrow Flood (25 deg beam width), 2000 lumen

L815MED20NF930MB	Lumens	Watts	LPW	CCT	SC (0/90/45)
	2159 Lm	24.7 W	87.4 Lm/W	3000K	0.43 / 0.43 / 0.39

0 Deg Aiming Angle Horizontal Illuminance on Floor				
MH	FC	L	W	
5'	412.3	2	2	
7.5'	183.3	3.2	3.2	
10'	103.1	4.2	4.2	
12.5'	66	5.2	5.2	
15'	45.8	6.4	6.4	

30 deg Aiming Angle Horizontal Illuminance on Floor					
MH	FC	L	W	CB	
5'	286.5	2.5	2.2	2.9	
7.5'	127.3	3.8	3.4	4.3	
10'	71.6	5.1	4.6	5.8	
12.5'	45.8	6.4	5.8	7.2	
15'	31.8	7.6	7	8.7	

30 deg Aiming Angle Vertical Illuminance on Wall					
D	FC	L	W	CB	
3'	213.2	2.9	2	5.2	
4'	119.9	3.9	2.6	6.9	
6'	53.3	5.9	4	10.4	
8'	30	7.8	5.4	13.9	
10'	19.2	9.8	6.8	17.3	

60 deg Aiming Angle Horizontal Illuminance on Floor					
MH	FC	L	W	CB	
5'	76.7	4.8	3.4	8.7	
7.5'	34.1	7.3	5.2	13	
10'	19.2	9.8	6.8	17.3	
12.5'	12.3	12.2	8.2	21.7	
15'	8.5	14.7	9.8	26	

60 deg Aiming Angle Vertical Illuminance on Wall					
D	FC	L	W	CB	
3'	795.9	1.5	1.4	1.7	
4'	447.7	2	1.8	2.3	
6'	199	3	2.8	3.5	
8'	111.9	4	3.8	4.6	
10'	71.6	5.1	4.6	5.8	

### Flood (45 deg beam width), 2000 lumen

L815MED20FL930MB	Lumens	Watts	LPW	CCT	SC (0/90/45)
	1944 Lm	24.7 W	78.7 Lm/W	3000K	0.75 / 0.75 / 0.66

0 Deg Aiming Angle Horizontal Illuminance on Floor				
MH	FC	L	W	
5'	133.7	3.6	3.6	
7.5'	59.4	5.6	5.6	
10'	33.4	7.4	7.4	
12.5'	21.4	9.4	9.4	
15'	14.9	11.2	11.2	

30 deg Aiming Angle Horizontal Illuminance on Floor					
MH	FC	L	W	CB	
5'	104.1	3.7	4	2.9	
7.5'	46.2	5.7	6	4.3	
10'	26	7.6	8	5.8	
12.5'	16.6	9.5	10	7.2	
15'	11.6	11.5	12	8.7	

30 deg Aiming Angle Vertical Illuminance on Wall					
D	FC	L	W	CB	
3'	115.1	2.6	2.8	5.2	
4'	64.8	3.5	3.8	6.9	
6'	28.8	5.3	5.6	10.4	
8'	16.2	7	7.6	13.9	
10'	10.4	8.9	9.4	17.3	

60 deg Aiming Angle Horizontal Illuminance on Floor					
MH	FC	L	W	CB	
5'	41.5	4.4	4.6	8.7	
7.5'	18.4	6.7	7	13	
10'	10.4	8.9	9.4	17.3	
12.5'	6.6	11.1	11.6	21.7	
15'	4.6	13.1	13.6	26	

60 deg Aiming Angle Vertical Illuminance on Wall					
D	FC	L	W	CB	
3'	289	2.2	2.4	1.7	
4'	162.6	2.9	3.2	2.3	
6'	72.3	4.5	4.8	3.5	
8'	40.6	6	6.4	4.6	
10'	26	7.6	8	5.8	

### Wide Flood (60 deg beam width), 2000 lumen

L815MED20WF930MB	Lumens	Watts	LPW	CCT	SC (0/90/45)
	2061 Lm	24.7 W	83.4 Lm/W	3000K	0.96 / 0.96 / 0.88

0 Deg Aiming Angle Horizontal Illuminance on Floor				
MH	FC	L	W	
5'	92.4	4.8	4.8	
7.5'	41.1	7.2	7.2	
10'	23.1	9.6	9.6	
12.5'	14.8	12	12	
15'	10.3	14.4	14.4	

30 deg Aiming Angle Horizontal Illuminance on Floor					
MH	FC	L	W	CB	
5'	76.9	4.4	4.8	2.9	
7.5'	34.2	6.6	7.2	4.3	
10'	19.2	8.9	9.6	5.8	
12.5'	12.3	11	12.2	7.2	
15'	8.5	13.3	14.6	8.7	

30 deg Aiming Angle Vertical Illuminance on Wall					
D	FC	L	W	CB	
3'	100.9	2.6	3.2	5.2	
4'	56.8	3.5	4.2	6.9	
6'	25.2	5.4	6.4	10.4	
8'	14.2	7.2	8.6	13.9	
10'	9.1	9.1	10.8	17.3	

60 deg Aiming Angle Horizontal Illuminance on Floor					
MH	FC	L	W	CB	
5'	36.3	4.5	5.4	8.7	
7.5'	16.1	6.8	8.2	13	
10'	9.1	9	10.6	17.3	
12.5'	5.8	11.1	13	21.7	
15'	4	13.2	15.4	26	

60 deg Aiming Angle Vertical Illuminance on Wall					
D	FC	L	W	CB	
3'	213.7	2.5	2.8	1.7	
4'	120.2	3.4	3.8	2.3	
6'	53.4	5.1	5.8	3.5	
8'	30.1	6.9	7.8	4.6	
10'	19.2	8.6	9.6	5.8	

Note: Refer to IES files for more product data.

## Photometric Data

 [View IES files](#)

### Narrow Spot (8 deg beam width), 3000 lumen

L815MED30NS930MB	Lumens	Watts	LPW	CCT	SC (0/90/45)
	2766 Lm	37.7 W	73.4 Lm/W	3000K	0.15 / 0.15 / 0.15

0 Deg Aiming Angle Horizontal Illuminance on Floor					30 deg Aiming Angle Horizontal Illuminance on Floor					30 deg Aiming Angle Vertical Illuminance on Wall					60 deg Aiming Angle Horizontal Illuminance on Floor					60 deg Aiming Angle Vertical Illuminance on Wall				
MH	FC	L	W		MH	FC	L	W	CB	D	FC	L	W	CB	MH	FC	L	W	CB	D	FC	L	W	CB
5'	2513.9	0.6	0.6		5'	1637.1	0.9	0.8	2.9	3'	928.6	1.6	0.8	5.2	5'	334.3	2.7	1.4	8.7	3'	4547.5	0.5	0.4	1.7
7.5'	1117.3	1	1		7.5'	727.6	1.4	1.2	4.3	4'	522.3	2.1	1	6.9	7.5'	148.6	4.2	2.2	13	4'	2558	0.7	0.6	2.3
10'	628.5	1.4	1.4		10'	409.3	1.9	1.6	5.8	6'	232.2	3.3	1.6	10.4	10'	83.6	5.6	2.8	17.3	6'	1136.9	1.1	1	3.5
12.5'	402.2	1.8	1.8		12.5'	261.9	2.5	2.2	7.2	8'	130.6	4.4	2.2	13.9	12.5'	53.5	7	3.6	21.7	8'	639.5	1.5	1.4	4.6
15'	279.3	2.2	2.2		15'	181.9	3	2.6	8.7	10'	83.6	5.6	2.8	17.3	15'	37.1	8.4	4.4	26	10'	409.3	1.9	1.6	5.8

### Spot (15 deg beam width), 3000 lumen

L815MED30SP930MB	Lumens	Watts	LPW	CCT	SC (0/90/45)
	2763 Lm	37.7 W	73.3 Lm/W	3000K	0.27 / 0.27 / 0.26

0 Deg Aiming Angle Horizontal Illuminance on Floor					30 deg Aiming Angle Horizontal Illuminance on Floor					30 deg Aiming Angle Vertical Illuminance on Wall					60 deg Aiming Angle Horizontal Illuminance on Floor					60 deg Aiming Angle Vertical Illuminance on Wall				
MH	FC	L	W		MH	FC	L	W	CB	D	FC	L	W	CB	MH	FC	L	W	CB	D	FC	L	W	CB
5'	1173.7	1.2	1.2		5'	786.5	1.6	1.4	2.9	3'	492.5	2.4	1.4	5.2	5'	177.3	4.1	2.4	8.7	3'	2184.7	1	0.8	1.7
7.5'	521.6	2	2		7.5'	349.5	2.5	2.2	4.3	4'	277	3.3	1.8	6.9	7.5'	78.8	6.2	3.6	13	4'	1228.9	1.3	1.2	2.3
10'	293.4	2.6	2.6		10'	196.6	3.3	3	5.8	6'	123.1	4.9	2.8	10.4	10'	44.3	8.1	4.8	17.3	6'	546.2	2	1.8	3.5
12.5'	187.8	3.2	3.2		12.5'	125.8	4.2	3.6	7.2	8'	69.3	6.6	3.8	13.9	12.5'	28.4	10	6	21.7	8'	307.2	2.6	2.4	4.6
15'	130.4	4	4		15'	87.4	5.1	4.4	8.7	10'	44.3	8.3	4.8	17.3	15'	19.7	11.9	7.2	26	10'	196.6	3.3	3	5.8

### Narrow Flood (25 deg beam width), 3000 lumen

L815MED30NF930MB	Lumens	Watts	LPW	CCT	SC (0/90/45)
	2829 Lm	37.7 W	75 Lm/W	3000K	0.43 / 0.43 / 0.39

0 Deg Aiming Angle Horizontal Illuminance on Floor					30 deg Aiming Angle Horizontal Illuminance on Floor					30 deg Aiming Angle Vertical Illuminance on Wall					60 deg Aiming Angle Horizontal Illuminance on Floor					60 deg Aiming Angle Vertical Illuminance on Wall				
MH	FC	L	W		MH	FC	L	W	CB	D	FC	L	W	CB	MH	FC	L	W	CB	D	FC	L	W	CB
5'	540.3	2	2		5'	375.5	2.5	2.2	2.9	3'	279.3	2.9	2	5.2	5'	100.6	4.8	3.4	8.7	3'	1043	1.5	1.4	1.7
7.5'	240.2	3.2	3.2		7.5'	166.9	3.8	3.4	4.3	4'	157.1	3.9	2.6	6.9	7.5'	44.7	7.3	5.2	13	4'	586.7	2	1.8	2.3
10'	135.1	4.2	4.2		10'	93.9	5.1	4.6	5.8	6'	69.8	5.9	4	10.4	10'	25.1	9.8	6.8	17.3	6'	260.7	3	2.8	3.5
12.5'	86.5	5.2	5.2		12.5'	60.1	6.4	5.8	7.2	8'	39.3	7.8	5.4	13.9	12.5'	16.1	12.2	8.2	21.7	8'	146.7	4	3.8	4.6
15'	60	6.4	6.4		15'	41.7	7.6	7	8.7	10'	25.1	9.8	6.8	17.3	15'	11.2	14.7	9.8	26	10'	93.9	5.1	4.6	5.8

### Flood (45 deg beam width), 3000 lumen

L815MED30FL930MB	Lumens	Watts	LPW	CCT	SC (0/90/45)
	2548 Lm	37.7 W	67.6 Lm/W	3000K	0.75 / 0.75 / 0.66

0 Deg Aiming Angle Horizontal Illuminance on Floor					30 deg Aiming Angle Horizontal Illuminance on Floor					30 deg Aiming Angle Vertical Illuminance on Wall					60 deg Aiming Angle Horizontal Illuminance on Floor					60 deg Aiming Angle Vertical Illuminance on Wall				
MH	FC	L	W		MH	FC	L	W	CB	D	FC	L	W	CB	MH	FC	L	W	CB	D	FC	L	W	CB
5'	175.2	3.6	3.6		5'	136.4	3.7	4	2.9	3'	150.9	2.6	2.8	5.2	5'	54.3	4.4	4.6	8.7	3'	378.8	2.2	2.4	1.7
7.5'	77.9	5.6	5.6		7.5'	60.6	5.7	6	4.3	4'	84.9	3.5	3.8	6.9	7.5'	24.1	6.7	7	13	4'	213.1	2.9	3.2	2.3
10'	43.8	7.4	7.4		10'	34.1	7.6	8	5.8	6'	37.7	5.3	5.6	10.4	10'	13.6	8.9	9.4	17.3	6'	94.7	4.5	4.8	3.5
12.5'	28	9.4	9.4		12.5'	21.8	9.5	10	7.2	8'	21.2	7	7.6	13.9	12.5'	8.7	11.1	11.6	21.7	8'	53.3	6	6.4	4.6
15'	19.5	11.2	11.2		15'	15.2	11.5	12	8.7	10'	13.6	8.9	9.4	17.3	15'	6	13.1	13.6	26	10'	34.1	7.6	8	5.8

### Wide Flood (60 deg beam width), 3000 lumen

L815MED30WF930MB	Lumens	Watts	LPW	CCT	SC (0/90/45)
	2700 Lm	37.7 W	71.6 Lm/W	3000K	0.96 / 0.96 / 0.88

0 Deg Aiming Angle Horizontal Illuminance on Floor					30 deg Aiming Angle Horizontal Illuminance on Floor					30 deg Aiming Angle Vertical Illuminance on Wall					60 deg Aiming Angle Horizontal Illuminance on Floor					60 deg Aiming Angle Vertical Illuminance on Wall				
MH	FC	L	W		MH	FC	L	W	CB	D	FC	L	W	CB	MH	FC	L	W	CB	D	FC	L	W	CB
5'	121.1	4.8	4.8		5'	100.8	4.4	4.8	2.9	3'	132.3	2.6	3.2	5.2	5'	47.6	4.5	5.4	8.7	3'	280.1	2.5	2.8	1.7
7.5'	53.8	7.2	7.2		7.5'	44.8	6.6	7.2	4.3	4'	74.4	3.5	4.2	6.9	7.5'	21.2	6.8	8.2	13	4'	157.6	3.4	3.8	2.3
10'	30.3	9.6	9.6		10'	25.2	8.9	9.6	5.8	6'	33.1	5.4	6.4	10.4	10'	11.9	9	10.6	17.3	6'	70	5.1	5.8	3.5
12.5'	19.4	12	12		12.5'	16.1	11	12.2	7.2	8'	18.6	7.2	8.6	13.9	12.5'	7.6	11.1	13	21.7	8'	39.4	6.9	7.8	4.6
15'	13.5	14.4	14.4		15'	11.2	13.3	14.6	8.7	10'	11.9	9.1	10.8	17.3	15'	5.3	13.2	15.4	26	10'	25.2	8.6	9.6	5.8

Note: Refer to IES files for more product data.

## Photometric Data

 [View IES files](#)

### Wall Wash, 1000 lumen

L815MED10WW930MB	Lumens	987 Lm	Watts	12.7 W	LPW	77.7 Lm/W
	CCT	SC (0/90/45)				
	3000K	0.44 / 0.77 / 0.63				

Single Unit Footcandles 2.5' from wall (distance from fixture along wall)							
DD	0	1	2	3	4	5	6
1'	4	3.1	1.2	0.3	0.1	0.1	0
2'	7.9	6.3	3.7	2	0.9	0.3	0.1
3'	7	6	4	2.4	1.4	0.9	0.5
4'	5.7	5	3.7	2.4	1.5	1	0.6
5'	4.4	4	3.2	2.2	1.5	1	0.6
6'	3.4	3.2	2.7	2	1.4	0.9	0.6
8'	2.1	2	1.8	1.5	1.1	0.8	0.6
10'	1.4	1.4	1.3	1.1	0.9	0.7	0.5

Multiple Unit Footcandles 2.5' from wall (spacing between fixtures)								
•	3	•	•	•	4	•		
4.3	4.4	4.3			4.1	2.4	4.1	
9.9	9.9	9.9			8.8	7.4	8.8	
9.4	10.2	9.4			8.5	8.1	8.5	
8.1	8.8	8.1			7.2	7.4	7.2	
6.6	7.4	6.6			5.9	6.4	5.9	
5.4	6	5.4			4.8	5.4	4.8	
3.6	3.9	3.6			3.3	3.7	3.3	
2.5	2.7	2.5			2.3	2.6	2.3	

### Wall Wash, 2000 lumen

L815MED20WW930MB	Lumens	1739 Lm	Watts	24.7 W	LPW	70.4 Lm/W
	CCT	SC (0/90/45)				
	3000K	0.44 / 0.77 / 0.63				

Single Unit Footcandles 2.5' from wall (distance from fixture along wall)							
DD	0	1	2	3	4	5	6
1'	7	5.4	2.1	0.5	0.2	0.1	0
2'	13.9	11	6.5	3.5	1.6	0.6	0.2
3'	12.4	10.6	7.1	4.2	2.5	1.5	0.8
4'	10	8.7	6.5	4.2	2.7	1.7	1.1
5'	7.8	7.1	5.6	3.9	2.6	1.7	1.1
6'	6	5.6	4.7	3.5	2.4	1.6	1.1
8'	3.8	3.6	3.2	2.6	2	1.5	1
10'	2.5	2.4	2.2	1.9	1.6	1.2	0.9

Multiple Unit Footcandles 2.5' from wall (spacing between fixtures)								
•	3	•	•	•	4	•		
7.5	7.7	7.5			7.2	4.2	7.2	
17.4	17.4	17.4			15.5	12.9	15.5	
16.6	17.9	16.6			14.9	14.2	14.9	
14.2	15.5	14.2			12.7	13	12.7	
11.7	13	11.7			10.4	11.3	10.4	
9.6	10.6	9.6			8.5	9.5	8.5	
6.4	6.9	6.4			5.8	6.5	5.8	
4.4	4.8	4.4			4.1	4.5	4.1	

### Wall Wash, 3000 lumen

L815MED30WW930MB	Lumens	2278 Lm	Watts	37.7 W	LPW	60.4 Lm/W
	CCT	SC (0/90/45)				
	3000K	0.44 / 0.77 / 0.63				

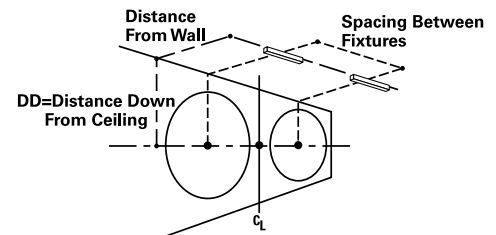
Single Unit Footcandles 2.5' from wall (distance from fixture along wall)							
DD	0	1	2	3	4	5	6
1'	9.1	7.1	2.8	0.7	0.3	0.1	0.1
2'	18.2	14.5	8.5	4.6	2.1	0.7	0.2
3'	16.2	13.9	9.3	5.5	3.3	2	1.1
4'	13.1	11.5	8.5	5.5	3.5	2.2	1.4
5'	10.2	9.3	7.4	5.1	3.4	2.2	1.5
6'	7.9	7.4	6.2	4.6	3.2	2.1	1.5
8'	4.9	4.7	4.2	3.5	2.7	1.9	1.4
10'	3.3	3.2	2.9	2.5	2.1	1.6	1.2

Multiple Unit Footcandles 2.5' from wall (spacing between fixtures)								
•	3	•	•	•	4	•		
9.8	10.1	9.8			9.4	5.5	9.4	
22.8	22.8	22.8			20.4	17	20.4	
21.8	23.5	21.8			19.6	18.6	19.6	
18.6	20.4	18.6			16.6	17	16.6	
15.3	17	15.3			13.6	14.8	13.6	
12.5	13.8	12.5			11.1	12.4	11.1	
8.4	9.1	8.4			7.6	8.5	7.6	
5.8	6.2	5.8			5.3	5.9	5.3	

### Notes

- Illuminance values for multiple fixtures are based upon the center two units of a four unit array. Footcandle values are center line of fixtures and centered between fixtures. 1 footcandle = 10.76 lux. 1 foot(') = 304.8mm.
- Illuminance values are cosine corrected initial value with no contribution from inter reflections from other room surfaces. Total illumination may increase from contributions from other surfaces.
- Changing fixture spacing will affect illuminance level.
 

$\frac{\text{Existing Spacing}}{\text{New Spacing}}$	x	Average Table Fc Level
--	---	------------------------
- 39W Multiplier = .5



Note: Refer to IES files for more product data.