

Project		Catalog #		Type	
Prepared by		Notes		Date	



# HALO

## RL4 Slope Ceiling | Direct Mount

4" Slope Ceiling LED Direct Mount Module  
900 Lumen Series

### Typical Applications

Residential

### Interactive Menu

- Order Information [page 2](#)
- Product Specifications [page 2](#)
- Energy Data [page 3](#)
- Photometric Data [page 3](#)
- Product Warranty

### Product Certification



Refer to ENERGY STAR® Certified Products List.  
Can be used to comply with California Title 24 High Efficacy requirements.  
Certified to California Appliance Efficiency Database under JA8.

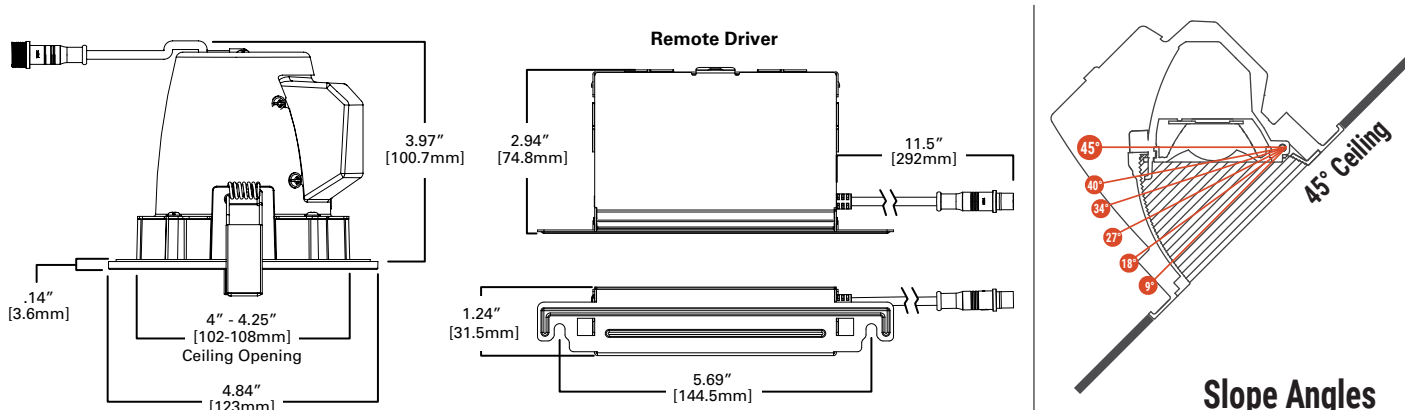
### Product Features



### Top Product Features

- Adjusts from 9° to 45° to match virtually any ceiling pitch
- Select from 5 CCTs via switch: 2700K, 3000K, 3500K, 4000K, 5000K
- Canless installation, no housing required
- 120V input, phase cut dimming to 5%
- Perfect for new construction or remodel work

### Dimensional and Mounting Details



## Order Information

SAMPLE ORDER NUMBER: **RLS4099FS1EWHDMR**

A complete luminaire consists of an LED module and remote driver/junction box.

Models	Lumens	CRI/CCT	Driver	Finish	Mounting	Packaging
<b>RLS4</b> = 4" RL Slope Ceiling direct mount module	<b>09</b> = 900 lumen series (nominal)	<b>9FS</b> = 90 CRI min, 5-color selectable CCT	<b>TE</b> = 120V 60Hz, LE & TE phase cut 5% dimming	<b>WH</b> = Matte white baffle	<b>DM</b> = Direct Mount	<b>R</b> = recyclable 4-color unit carton
<b>Notes</b>	<b>Notes</b>	<b>Notes</b>	<b>Notes</b>	<b>Notes</b>	<b>Notes</b>	<b>Notes</b>

### Accessories

Accessories
<p><b>Mounting Frame</b>  <b>HL4RSMF</b> = 4" round and square new construction mounting frame</p> <p><b>Extension Cable   select Table Driver/Jbox</b>  <b>HLB06FSEC</b> - 6 ft. extension cable  <b>HLB12FSEC</b> - 12 ft. extension cable  <b>HLB20FSEC</b> - 20 ft. extension cable</p>

## Product Specifications

### Module

- LED module consists of LED (chip on board), optical assembly, driver and self-flanged trim
- Regressed baffle style trim
- Achieving L70 at 50,000 hours in IC and non-IC applications
- Adjustment mechanism tilts the light engine from 9° up to 45° to match 2/12 to 12/12 ceiling pitches

### Gaskets

- Closed cell gasket achieves restrictive airflow requirements without additional caulking

### LED

- Chip on board LEDs provide a uniform source with high efficiency and no pixilation
- Available in 90 CRI minimum, R9 greater than 50 and color accuracy within 4 SDCM provide color accuracy and uniformity
- Available in 5-color field selectable CCT: 2700K, 3000K, 3500K, 4000K, 5000K

### Optical Assembly

- Optical assembly provides flood distribution useful for general and task lighting in sloped ceiling applications
- Diffuse injection molded lens with contoured profile provides uniformity and a familiar lamp like appearance
- Meets ENERGY STAR® color angular uniformity requirements

### Junction Box

- Die formed metal driver / junction box with captive hinged junction box cover
- Listed for (6) #12 AWG 90° C splice conductors, 2-in, 2-out plus (2) ground
- (2) ½" conduit pry-outs
- (3) 4-port push wire nuts for quick and reliable mains voltage connections
- Integral mounting facilitates direct mounting to building structure or mounting frame

### Driver

- Remote 120V 60 Hz constant current driver provides high efficiency operation
- Continuous, flicker-free dimming from 100% to 5% with select leading or trailing edge 120V phase cut dimmers – consult dimming guide for more information
- Consult dimmer manufacturer for compatibility and conditions of use

### Installation

- Can be installed in 1/2" to 1-1/4" thick ceilings
- Round ceiling cutout
- Heat treated springs hold fixture fitting securely in the ceiling eliminating light leaks
- Can be removed from below the ceiling for service or replacement

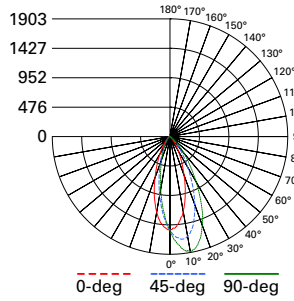
### Compliance

- UL Certified for US and Canada, type IC suitable for direct contact with air permeable insulation
- Not for use in direct contact with spray foam insulation, reference NEMA LSD57-2013
- Damp location listed
- Air-tite per ASTM-E283
- Suitable for use in clothes closets when installed in accordance with the NEC 410.16 spacing requirements
- EMI/RFI emissions per FCC 47CFR Part 15 consumer limits
- Contains no mercury or lead and is RoHS compliant
- Photometric testing in accordance with IES LM79-08
- Lumen maintenance projections in accordance with IES LM-80-08 and TM-21-11
- Compliant with California Title 24 High Efficiency LED under JA8, reference Modernized Appliance Efficiency Database System (MAEDBS) for 2019 JA8 High Efficacy Lighting
- ENERGY STAR® certified, reference "Certified Light Fixtures" database

### Warranty

- Five year limited warranty, consult website for details. [www.cooperlighting.com/legal](http://www.cooperlighting.com/legal)

## Photometric Data



**RLS4099FSE1WHDM-3000K**  
 Spacing criterion: (0-180) 0.61  
 (90-270) 0.76  
 (Diagonal) 0.7  
 Beam Angle: 37°  
 Field Angle: 73°  
 Lumens: 966  
 Input Watts: 11.1 W  
 Efficacy: 87.0 LPW  
 Test Report:  
 RLS4099FSE1WHDM 3000K.ies

Zonal Lumen	Lumens	% Lumens
0-30	693	71.8
0-40	849	87.9
0-60	946	98
0-90	963	99.7

TM-30-15	Rf = 92
	Rg = 98
CRI/CIE	Ra = 94
	R9 = 63

CCT - Range of 2700K- 5000K



37°

## Energy Data

Energy Data @ 3000K	
Lumens	900 Series
Input Voltage	120V
Input Current	93.76 (mA)
Input Power	11.1 (W)
Efficiency	87.0 (LPW)
Inrush (A)	1.66 (A)
THD: ≤ 20%	
PF: ≥ 0.90	
T Ambient -30 - +40°C	
Sound Rating ≤ 22dBA	

RLS4-DM	CCT	Lumens	Power (W)	LPW
Field Selectable CCT	2700K	950	11.1	85.6
	3000K	966	11.1	87.0
	3500K	986	11.1	88.8
	4000K	1003	11.2	89.6
	5000K	1027	11.2	91.7

## Product Specifications

RLS4099FS1EWHDMR

**PRODUCT SPECIFICATIONS**

<b>Lumens</b>	<b>966</b>
<b>Watts</b>	<b>11.1</b>
<b>Lumens Per Watt (Efficacy)</b>	<b>87.0</b>
<b>Color Accuracy (CRI)</b>	<b>93</b>
<b>Light Color (CCT)</b>	<b>3000K</b>
Correlated Color Temperature (CCT)	
2700K	3000K
4500K	6500K