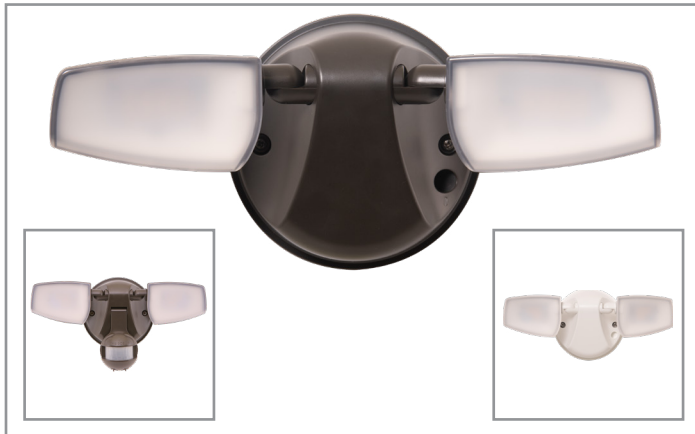


|             |  |           |  |      |  |
|-------------|--|-----------|--|------|--|
| Project     |  | Catalog # |  | Type |  |
| Prepared by |  | Notes     |  | Date |  |



# HALO OUTDOOR

## ESF Floodlights

ESF twin head LED Security Floodlight provides energy-efficient, low-maintenance lighting solution for outdoor areas. Available in 1420 lumen and 2372 lumen Flood, Dusk-to-Dawn, or Motion activated fixture. Integrated LEDs are rated at 50,000 hours of maintenance free operation.

This flood light is ideal for walkways, yards, patios, play areas and driveways creating an inviting exterior space as well as providing safety and security. Diffused lens is fully gasketed to keep out moisture, dirt, bugs and other contaminants. Available in white and bronze finish

### Typical Applications

Retail, Residential , Outdoor Area/Site

### Product Certification



### Product Features



### Interactive Menu

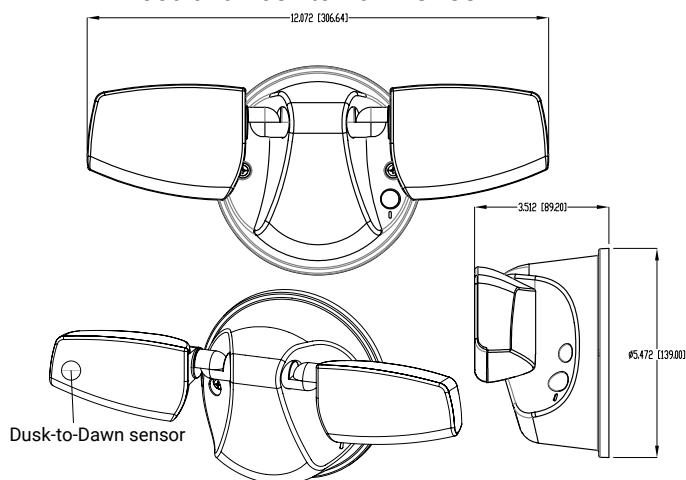
- Order Information [page 2](#)
- Product Specifications [page 2](#)
- Product Warranty [page 2](#)
- Photometric Data [page 3](#)

### Top Product Features:

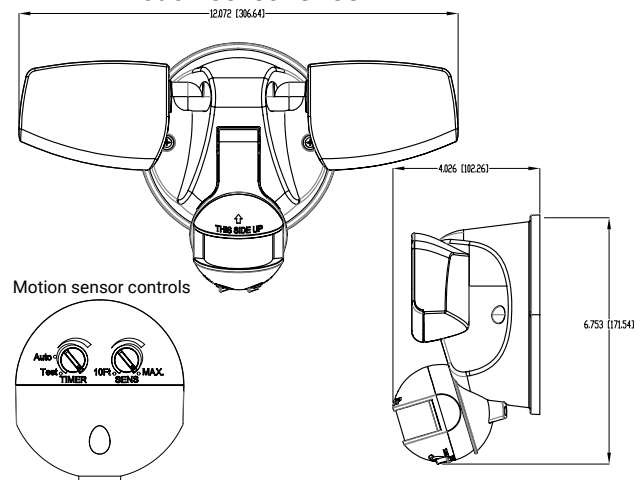
- Constructed of rust-free polycarbonate housing
- Available in textured white and bronze finish
- 50,000 hours of rated LED life
- Rated for damp and wet locations
- Zero maintenance LED fixture
- 1-year warranty

### Dimensions:

Flood and Dusk-to-Dawn SKUs



Motion Sensor SKUs



## Order Information

SAMPLE ORDER NUMBER: **ESF2A4FB /ESF1A4DB/ ESF2A4MB**

| Family | Lumens   | CCT      | Options  | Finish                |
|--------|--|----------|--|-----------------------|
| ESF    | 1A = 1420 lumens (Nominal)<br>2A = 2372 lumens (Nominal) | 4= 4000K | F = Flood<br>D = Dusk-to-Dawn<br>M = Motion + Dusk-to-Dawn | B= Bronze<br>W= White |

\* Motion sensor SKU includes Dusk to Dawn photocell for On/Off function

## Product Specifications

### Construction

- Lightweight, rust free polycarbonate construction
- Tool-less head and motion sensor adjustment
- Wall or eave mounted to recessed junction boxes

### Optics

- Sleek wrap around lens design to push more light to where you need it

### Electrical

- 120VAC, 60Hz
- Built to last with maintenance-free
- LEDs with 50,000 life hours
- Fixture operating temperature of -30°C to 40°C
- External supply wiring 75°C minimum
- Integral photocell allows for nighttime ON / daytime OFF operation (Integrated sensor SKUs only)
- The motion sensor has a 180° detection up to 50' range, with adjustable sensitivity and duration from 1-12 minutes. (Motion sensor SKUs only)

### Compliance

- UL certified for US and Canada for wet locations
- EMI/RFI emissions per FCC 47CFR Part 15B
- Contains no mercury or lead and RoHS compliant.
- Photometric testing in accordance with IES LM-79-08
- Lumen maintenance projections in accordance with IES LM-80-08 and TM-21-11.

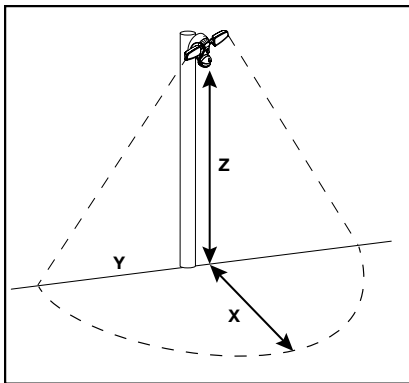
### Finish

- Textured Bronze and White Finish

### Warranty

- One year limited warranty, consult website for details. [www.cooperlighting.com](http://www.cooperlighting.com)

## Suggested Mounting Height



X = Forward Throw  
Y = Wall Spread  
Z = Mounting Heights

### Notes:

Forward throw X = 1/2 Y for wall-mount applications only  
See IES files for detailed photometry

| Minimum Footcandles (FC)  |        | 0.50 FC |    |     |    |     |    |
|---|--------|---------|----|-----|----|-----|----|
| Mounting Height (Z)   |        | 10'     |    | 15' |    | 20' |    |
| Catalog Number  | Lumens | X       | Y  | X   | Y  | X   | Y  |
| ESF1A4DB / ESF1A4DW<br>ESF1A4FB / ESF1A4FW<br>ESF1A4MB / ESF1A4MW | 1420   | 26      | 26 | 30  | 30 | 31  | 31 |
| ESF2A4DB / ESF2A4DW<br>ESF2A4FB / ESF2A4FW<br>ESF2A4MB / ESF2A4MW | 2372   | 32      | 32 | 36  | 36 | 40  | 40 |

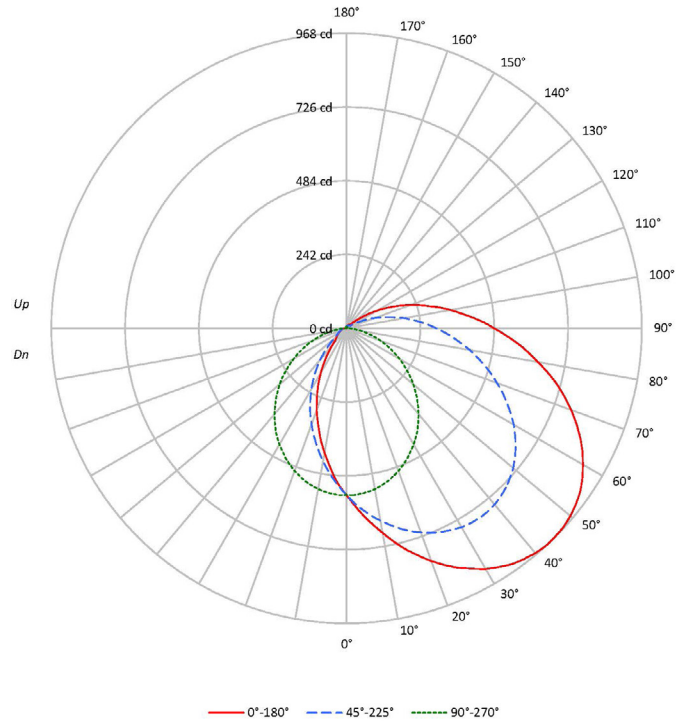
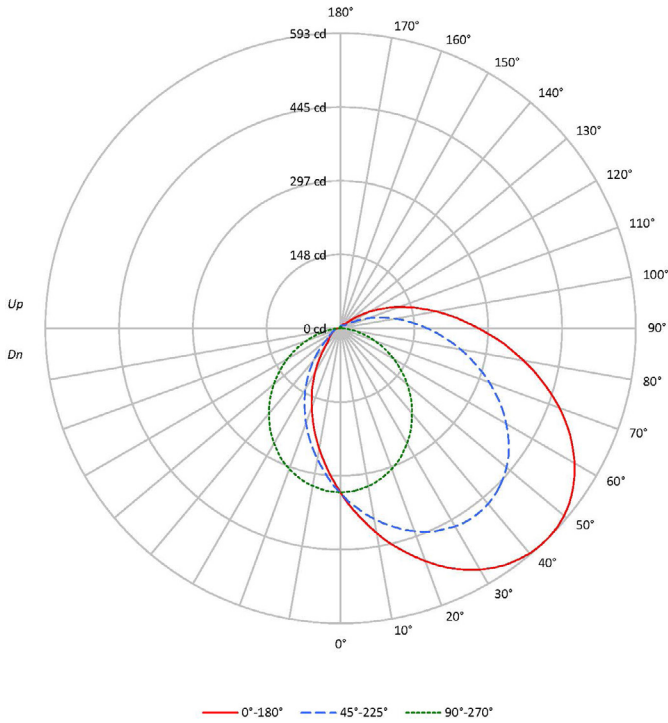
## Photometric Data

| Series    | Voltage (V) | Power (W) | Delivered Lumens | Efficacy (Lum/ Watt) | Led Color Temperature (K) | CRI | Controls             |
|-----------|-------------|-----------|------------------|----------------------|---------------------------|-----|----------------------|
| ESF1A4DB  | 120V        | 15.0      | 1420             | 95.5                 | 4000K                     | 80  | INTEGRATED PHOTOCELL |
| ESF1A4DW  | 120V        | 15.0      | 1420             | 95.5                 | 4000K                     | 80  | INTEGRATED PHOTOCELL |
| ESF1A4FB  | 120V        | 15.0      | 1420             | 95.5                 | 4000K                     | 80  | NONE                 |
| ESF1A4FW  | 120V        | 15.0      | 1420             | 95.5                 | 4000K                     | 80  | NONE                 |
| ESF1A4MB* | 120V        | 15.0      | 1420             | 95.5                 | 4000K                     | 80  | MOTION SENSOR        |
| ESF1A4MW* | 120V        | 15.0      | 1420             | 95.5                 | 4000K                     | 80  | MOTION SENSOR        |
| ESF2A4DB  | 120V        | 23.9      | 2372             | 99.2                 | 4000K                     | 80  | INTEGRATED PHOTOCELL |
| ESF2A4DW  | 120V        | 23.9      | 2372             | 99.2                 | 4000K                     | 80  | INTEGRATED PHOTOCELL |
| ESF2A4FB  | 120V        | 23.9      | 2372             | 99.2                 | 4000K                     | 80  | NONE                 |
| ESF2A4FW  | 120V        | 23.9      | 2372             | 99.2                 | 4000K                     | 80  | NONE                 |
| ESF2A4MB* | 120V        | 23.9      | 2372             | 99.2                 | 4000K                     | 80  | MOTION SENSOR        |
| ESF2A4MW* | 120V        | 23.9      | 2372             | 99.2                 | 4000K                     | 80  | MOTION SENSOR        |

\*Inventory available in May 2021

**Photometric Data : ESF1A4DB / ESF1A4DW  
ESF1A4FB / ESF1A4FW  
ESF1A4MB / ESF1A4MW**

**Photometric Data : ESF2A4DB / ESF2A4DW  
ESF2A4FB / ESF2A4FW  
ESF2A4MB / ESF2A4MW**



FIELD PERFORMANCE MAY DIFFER FROM LABORATORY PERFORMANCE

3 of

FIELD PERFORMANCE MAY DIFFER FROM LABORATORY PERFORMANCE

3 of

**ZONAL LUMENS:**

| Zone      | Lumens | % Fixture |
|-----------|--------|-----------|
| 0°-10°    | 31.3   | 2.2       |
| 10°-20°   | 91.3   | 6.4       |
| 20°-30°   | 142.6  | 10.0      |
| 30°-40°   | 179.2  | 12.5      |
| 40°-50°   | 197.3  | 13.8      |
| 50°-60°   | 197.7  | 13.8      |
| 60°-70°   | 179.8  | 12.6      |
| 70°-80°   | 148.1  | 10.3      |
| 80°-90°   | 110.0  | 7.7       |
| 90°-100°  | 73.5   | 5.1       |
| 100°-110° | 43.5   | 3.0       |
| 110°-120° | 21.5   | 1.5       |
| 120°-130° | 8.0    | 0.6       |
| 130°-140° | 3.2    | 0.2       |
| 140°-150° | 2.4    | 0.2       |
| 150°-160° | 1.6    | 0.1       |
| 160°-170° | 0.8    | 0.1       |
| 170°-180° | 0.2    | 0.0       |
| 0°-30°    | 265.2  | 18.5      |
| 0°-40°    | 444.4  | 31.0      |
| 0°-60°    | 839.4  | 58.6      |
| 0°-90°    | 1277.3 | 89.2      |
| 90°-120°  | 138.4  | 9.7       |
| 90°-150°  | 152.0  | 10.6      |
| 90°-180°  | 155.0  | 10.8      |
| 0°-180°   | 1432.0 | 100.0     |

**ZONAL LUMENS:**

| Zone      | Lumens | % Fixture |
|-----------|--------|-----------|
| 0°-10°    | 52.0   | 2.2       |
| 10°-20°   | 151.0  | 6.4       |
| 20°-30°   | 234.6  | 9.9       |
| 30°-40°   | 293.1  | 12.4      |
| 40°-50°   | 321.2  | 13.5      |
| 50°-60°   | 322.4  | 13.6      |
| 60°-70°   | 295.9  | 12.5      |
| 70°-80°   | 247.0  | 10.4      |
| 80°-90°   | 186.9  | 7.9       |
| 90°-100°  | 127.0  | 5.4       |
| 100°-110° | 76.1   | 3.2       |
| 110°-120° | 37.6   | 1.6       |
| 120°-130° | 13.5   | 0.6       |
| 130°-140° | 5.3    | 0.2       |
| 140°-150° | 3.8    | 0.2       |
| 150°-160° | 2.6    | 0.1       |
| 160°-170° | 1.4    | 0.1       |
| 170°-180° | 0.4    | 0.0       |
| 0°-30°    | 437.6  | 18.4      |
| 0°-40°    | 730.7  | 30.8      |
| 0°-60°    | 1374.3 | 57.9      |
| 0°-90°    | 2104.1 | 88.7      |
| 90°-120°  | 240.8  | 10.2      |
| 90°-150°  | 263.3  | 11.1      |
| 90°-180°  | 268.0  | 11.3      |
| 0°-180°   | 2371.7 | 100.0     |