

Catalog #		Date		Prepared by	
Project		Type		Notes	



## HALO OUTDOOR

### AL6501LED Area Light

The AL6501LED Utility Light is a simple and energy efficient means of bolstering the security around your home or business. It's an excellent addition for garages, backyards, patios and any other outdoor area that requires immediate lighting.

Utilizing an integrated LED design removes the hassle of having to replace bulbs. Also offering low energy consumption of only 27.8-Watt and sturdy aluminum construction.

This security light also features an integrated Dusk to Dawn photocell, activating the light fixture at dusk and deactivating at dawn.

#### Typical Applications

Outdoor Area/Site • Residential

#### Interactive Menu

- Order Information page 2
- Product Warranty page 2
- Photometric Data page 3

#### Product Certification



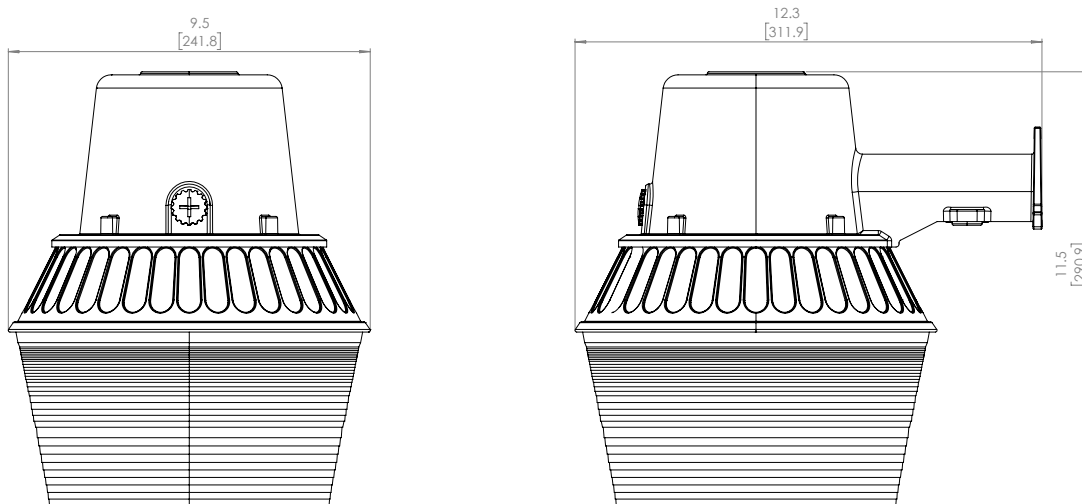
#### Top Product Features

- Heavy duty corrosion-resistant die-cast metal housing
- Prismatic PC drop lens provides diffuse illumination up to 1600sqft approx 40ft x 40ft
- Easy to install on Wall or Pole mount (Pole sold separately)
- UL listed for Wet and Damp locations
- Efficient integrated LED means zero maintenance or bulb replacements

#### Product Features

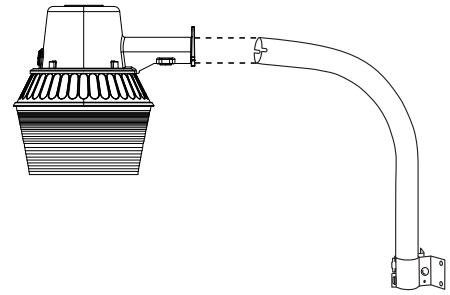


#### Dimensional and Mounting Details



## Order Information

Series	Accessories
<b>AL6501LED</b> = Area Light Standard, 4000 Lumens, 4000K, Grey Finish	<b>EA24</b> = Mounting Arm for pole mount (sold separately)



## Product Specifications

### Construction

- Heavy duty corrosion-resistant die-cast metal housing
- Suitable for wall or pole mounting applications
- Traditional look and feel with integrated LED

### Optics

- High impact prismatic PC lens provides smooth illumination
- Traditional look and feel with integrated LED
- 4000K dedicated CCT

### Mounting

- Easily mounts to a wooden post, pole or wall using 2" lag screws.
- Can be mounted to a 1-1/4" pipe (1-5/8" Outer Diameter)- pipe not included
- Use EA24 accessory for pole mounting- pole not included

### Electrical

- 27.8W Input wattage
- 120VAC, 60Hz
- Built to last with maintenance free LEDs with 50,000 life hours
- Fixture operating temperature of -30°C to 40°C
- External supply wiring 90°C minimum
- Integral photocell allows for nighttime ON / daytime OFF operation

### Compliance

- EMI/RFI emissions per FCC 47CFR Part 15B
- Contains no mercury or lead and RoHS compliant
- Photometric testing in accordance with IES LM-79-08
- Lumen maintenance projections in accordance with IES LM-80-08 and TM-21-11

### Certifications

- UL certified for USA and Canada for wet locations
- Contains no mercury or lead - RoHS compliant (RoHS 2.0)

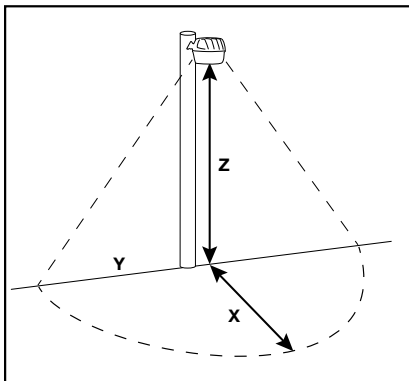
### Finish

- Light grey finish

### Warranty

- Five year limited warranty
- Consult website for details [cooperlighting.com/legal](http://cooperlighting.com/legal)

## Suggested Mounting Height



Minimum Footcandles (FC)		0.50 FC								
Mounting Height (Z)		10'			15'			20'		
Catalog Number	Lumens	X	Y	Z	X	Y	Z	X	Y	Z
<b>AL6501LED</b>	4,082	19.6'	39.2'	10'	22.5'	45'	15'	23.6'	47.7'	20'

X = Forward Throw  
Y = Wall Spread  
Z = Mounting Heights

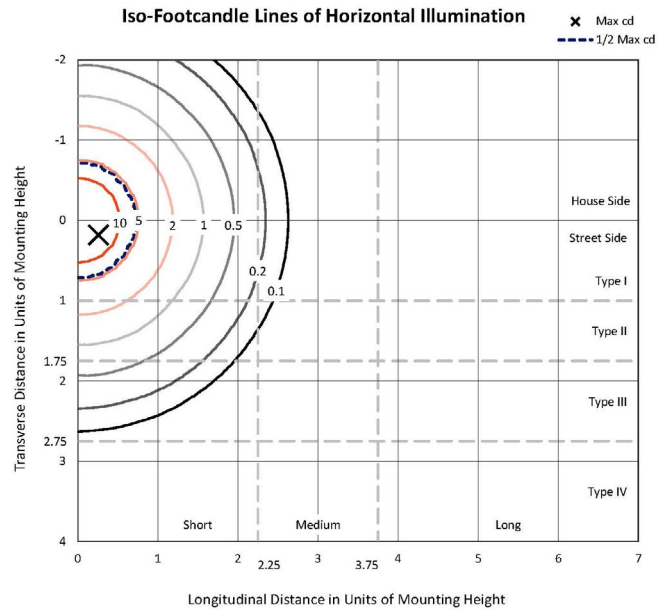
Notes:  
Forward throw X = 1/2 Y for wall-mount applications only  
See IES files for detailed photometry

## Photometric Data

Series	Voltage (V)	Power (W)	Delivered Lumens	Efficacy (Lum/ Watt)	Led Color Temperature (K)	CRI	Photocontrol
AL6501LED	120V	27.8W	4000	144	4000K	80	INTEGRATED PHOTOCCELL

### ZONAL LUMENS:

Zone	Lumens	% Fixture
0°-10°	171.7	4.2
10°-20°	566.1	13.9
20°-30°	747.3	18.3
30°-40°	651.1	16.0
40°-50°	638.2	15.6
50°-60°	584.3	14.3
60°-70°	404.2	9.9
70°-80°	125.2	3.1
80°-90°	58.6	1.4
90°-100°	31.3	0.8
100°-110°	23.0	0.6
110°-120°	20.6	0.5
120°-130°	20.1	0.5
130°-140°	19.3	0.5
140°-150°	14.3	0.4
150°-160°	5.8	0.1
160°-170°	0.7	0.0
170°-180°	0.0	0.0
0°-90°	3946.8	96.7
0°-180°	4081.9	100.0



Based on 10 foot mounting height. Maximum calculated value = 18.2 fc

### Luminous Intensity Polar Plot

