

Project		Catalog #		Type	
Prepared by		Notes		Date	



HALO

QuickLink | LT4-DM Phase Cut

Halo QuickLink Low Voltage Lighting Kit
Canless Installation

Typical Applications

- Residential

Product Certification



Refer to ENERGY STAR® Certified Products List.
Can be used to comply with California Title 24 High Efficacy requirements.
Certified to California Appliance Efficiency Database under JAB.

Product Features



Interactive Menu

- Order Information page 2
- Product Specifications page 2
- Photometric Data page 4
- Product Warranty

Top Product Features

- Single driver powers multiple LED fixtures connected by low voltage cable
- Selectable CCT: 2700K, 3000K, 3500K, 4000K, 5000K
- Direct mount – does not require recessed housing or junction box
- 120V input, dimmable down to 10% with select phase cut dimmers
- Perfect for new construction or remodel work
- Power supply and LED units are IC rated

QuickLink

Low Voltage Kit



1 POWER SUPPLY & **4** FIXTURES
35ft.

SAVE UP TO **85%**
WIRING TIME

Order Information

SAMPLE ORDER NUMBER: (1) LTQL4069S1EDM-4PK, (2) LTQL4069S1EDM

Purchase kit and additional fixtures separately.

Low Voltage Lighting Kit

Kit includes (1) 70W low voltage remote driver, 35ft of low voltage CM cable, (4) LTQL4 fixtures

Model	Lumens	CRI/CCT	Driver	Installation	Kit Size
LTQL4 = 4-inch LT QuickLink Low Voltage Lighting	06 = 600 lumens (nominal)	9S = 90 CRI min, 5-color selectable CCT	1E = 120V, phase cut 5% dimming	DM = Direct mount canless installation	-4PK = 4 pack kit including driver
Notes	Notes	Notes	Notes	Notes	Notes

Additional Fixtures⁽¹⁾

Driver **NOT** included. Connect additional fixtures to Low Voltage Lighting Kit.

Model	Lumens	CRI/CCT	Driver	Installation
LTQL4 = 4-inch LT QuickLink Low Voltage Lighting	06 = 600 lumens (nominal)	9S = 90 CRI min, 5-color selectable CCT	1E = 120V, phase cut 5% dimming	DM = Direct mount canless installation
Notes	Notes	Notes	Notes	Notes

(1) Maximum 8 fixtures per driver.

Accessories

Accessories
Mounting Frames⁽²⁾ HL4RSMF = 4" round and square mounting frame
Notes
(2) Due to its size, the QuickLink Remote Driver must mount to the building structure, not a mounting frame.

Fixture Count		
Model	Watts per Downlight	Max Downlights
LT-DM 4" Phase Cut	7.0 W	8

Product Specifications

Modules

- Module construction includes LED Array, heat sink, reflector, lens, splay and trim ring.
- Regressed splay
- Heat sink designed to conduct heat away from the LED Array

Gaskets

- Closed cell gasket achieves restrictive airflow requirements without additional caulking

LED Array

- Plurality of mid power LED's provides a uniform source with high efficiency and long life
- 90 color rendering index (CRI) minimum; R9 greater than 50 provides high color rendering
- Field selectable color temperature, select 2700K, 3000K, 3500K, 4000K or 5000K CCT; color accuracy within 4 SDCM
- Meets ENERGY STAR® color angular uniformity requirements

Optical Assembly

- Regressed lens
- Impact-resistant polycarbonate
- Convex form and lamp-like appearance
- Diffuse for even illumination

Junction Box

- Pre-galvanized steel driver/junction box with captive hinged junction box cover
- Hinged junction box for easier installation into ceiling plenum
- Three 1/2" conduit pry-outs
- Two Slide-N-Side™ non-metallic (NM) wire traps allows wiring outside the box
- Accepts NM cable types: 14-2, 14-3, 12-2, 12-3 (U.S.) and 14-2, 14-3, 12-2 (Canadian)
- Three 4-port push wire nuts with clear caps for quick and reliable mains voltage connections
- Integral mounting holes facilitate direct mounting to building structure

Driver

- 70W 120V, providing noise free operation
- Continuous flicker-free dimming down to 10% with select phase cut dimmers
- Inline electrical quick connect provides low voltage connection to fixture fitting

Installation

- Can be installed in 1/2" to 1-1/4" thick ceilings
- Heat treated springs hold fixture fitting securely in the ceiling
- Halo QuickLink Quick Connectors allow for quick installation of additional fixtures

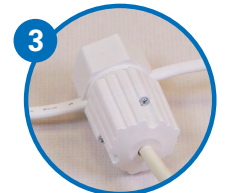
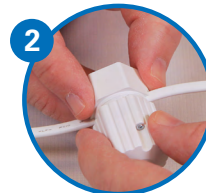
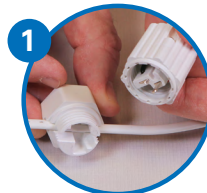
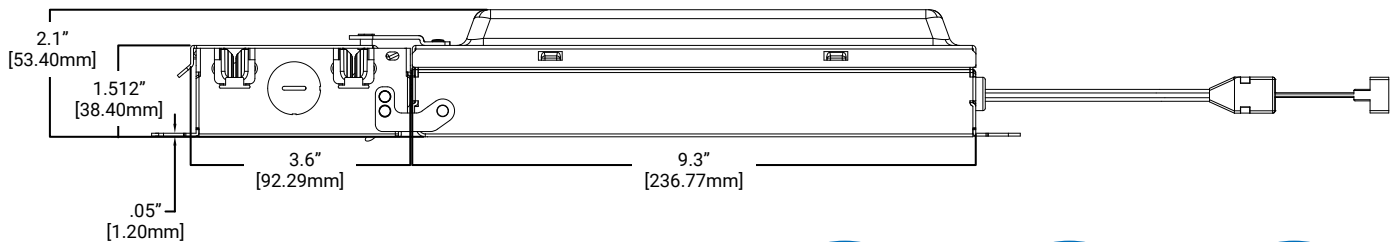
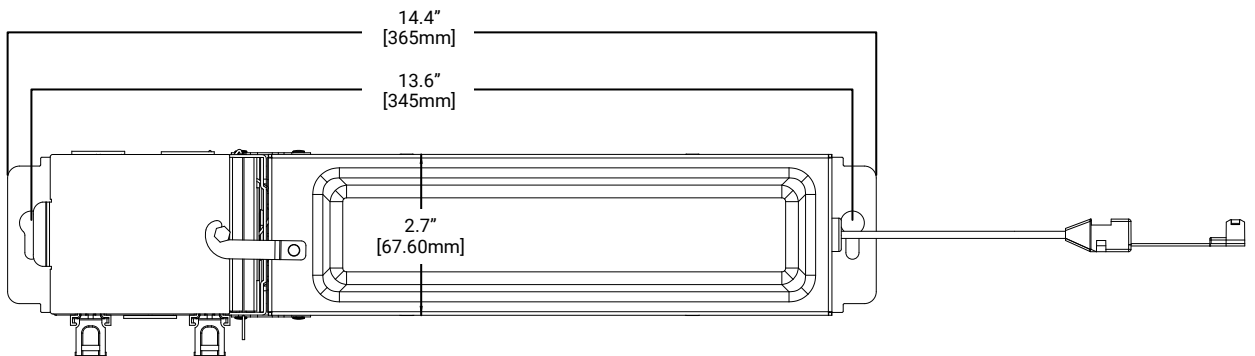
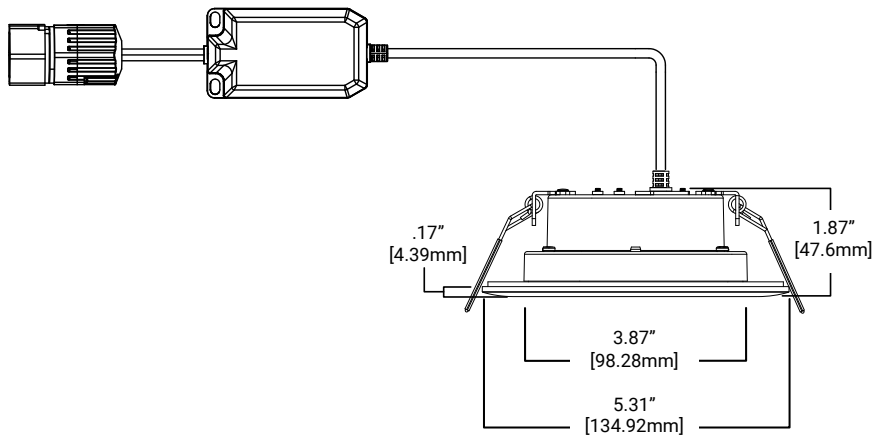
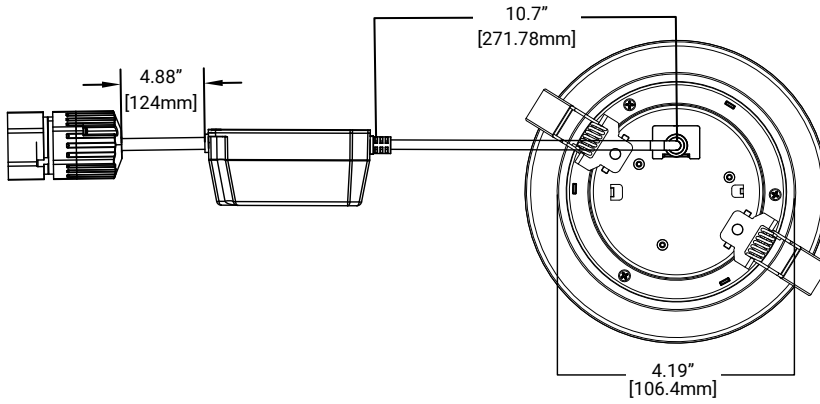
Compliance

- UL Certified for US and Canada
- NOTE:** Not for use in direct contact with spray foam insulation, reference NEMA LSD57-2013
- Wet location listed and IP44 ingress protection
- Air-tite per ASTM-E283-04
- Suitable for use in clothes closets when installed in accordance with the NEC 410.16 spacing requirements
- EMI/RFI emissions per FCC 47CFR Part 15 consumer limits
- Contains no mercury or lead and RoHS compliant
- Photometric testing in accordance with IES LM-79-08
- Lumen maintenance projections in accordance with IES LM-80-08 and TM-21-11
- Compliant with California Title 24 High Efficiency LED under JA8, reference Modernized Appliance Efficiency Database System (MAEDBS) for 2019 JA8 High Efficacy Lighting
- ENERGY STAR® certified (reference "Certified Light Fixtures" database)

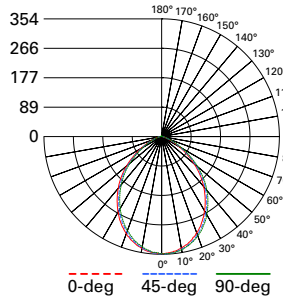
Warranty

- Five year limited warranty, consult website for details. www.cooperlighting.com/legal

Dimensional and Mounting Details



Photometric Data



LTQL4069S1EDM-3000K-UNIT

Spacing criterion: (0-180) 1.12
(90-270) 1.18
(Diagonal) 1.20

Beam Angle: 87°

Field Angle: 132°

Lumens: 675

Input Watts: 7.1 W

Efficacy: 95.1 LPW

Test Report:

LTQL4069S1EDM-3000K-UNIT.ies

Zonal Lumen	Lumens	% Lumens
0-30	257	38.2
0-40	401	59.5
0-60	617	91.5
0-90	975	100

TM-30-15	Rf = 92
	Rg = 98
CRI/CIE	Ra = 93
	R9 = 58

CCT - Range of 2700K- 5000K



87°

Note: Lumen output may decrease based on distance from power supply and quantity of LED heads used.

Energy Data - 4 Pack Kit

Lumens	2700 lm @ 3000K
Input Voltage	120V
Input Current	0.29 (A)
Input Power	34 (W)
Efficiency	78.7 (LPW)
Inrush (A)	14 A @ 700 μS
THD	≤ 20%
PF:	≥ 0.9
T Ambient	-30 - +40°C
Sound Rating	≤ 22 dba

Product Specifications

LTQL4069S1EDM

PRODUCT SPECIFICATIONS	
Lumens	675
Watts	7.1
Lumens Per Watt (Efficacy)	95.1
Color Accuracy (CRI)	93
Light Color (CCT) Correlated Color Temperature (CCT)	3000K
2700K	3000K
4500K	6500K
warm white	soft white
bright white	

LTQL4069S1EDM - Individual Fixture					
	CCT	Watts	Lumens	LPW	CRI
Individual Downlight 650LM	2700K	7.1	625	88.0	92
	3000K	7.1	675	95.1	93
	3500K	7.2	700	97.2	94
	4000K	7.2	715	99.3	94
	5000K	7.2	715	99.3	93

LTQL4069S1EDM-4PK - System					
	CCT	Watts	Lumens	LPW	CRI
4PK-System 2600lm	2700K	34.6	2500	72.3	93
	3000K	34.3	2700	78.7	94
	3500K	34.3	2800	81.6	94
	4000K	34.4	2860	83.1	94
	5000K	35.1	2860	81.5	92