

## Description

The Mini Integrated LED Track fixture series is sleek, compact and ideal for accent or display lighting. Featuring die cast construction with an elegant design, these integrated luminaires are ideal for retail store construction, hospitality, other light commercial, or residential applications where superior performance is desired. The mini-series is sized and designed to replace traditional MR16 lamp holders but delivers additional lumens, longer life and excellent optical performance.

Catalog #		Type
Project		
Comments		Date
Prepared by		

## Specification Features

### Quick Lock Adapter

- Attaches electrically and mechanically anywhere along the track.
- Includes discrete locking tab that locks the luminaire on the track and allows for easy removal and repositioning.

### LED Light Engine

- Chip on board LED provides a uniform source with high efficiency and no pixilation.
- Available in 90 CRI minimum, R9 greater than 50 and color accuracy within 3 SDCM provide uniformity.
- Available in 2700K, 3000K, 3500K and 4000K fixed CCT.

### Optics

- The design allows for optics to be changed in the field and adjust as necessary.
- Available in spot, flood and narrow flood distributions

### Media

- Precision machined trim ring contains unique locking mechanism, and can accept 1 piece of standard 2" MR16 media.
- See below for list of compatible media accessories and refer to instruction document for further details on installation.

### Luminaire Arm

- Arm allows the lamp housing tilt to adjust 90° vertically and 355° horizontally. This enables a clean look while providing full aiming capabilities.

### Dimming

- Designed for continuous dimming capability to nominally 5% with many 120V Leading Edge (LE) and Trailing Edge (TE) Phase Control dimmers.
- Consult dimming guide for list of recommended dimmers or dimmer manufacturer for compatibility and conditions of use
- Dimming only available with 120V configurations.

### Driver

- Fixtures are equipped with a 15W integral Universal voltage (120V – 277V), 50/60 Hz constant current driver that provides noise free operation.

### Compliance

- cULus certified for use with Halo single circuit PowerTrac & Global® TEK/HTEK track
- EMI/RFI emissions per FCC 47CFR Part 15 Class B consumer limits.
- Contains no mercury or lead and RoHS compliant.
- Photometric testing in accordance with IES LM-79-08.
- Lumen maintenance projections in accordance with IES LM-80-08 and TM-21-11.
- Options to meet Trade Agreements Act requirements

### Warranty

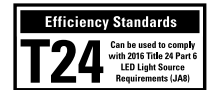
Five year limited warranty, consult website for details. [cooperlighting.com](http://cooperlighting.com)



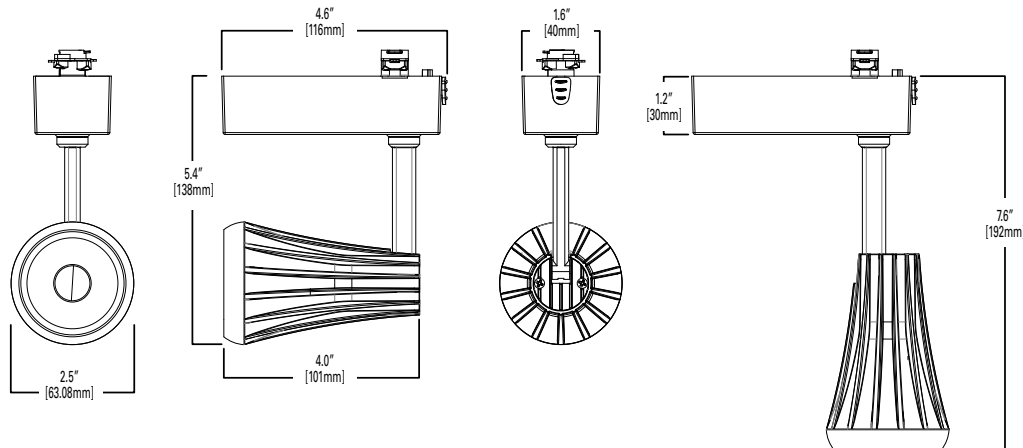
## Halo Mini Series L811

### LED Track Head

90 CRI



## Dimensions



## Ordering Information

**SAMPLE NUMBER:** L81111SP9030SL (Halo Track adapter, 1100 lumen, Spot Distribution, 90 CRI, 3000K, with Silver Finish)

Domestic Preferences <sup>3</sup>	Track System	Series / Style	Lumen Package	Distribution	CRI	Color Temp	Finish	Voltage
[Blank]=Standard TAA=Trade Agreements Act	L= Halo PowerTrac and Lazer Track LJ=Juno® Track <sup>1</sup> LL=Lightolier® Track <sup>2</sup>	811=Mini LED Accent Fixture	11=1100 lumens 08=800 lumens	SP=Spot (15°) NF=Narrow Flood (22°) FL=Flood (38°)	90=90	27=2700K 30=3000K 35=3500K 40=4000K	P=White MB=Matte Black SL=Silver	Blank=120V

**NOTES:** 1. Juno®T single circuit and 2-circuit track contact. Juno® is a registered trademark of Juno® Lighting. 2. Lightolier® Lifespan 6000 single circuit and 2 circuit track contact. Lightolier® is a registered trademark of Philips Lighting. 3. Only product configurations with this designated prefix are built to be compliant with the Trade Agreements Act of 1979 (TAA). Please refer to [DOMESTIC PREFERENCES](#) website for more information. Components shipped separately may be separately analyzed under domestic preference requirements. 4. Accessories sold separately will be separately analyzed under domestic preference requirements. Consult factory for further information.

Select models are DesignLights™ Consortium Qualified. Refer to [www.designlights.org](http://www.designlights.org) Qualified Products List under Family Models for details.



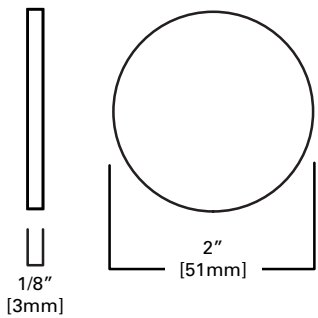
**Accessories (order separately) <sup>4</sup>**

**L100 Series**

**2" 50mm UV and Color Filters**

For use with MR16 and LED lampholders. Make a power lighting statement by injecting soft or intense hues to accent any space.

- L112=Red Gel Filter
- L114=Ultraviolet, Dichoric Filter
- L120=Red, Dichoric Filter
- L121=Amber, Dichoric Filter
- L122=Yellow, Dichoric Filter
- L123=Green, Dichoric Filter
- L124=Daylight Blue, Dichoric Filter
- L125=Blue, Dichoric Filter
- L127=Cosmetic (2700K), Dichoric Filter
- L131=Amber, Gel Filter

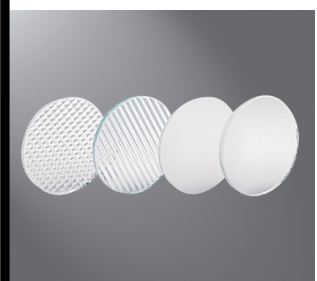
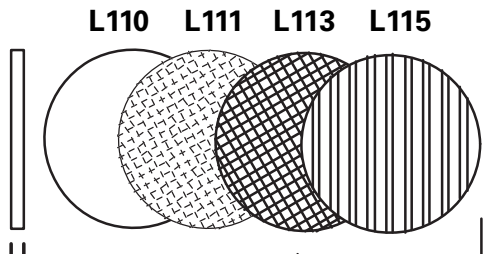


**L100 Series UV and Color Filters**

**L100 Series**

**Optical Lenses**

- L110N**=Diffuse Sandblasted Lens  
Provides an even beam spread from MR16 lamps - especially useful in wall washing.
- L111**=Soft Focus Lens  
Smooths irregular beam pattern while maintaining high controlled illumination levels and beam angles of MR16 lamps.
- L113**=Prismatic Spread Lens  
Provides a symmetrical broadening of MR16 lamp beams. Suitable when a wide, uniform light distribution is required.
- L115**=Linear Spread Lens  
Fans out the MR16 beam 55° (27-1/2° to each side) to produce a wide rectangular pattern.
- L100MB**=Expanded metal louver  
Miniature black finished hexagonal-cell louver - controls light spill while retaining lamp optics.



**L100 Series Optical Lenses**

**811xOPK**

**Interchangable Optics**

- 811SPOPK = 811 or 812 Spot Optic
- 811NFOPK = 811 or 812 Narrow Flood Optic
- 811FLOPK = 811 or 812 Flood Optic



**811xOPK Interchange Optic**

**L1973**

**Track Monopoint**

L1973=description

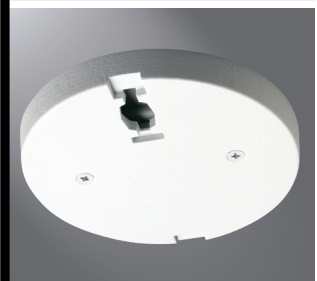


**L1973 Monopoint**

**LZR210**

**Lazer Track Monopoint**

LZR210=description



**LZR210 Monopoint**

Photometry - 800 Lumen

L811 - MB

Color Temp = 3000K 4000K Multiplier = 1.083	0 deg Aiming Angle Horizontal Footcandles			
	MH	FC	L	W
Spot: 15D CBCP: 6406 Lumens: 788 LPW: 76	5'	256.2	1.2	1.2
	7.5'	113.9	2	2
	10'	64.1	2.6	2.6
	12.5'	41	3.2	3.2
	15'	28.5	4	4

30 deg Aiming Angle Horizontal Footcandles				
MH	FC	L	W	CB
5'	169.2	1.6	1.4	2.9
7.5'	75.2	2.6	2.2	4.3
10'	42.3	3.4	3	5.8
12.5'	27.1	4.3	3.8	7.2
15'	18.8	5.2	4.4	8.7

30 deg Aiming Angle Vertical Footcandles on Wall				
D	FC	L	W	CB
3'	104.6	2.6	1.4	5.2
4'	58.8	3.6	1.8	6.9
5'	37.7	4.5	2.4	8.7
6'	26.1	5.4	2.8	10.4

60 deg Aiming Angle Vertical Footcandles on Wall				
D	FC	L	W	CB
3'	470	1	0.8	1.7
4'	264.4	1.3	1.2	2.3
5'	169.2	1.6	1.4	2.9
6'	117.5	2	1.8	3.5

Color Temp = 3000K 4000K Multiplier = 1.083	0 deg Aiming Angle Horizontal Footcandles			
	MH	FC	L	W
Spot: 22D CBCP: 4461 Lumens: 773 LPW: 74	5'	178.4	1.6	1.6
	7.5'	79.3	2.6	2.6
	10'	44.6	3.4	3.4
	12.5'	28.5	4.4	4.4
	15'	19.8	5.2	5.2

30 deg Aiming Angle Horizontal Footcandles				
MH	FC	L	W	CB
5'	120.4	2.2	2	2.9
7.5'	53.5	3.3	3	4.3
10'	30.1	4.5	4	5.8
12.5'	19.3	5.5	5	7.2
15'	13.4	6.7	6	8.7

30 deg Aiming Angle Vertical Footcandles on Wall				
D	FC	L	W	CB
3'	82.6	2.9	1.8	5.2
4'	46.5	3.8	2.4	6.9
5'	29.7	4.8	3	8.7
6'	20.7	5.8	3.6	10.4

60 deg Aiming Angle Vertical Footcandles on Wall				
D	FC	L	W	CB
3'	334.5	1.3	1.2	1.7
4'	188.2	1.7	1.6	2.3
5'	120.4	2.2	2	2.9
6'	83.6	2.6	2.4	3.5

Color Temp = 3000K 4000K Multiplier = 1.083	0 deg Aiming Angle Horizontal Footcandles			
	MH	FC	L	W
Spot: 38D CBCP: 1727 Lumens: 813 LPW: 78	5'	69.1	3	3
	7.5'	30.7	4.6	4.6
	10'	17.3	6.2	6.2
	12.5'	11.1	7.8	7.8
	15'	7.7	9.4	9.4

30 deg Aiming Angle Horizontal Footcandles				
MH	FC	L	W	CB
5'	49.5	3.5	3.4	2.9
7.5'	22	5.4	5.2	4.3
10'	12.4	7.2	6.8	5.8
12.5'	7.9	9	8.6	7.2
15'	5.5	10.9	10.4	8.7

30 deg Aiming Angle Vertical Footcandles on Wall				
D	FC	L	W	CB
3'	45.4	3.3	2.8	5.2
4'	25.5	4.4	3.6	6.9
5'	16.3	5.6	4.6	8.7
6'	11.4	6.7	5.6	10.4

60 deg Aiming Angle Vertical Footcandles on Wall				
D	FC	L	W	CB
3'	137.6	2.1	2	1.7
4'	77.4	2.9	2.6	2.3
5'	49.5	3.5	3.4	2.9
6'	34.4	4.3	4	3.5

Notes and Definitions

Beam spread is to 50% center beam candlepower (CBCP).

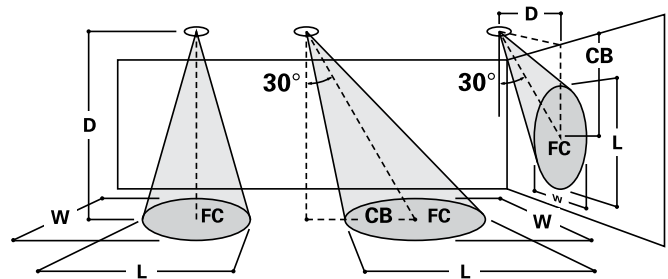
D= Distance in feet to floor or wall.

FC= Footcandles on floor or wall at center beam aiming location.

L= Effective Visual Beam length in feet (50% of maximum footcandle level)

W= Effective Visual Beam width in feet (50% of maximum footcandle level)

CB= Distance in feet across or down to center beam location



Photometry - 1100 Lumen

L811 - MB

Color Temp = 3000K 4000K Multiplier = 1.118	0 deg Aiming Angle Horizontal Footcandles			
	MH	FC	L	W
Spot: 15D CBCP: 9375 Lumens: 1100 LPW: 71	5'	375	1.2	1.2
	7.5'	166.7	2	2
	10'	93.8	2.6	2.6
	12.5'	60	3.2	3.2
	15'	41.7	4	4

30 deg Aiming Angle Horizontal Footcandles				
MH	FC	L	W	CB
5'	250.9	1.6	1.4	2.9
7.5'	111.5	2.5	2.2	4.3
10'	62.7	3.4	3	5.8
12.5'	40.1	4.2	3.8	7.2
15'	27.9	5.1	4.4	8.7

30 deg Aiming Angle Vertical Footcandles on Wall				
D	FC	L	W	CB
3'	157.5	2.5	1.4	5.2
4'	88.6	3.5	1.8	6.9
5'	56.7	4.3	2.4	8.7
6'	39.4	5.2	2.8	10.4

60 deg Aiming Angle Vertical Footcandles on Wall				
D	FC	L	W	CB
3'	697	1	0.8	1.7
4'	392.1	1.3	1.2	2.3
5'	250.9	1.6	1.4	2.9
6'	174.3	2	1.8	3.5

Color Temp = 3000K 4000K Multiplier = 1.118	0 deg Aiming Angle Horizontal Footcandles			
	MH	FC	L	W
Spot: 22D CBCP: 5325 Lumens: 1040 LPW: 67	5'	212.2	1.8	1.8
	7.5'	94.3	2.8	2.8
	10'	53.1	3.6	3.6
	12.5'	34	4.6	4.6
	15'	23.6	5.6	5.6

30 deg Aiming Angle Horizontal Footcandles				
MH	FC	L	W	CB
5'	144.8	2.3	2	2.9
7.5'	64.4	3.5	3	4.3
10'	36.2	4.6	4.2	5.8
12.5'	23.2	5.8	5.2	7.2
15'	16.1	6.8	6.2	8.7

30 deg Aiming Angle Vertical Footcandles on Wall				
D	FC	L	W	CB
3'	101.5	2.8	1.8	5.2
4'	57.1	3.8	2.4	6.9
5'	36.5	4.8	3	8.7
6'	25.4	5.8	3.8	10.4

60 deg Aiming Angle Vertical Footcandles on Wall				
D	FC	L	W	CB
3'	402.3	1.3	1.2	1.7
4'	226.3	1.8	1.6	2.3
5'	144.8	2.3	2	2.9
6'	100.6	2.7	2.4	3.5

Color Temp = 3000K 4000K Multiplier = 1.118	0 deg Aiming Angle Horizontal Footcandles			
	MH	FC	L	W
Spot: 38D CBCP: 2640 Lumens: 1220 LPW: 79	5'	105.6	3	3
	7.5'	46.9	4.6	4.6
	10'	26.4	6.2	6.2
	12.5'	16.9	7.8	7.8
	15'	11.7	9.2	9.2

30 deg Aiming Angle Horizontal Footcandles				
MH	FC	L	W	CB
5'	75.8	3.7	3.4	2.9
7.5'	33.7	5.5	5	4.3
10'	19	7.5	6.8	5.8
12.5'	12.1	9.3	8.4	7.2
15'	8.4	11.2	10.2	8.7

30 deg Aiming Angle Vertical Footcandles on Wall				
D	FC	L	W	CB
3'	70.2	3.3	2.6	5.2
4'	39.5	4.5	3.6	6.9
5'	25.3	5.7	4.4	8.7
6'	17.5	6.8	5.4	10.4

60 deg Aiming Angle Vertical Footcandles on Wall				
D	FC	L	W	CB
3'	210.6	2.1	2	1.7
4'	118.4	2.9	2.6	2.3
5'	75.8	3.7	3.4	2.9
6'	52.6	4.4	4	3.5

Notes and Definitions

Beam spread is to 50% center beam candlepower (CBCP).

D= Distance in feet to floor or wall.

FC= Footcandles on floor or wall at center beam aiming location.

L= Effective Visual Beam length in feet (50% of maximum footcandle level)

W= Effective Visual Beam width in feet (50% of maximum footcandle level)

CB= Distance in feet across or down to center beam location

