

Project		Catalog #		Type	
Prepared by		Notes		Date	



HALO

QuickLink | HLB6 0-10V

Halo QuickLink Low Voltage Lighting Kit
Canless Installation

Typical Applications

- Residential • Light Commercial

Product Certification



Refer to ENERGY STAR® Certified Products List.
Can be used to comply with California Title 24 High Efficacy requirements.
Certified to California Appliance Efficiency Database under JA8.

Product Features



Interactive Menu

- Order Information page 2
- Product Specifications page 2
- Photometric Data page 4
- Product Warranty

Top Product Features

- Single driver powers multiple LED fixtures connected by low voltage cable
- Selectable CCT: 2700K, 3000K, 3500K, 4000K, 5000K
- Direct mount – does not require recessed housing or junction box
- 120-277V input, dimmable down to 5% with select 0-10V dimmers
- Perfect for new construction or remodel work
- Power supply is Non-IC, LED units are IC rated

QuickLink

Low Voltage Kit



1 POWER SUPPLY & **6** FIXTURES
40ft.

SAVE UP TO **85%**
WIRING TIME

Order Information

SAMPLE ORDER NUMBER: (1) HLBQL6099FSE010-6PK, (1) HLBQL6099FSE010

Purchase kit and additional fixtures separately.

Low Voltage Lighting Kit

Kit includes (1) 90W low voltage remote driver, 40ft of low voltage CMP cable, (6) HLBQL6 fixtures

Model	Lumens	CRI/CCT	Driver	Kit Size
HLBQL6 = 6-inch HLB QuickLink Low Voltage Lighting	09 = 900 lumens (nominal)	9FS = 90 CRI min, 5-color selectable CCT	E010 = 120-277V, 0-10V 5% dimming	-6PK = 6 pack kit including driver
Notes	Notes	Notes	Notes	Notes

Additional Fixtures⁽¹⁾

Driver **NOT** included. Connect additional fixtures to Low Voltage Lighting Kit.

Model	Lumens	CRI/CCT	Driver
HLBQL6 = 6-inch HLB QuickLink Low Voltage Lighting	09 = 900 lumens (nominal)	9FS = 90 CRI min, 5-color selectable CCT	E010 = 120-277V, 0-10V 5% dimming
Notes	Notes	Notes	Notes

(1) Maximum 7 fixtures per driver.

Accessories

Accessories	
Mounting Frames HL6RSMF = 6" mounting frame (for round or square canless direct mount lights) ⁽²⁾	Designer Trims HLB6RTRMMW = 6" round decorative overlay, matte white HLB6RTRMSN = 6" round decorative overlay, satin nickel HLB6RTRMTBZ = 6" round decorative overlay, tuscan bronze
Oversized Trim Ring HLB6ROTMW = 6" round oversized trim, matte white	
Notes	
(2) Due to its size, the QuickLink Remote Driver must mount to the building structure, not a mounting frame.	

Fixture Count		
Model	Watts per Downlight	Max Downlights
HLB6 0-10V	12.4 W	7

Product Specifications

Modules

- Die-cast aluminum mounting frame with integral flange provides passive thermal cooling
- Achieves L70 at 50,000 hours in IC and non-IC applications
- High impact diffuse lens provides shielding to the light guide minimizing pixilation

Gaskets

- Closed cell gasket achieves restrictive airflow requirements without additional caulking

LED Array

- Plurality of mid power LED's provides a uniform source with high efficiency and long life
- 90 color rendering index (CRI) minimum; R9 greater than 50 provides high color rendering
- Field selectable color temperature, select select 2700K, 3000K, 3500K, 4000K, 5000K CCT; color accuracy within 4 SDCM
- Meets ENERGY STAR® color angular uniformity requirements

Optical Assembly

- Precision acrylic light guide organizes source flux into wide distribution with 1.4 spacing criteria, useful for general area illumination

Junction Box

- Pre-galvanized steel driver/junction box with captive hinged junction box cover
- Hinged junction box for easier installation into ceiling plenum
- Three 1/2" conduit pry-outs
- Two Slide-N-Side™ non-metallic (NM) wire traps allows wiring outside the box
- Accepts NM cable types: 14-2, 14-3, 12-2, 12-3 (U.S.) and 14-2, 14-3, 12-2 (Canadian)
- Three 4-port push wire nuts with clear caps for quick and reliable mains voltage connections
- Integral mounting holes facilitate direct mounting to building structure

Driver

- 90W 120-277V, providing noise free operation
- Continuous flicker-free dimming down to 5% with select 0-10V dimmers
- Inline electrical quick connect provides low voltage connection to fixture fitting

Installation

- Can be installed in 1/2" to 1-1/4" thick ceilings
- Heat treated springs hold fixture fitting securely in the ceiling
- Halo QuickLink Quick Connectors allow for quick installation of additional fixtures

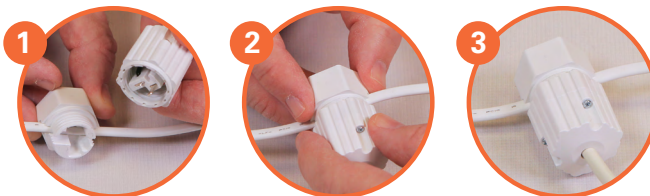
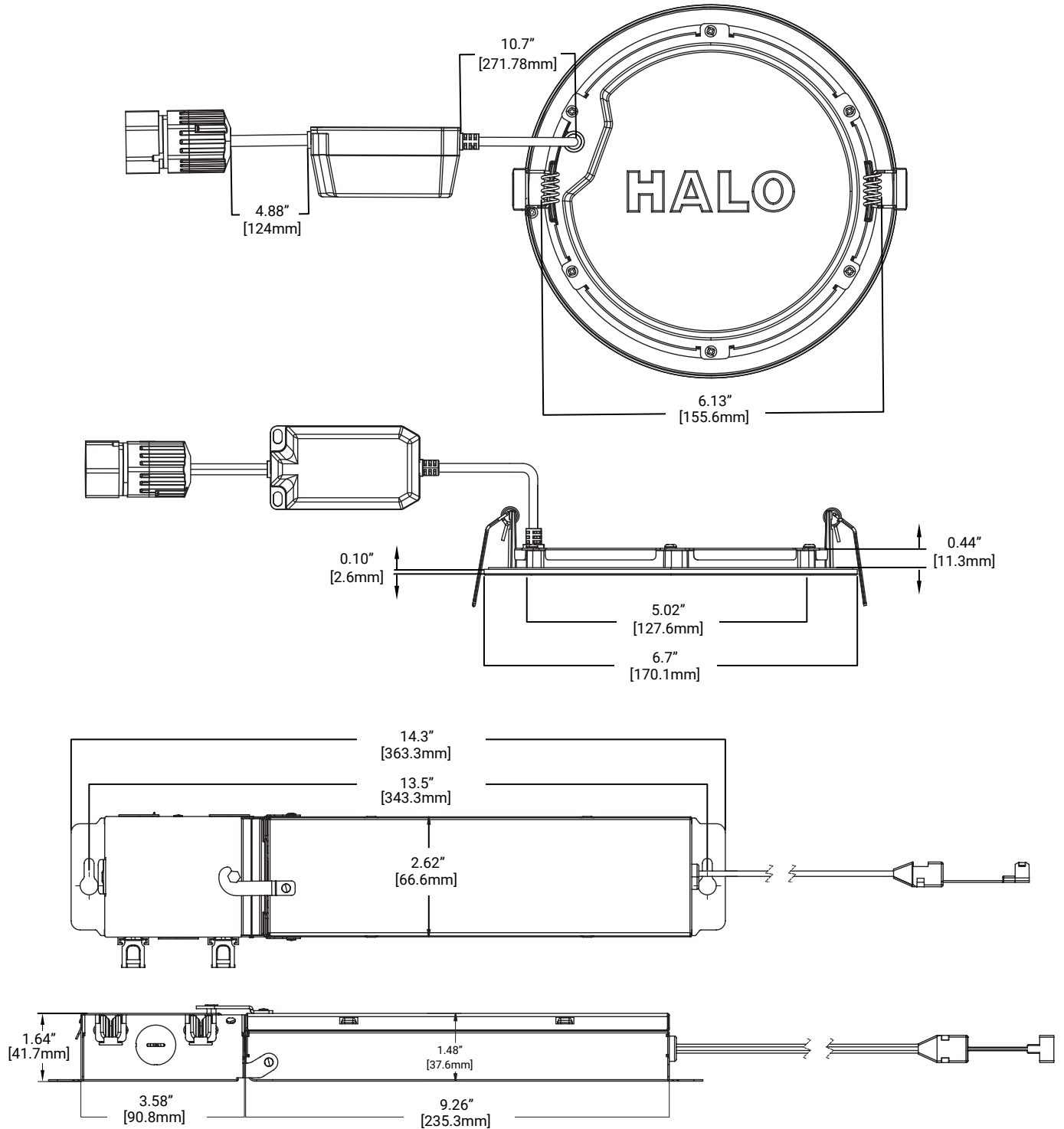
Compliance

- UL Certified for US and Canada
- NOTE:** Not for use in direct contact with spray foam insulation, reference NEMA LSD57-2013
- Wet location listed and IP44 ingress protection
- Air-tite per ASTM-E283-04
- Suitable for use in clothes closets when installed in accordance with the NEC 410.16 spacing requirements
- EMI/RFI emissions per FCC 47CFR Part 15 consumer limits
- Contains no mercury or lead and RoHS compliant
- Photometric testing in accordance with IES LM-79-08
- Lumen maintenance projections in accordance with IES LM-80-08 and TM-21-11
- Compliant with California Title 24 High Efficiency LED under JA8, reference Modernized Appliance Efficiency Database System (MAEDBS) for 2019 JA8 High Efficacy Lighting
- ENERGY STAR® certified (reference "Certified Light Fixtures" database)

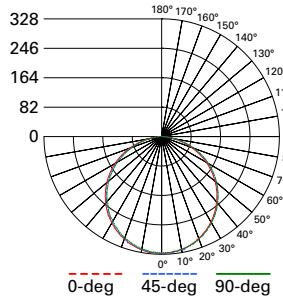
Warranty

- Five year limited warranty, consult website for details. www.cooperlighting.com/legal

Dimensional and Mounting Details



Photometric Data



HLBLV6099FSE010MW-3000K-UNIT

Spacing criterion: (0-180) 1.28
(90-270) 1.28
(Diagonal) 1.40

Beam Angle: 112.8°

Field Angle: 161.6°

Lumens: 935

Input Watts: 12.4 W

Efficacy: 75.4 LPW

Test Report:

HLBLV6099FSE010MW-3000K-UNIT.ies

Zonal Lumen	Lumens	% Lumens
0-30	252	27
0-40	414	44
0-60	736	79
0-90	935	100

TM-30-15	Rf = 93
	Rg = 100
CRI/CIE	Ra = 94
	R9 = 81

CCT - Range of 2700K- 5000K



112°

Note: Lumen output may decrease based on distance from power supply and quantity of LED heads used.

Energy Data - 4 Pack Kit

Lumens	5610 lm @ 3000K	
Input Voltage	120V	277V
Input Current	0.69 (A)	0.325 (A)
Input Power	83 (W)	83 (W)
Efficiency	66.9 (LPW)	66.9 (LPW)
Inrush (A)	17 A @ 750 μS	15 A @ 1100 μS
THD	≤ 20%	≤ 20%
PF:	≥ 0.9	≥ 0.9
T Ambient	-30 - +40°C	-30 - +40°C
Sound Rating	≤ 22 dba	≤ 22 dba

Product Specifications

HLBQL6099FSE010

PRODUCT SPECIFICATIONS	
Lumens	935
Watts	12.4
Lumens Per Watt (Efficacy)	75.4
Color Accuracy (CRI)	94
Light Color (CCT) Correlated Color Temperature (CCT)	3000K
2700K	3000K
4500K	6500K

HLBQL6099FSE010 - Individual Fixture					
	CCT	Watts	Lumens	LPW	CRI
Individual Downlight 900LM	2700K	12.4	905	73.0	92
	3000K	12.4	935	75.4	94
	3500K	12.4	960	77.4	94
	4000K	12.4	985	79.4	94
	5000K	12.4	1000	80.6	94

HLBQL6099FSE010-6PK - System					
	CCT	Watts	Lumens	LPW	CRI
6PK-System 5400LM	2700K	84.6	5430	64.2	92
	3000K	83.8	5610	66.9	94
	3500K	83.7	5760	68.8	94
	4000K	82.8	5910	71.4	94
	5000K	82.1	6000	73.1	94