

## DEMARK, 42" LINEAR CHANDELIER



### PRODUCT DETAILS

|                         |   |             |
|-------------------------|---|-------------|
| No.                     | : | 37039-011   |
| Product Color           | : | MATTE BLACK |
| Product Material        | : | METAL       |
| Shade / Accent Material | : | ACRYLIC     |
| Length                  | : | 42.25"      |
| Width                   | : | 6.5"        |
| Height                  | : | 7"          |
| Overall Height          | : | 104.75"     |
| Weight                  | : | 6.6lbs      |


### LIGHT SOURCE DETAILS

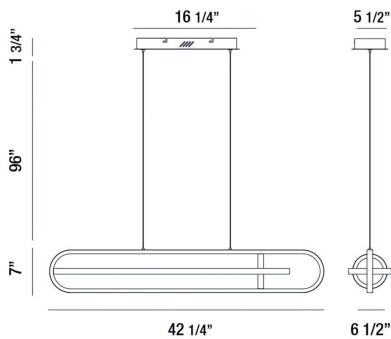
|                   |   |                |
|-------------------|---|----------------|
| Light Source Type | : | INTEGRATED LED |
| Input Voltage     | : | 120V           |
| Bulb Voltage      | : | 120V           |
| Socket Type       | : | LED            |
| Total Wattage     | : | 58W            |
| Delivered Lumens  | : | 2900lm         |
| Kelvin            | : | 3000K          |
| CRI               | : | 90+            |
| Dimmable          | : | Yes            |

### OPTIONS AVAILABLE

| ITEM NO.  | FINISH      | SHADE |
|-----------|-------------|-------|
| 37039-011 | MATTE BLACK |       |
| 37039-028 | SATIN GOLD  |       |

### TECHNICAL DETAILS

|                           |   |   |
|---------------------------|---|---|
| Hanging Support Type      | : | WIRE  |
| Hanging Support Length    | : | 96"   |
| Canopy / Backplate Length | : | 16.25"  |
| Canopy / Backplate Height | : | 1.75"   |
| Canopy / Backplate Width  | : | 5.5"  |
| Location                  | : | DRY   |
| Approval                  | : |  |
| Title 24                  | : | Yes   |



### PROJECT INFORMATION

 Job Name:     Date:     Type: 

 Comments: