

## SPUNTO, 61" ROUND CHANDELIER



### PRODUCT DETAILS

|                         |   |            |
|-------------------------|---|------------|
| No.                     | : | 31474-016  |
| Product Color           | : | SILVER     |
| Product Material        | : | METAL      |
| Shade / Accent Colour   | : | OPAL WHITE |
| Shade / Accent Material | : | ACRYLIC    |
| Diameter                | : | 60.75"     |
| Height                  | : | 1.5"       |
| Overall Height          | : | 171.25"    |
| Weight                  | : | 41.3lbs    |


### LIGHT SOURCE DETAILS

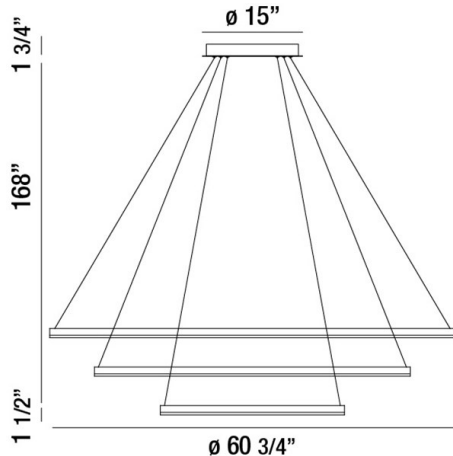
|                   |   |                |
|-------------------|---|----------------|
| Light Source Type | : | INTEGRATED LED |
| Input Voltage     | : | 120V           |
| Bulb Voltage      | : | 120V           |
| Socket Type       | : | LED            |
| Total Wattage     | : | 216W           |
| Delivered Lumens  | : | 8600lm         |
| Kelvin            | : | 3000K          |
| CRI               | : | 80+            |
| Dimmable          | : | Yes            |

### OPTIONS AVAILABLE

| ITEM NO.  | FINISH      | SHADE      |
|-----------|-------------|------------|
| 31474-016 | SILVER      | OPAL WHITE |
| 31474-023 | MATTE BLACK | OPAL WHITE |

### TECHNICAL DETAILS

|                           |   |   |
|---------------------------|---|---|
| Light Direction           | : | Down  |
| Hanging Support Type      | : | AIRCRAFT CABLE  |
| Hanging Support Length    | : | 168"  |
| Canopy / Backplate Height | : | 1.75"   |
| Canopy / Backplate Dia.   | : | 15"   |
| Adjustable Lamp Head      | : | No  |
| Location                  | : | DRY   |
| Approval                  | : |  |



### PROJECT INFORMATION

 Job Name:  Date:  Type: 

 Comments: