

### Key Features & Benefits:

- Kelvin and Wattage Selectable
- Built In Photocell
- Occupancy and Emergency Options
- Stand-alone 10kV Surge Protection
- Available in White and Bronze Finishes

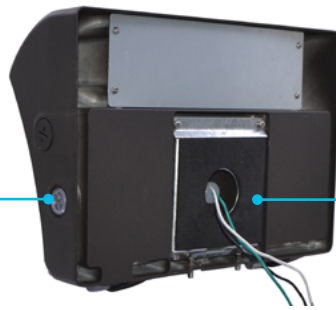
Project: \_\_\_\_\_ Date: \_\_\_\_\_

Catalog #: \_\_\_\_\_

Notes: \_\_\_\_\_

### Product Specifications:

Selectable Wattage: 70W–85W–100W  
 Lumen Output: Up to 13,611 Lumens  
 Efficacy (lm/W): Up to 138 Lumens per Watt  
 Selectable Kelvin: 3000K, 4000K, 5000K  
 CRI: >80  
 Power Frequency: 50/60Hz  
 Power Factor: >0.9  
 Operating Temperature: -40°F to 122°F (-40°C to 50°C)  
 Input Voltage: 120–277VAC  
 Estimated L70 Lifetime 145,000 hrs Calculated Per TM21  
 Warranty: 5 Year Warranty  
 Product Weight: 6.02 lbs



Easy Access to Photocell with On/Off Switch and Patent Pending Easy Replacement

Included Quick Mount Plate for easy and contractor friendly installation



### Ordering Guide:

ESL	-	TYPE	-	WATTAGE	-	GENERATION	-	KELVIN	-	VOLTAGE	-	FINISH	-	OPTIONS
ESL	-	WP	-	70100W	-	6	-	3050	-		-	ff	-	
		(WP) Wall Pack		(4070W) 40W–55W–70W (70100) 70W–85W–100W		(6) 6th Generation		(3050) 3000K–4000K–5000K		(blank) 120–277 VAC		(BZ) Bronze (WH) White		

### FACTORY INSTALLED OPTIONS

EM5	Emergency backup battery unit, auto test function, 5 watts output, 90 minutes min, 120–277VAC Input, 30–200VDC output, closed lead wiring, UL listed for factory installation
11OCC	Microwave Occupancy Sensor

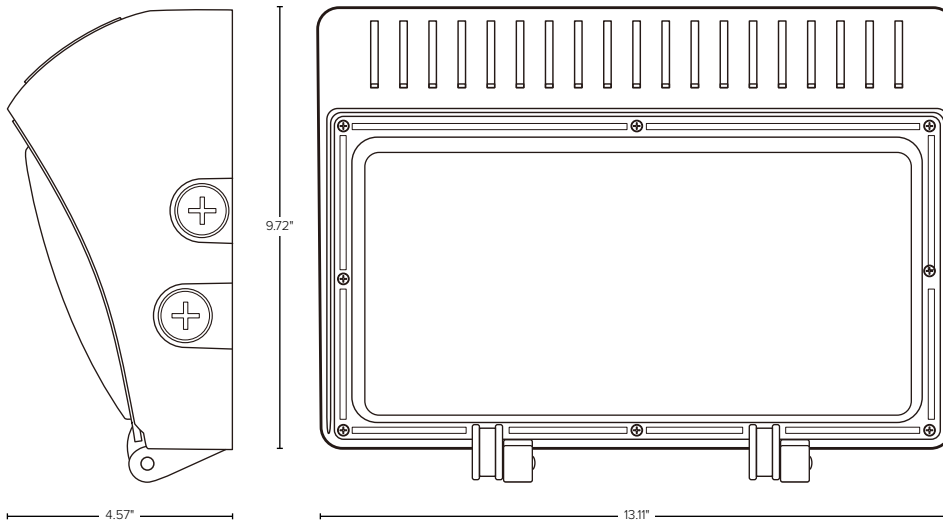
### Catalog Data:

ITEM#	SELECTABLE WATTAGE	SELECTABLE KELVIN	MAX LUMEN OUTPUT	EFFICACY (lm/W)	DIMENSIONS	DLC QPL CODE
ESL-WP-4070W-63050-BZ	40W–55W–70W	3000K–4000K–5000K	9,491	137	13.11" x 9.72" x 4.57"	S-OVCPS3
ESL-WP-4070W-63050-WH						
ESL-WP-70100W-63050-BZ	70W–85W–100W	3000K–4000K–5000K	13,611	138	13.11" x 9.72" x 4.57"	S-U1T7IP
ESL-WP-70100W-63050-WH						

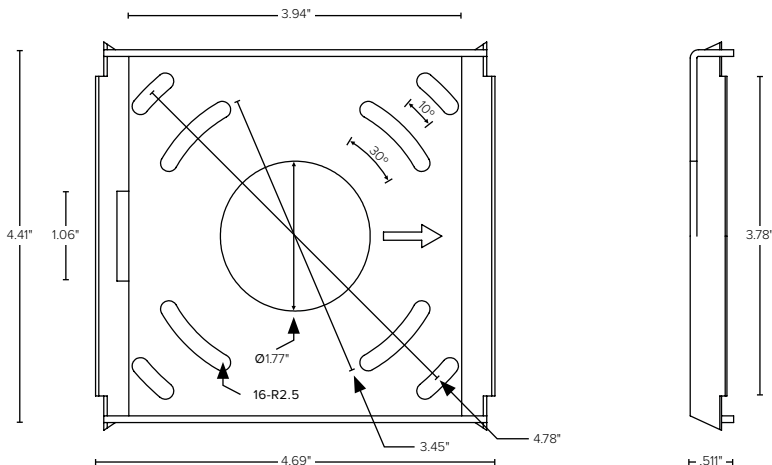
### Electrical Load – Standard Voltage:

SYSTEM WATTS	INPUT CURRENT				INPUT WATTAGE	INPUT FREQUENCY	POWER FACTOR	OPERATING TEMPERATURE	SURGE PROTECTION	DIMMING
	120 VAC	208 VAC	240 VAC	277 VAC						
40	0.33	0.19	0.17	0.14	120–277 VAC	50/60 Hz	>0.9	-40°F to 122°F (-40°C to 50°C)	6kV Driver 10kV Stand-Alone	0–10V Range 0–100%
55	0.46	0.26	0.23	0.20	120–277 VAC	50/60 Hz	>0.9	-40°F to 122°F (-40°C to 50°C)	6kV Driver 10kV Stand-Alone	0–10V Range 0–100%
70	0.58	0.34	0.29	0.25	120–277 VAC	50/60 Hz	>0.9	-40°F to 122°F (-40°C to 50°C)	6kV Driver 10kV Stand-Alone	0–10V Range 0–100%
85	0.71	0.41	0.35	0.31	120–277 VAC	50/60 Hz	>0.9	-40°F to 122°F (-40°C to 50°C)	6kV Driver 10kV Stand-Alone	0–10V Range 0–100%
100	0.83	0.48	0.42	0.36	120–277 VAC	50/60 Hz	>0.9	-40°F to 122°F (-40°C to 50°C)	6kV Driver 10kV Stand-Alone	0–10V Range 0–100%

### Dimensions:



### Mounting Plate



### Photometric Lighting Diagram

