

**Key Features & Benefits:**

- Selectable CCT and Wattage
- Strong Spring Clips Secure Fixture to Drywall, Ceiling Tiles, or Mounting Plate
- Multiple Color Trim Ring Accessories
- Wet Location Rated
- Energy Star Listed
- Cast Aluminum Housing and Trim

Project: \_\_\_\_\_

Date: \_\_\_\_\_

Catalog #: \_\_\_\_\_

Notes: \_\_\_\_\_

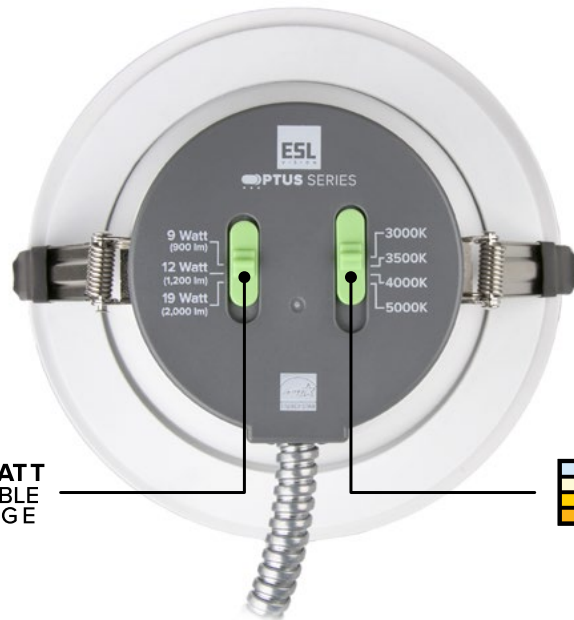


**Product Specifications:**

Selectable Wattage: 9W–12W–19W  
 Selectable Kelvin:  
 3000K–3500K–4000K–5000K  
 Lumens: 900–1,200–2,000 Lumens  
 Efficacy: Up to 105 lm/W  
 CRI: 90+  
 Input Voltage: 110–277 VAC  
 Power Factor: >0.98  
 Input Frequency: 50/60Hz  
 Operating Temperature: -4°F to 104°F  
 Operational Lifetime: 50,000 Hrs  
 Dimming: 1–10V  
 Product Weight (lbs) 1.06

**Dimensions:**

Fixture (ØxH): Ø7.38"x 4.0"  
 Flexible Metal Conduit (MC) Length: 24"  
 Wire Leads Length: 8.25"



**MULTIWATT  
SELECTABLE  
WATTAGE**

**4CCT  
SELECTABLE  
KELVIN**



### Ordering Guide:

ESL	TYPE	SIZE	SELECTABLE WATTAGE	GENERATION	SELECTABLE KELVIN	OPTIONS
ESL	OPT <small>(OPT) Optus Series</small>	6 <small>(6) Round 6"</small>	0919W <small>(0919W) 9W-12W-19W</small>	2 <small>(2) 2nd Generation</small>	3050K <small>(3050K) 3000K-3500K-4000K-5000K</small>	

### FACTORY INSTALLED OPTIONS

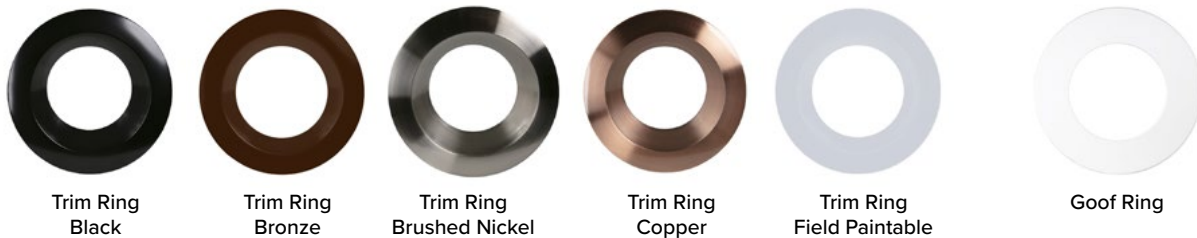
EM8	Emergency backup battery unit, auto test function, 8-watt output, 90-minute minimum, 100-347 VAC input, 170 VDC output, closed frame with flex conduits, UL listed for factory or field install, Li-ion battery. (SL6)
-----	--

### FIELD INSTALLED ACCESSORIES

ESL-EMG-SL6-CSC-8W	Emergency backup battery unit, auto test function, 8-watt output, 90-minute minimum, 100-347 VAC input, 170 VDC output, closed frame with flex conduits, UL listed for factory or field install, Li-ion battery.
ESL-OPT2-4-Tff	4" OPTUS Field Installable Trim Kit
ESL-OPT2-6-Tff	6" OPTUS Field Installable Trim Kit
ESL-OPT2-8-Tff	8" OPTUS Field Installable Trim Kit
ESL-OPT2-10-Tff	10" OPTUS Field Installable Trim Kit
ESL-OPT2-4-RING	4" to 6" Goof Ring
ESL-OPT2-6-RING	6" to 8" Goof Ring
ESL-OPT2-8-RING	8" to 10" Goof Ring
ESL-OPT2-10-RING	10" to 12" Goof Ring
ESL-RDL-4-RKIT-001	4" New Construction Downlight Rough-In plate
ESL-RDL-6-RKIT-001	6" New Construction Downlight Rough-In plate
ESL-RDL-8-RKIT-001	8" New Construction Downlight Rough-In plate

Finishes: (ff)=(MW) Field Paintable, (BK) Black, (BN) Brushed Nickel, (BZ) Bronze, (CP) Copper

### AVAILABLE ACCESSORIES SOLD SEPARATELY

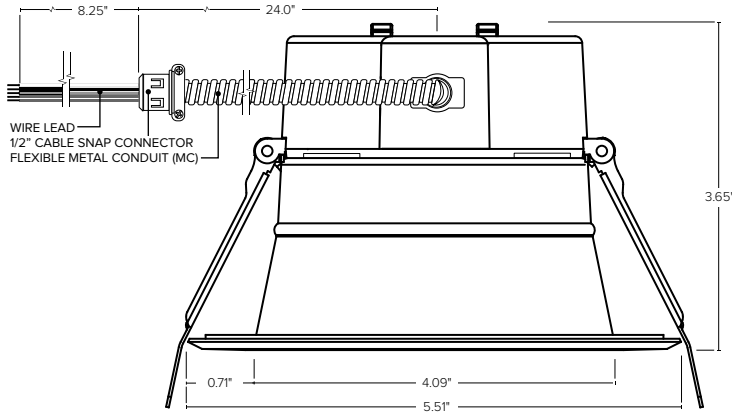


### Catalog Data:

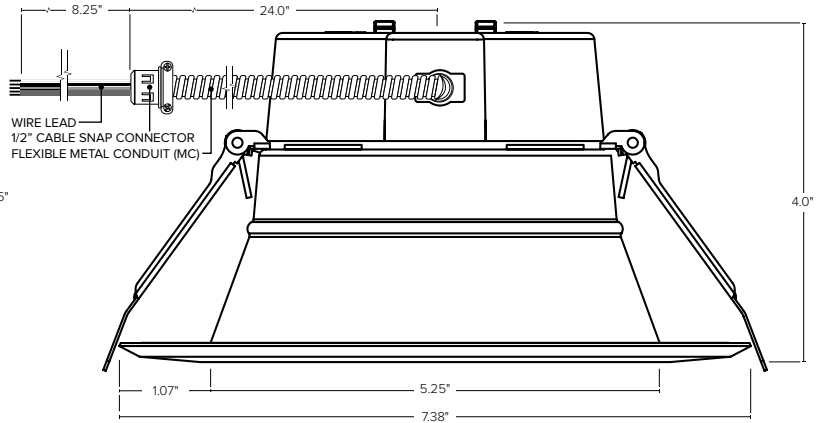
ITEM#	SELECTABLE WATTAGE	SELECTABLE KELVIN	MAX LUMEN OUTPUT	MAX EFFICACY (lm/W)	INPUT VOLTAGE	DIMENSIONS
4" ESL-OPT-4-0712W-23050K	7W-9W-12W	3000K-3500K-4000K-5000K	600-800-1,000	89	120-277 VAC	Ø5.51" x 3.65"
6" ESL-OPT-6-0919W-23050K	9W-12W-19W	3000K-3500K-4000K-5000K	900-1,200-2,000	105	120-277 VAC	Ø7.38" x 4.0"
8" ESL-OPT-8-1129W-23050K	11W-19W-29W	3000K-3500K-4000K-5000K	1,200-2,000-3,000	105	120-277 VAC	Ø9.44" x 4.38"
10" ESL-OPT-10-1836W-23050K	18W-27W-36W	3000K-3500K-4000K-5000K	2,000-3,000-4,000	111	120-277 VAC	Ø11.25" x 4.38"

**Dimensions:**

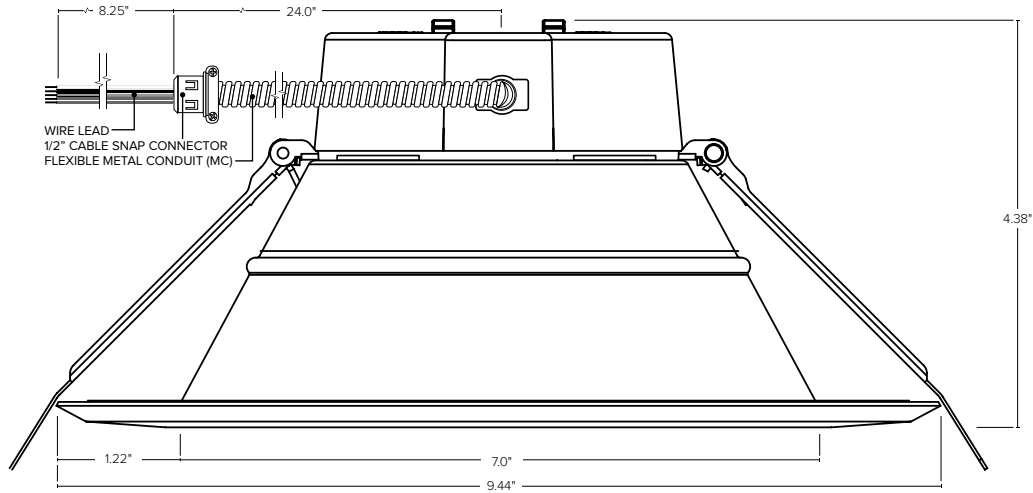
**4" Fixture**



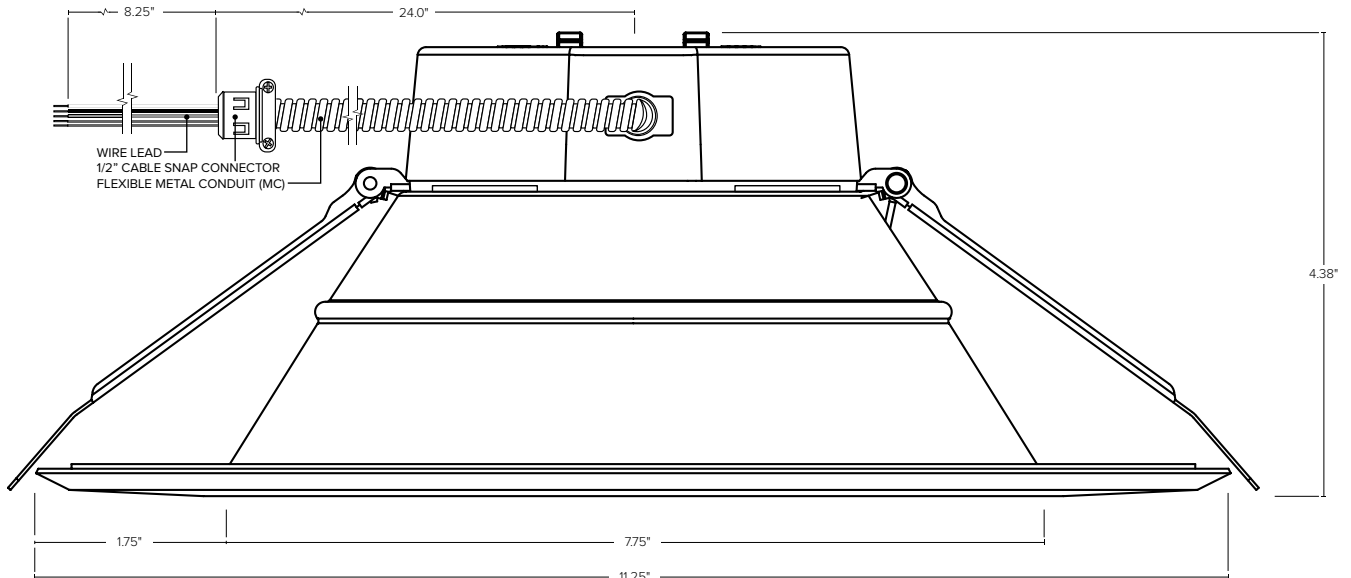
**6" Fixture**



**8" Fixture**



**10" Fixture**



**Rough-In Plate Dimensions:**

