

Key Features & Benefits:

- Field Selectable Wattage and Kelvin
30 Watt — 40 Watt — 60 Watt
3000K — 4000K — 5000K
- Mounting Plate for Easy
Surface Mount Installation
- Multiple Installation Options
—Surface, Pendant/J-Box, Conduit
- Available in Grey or Bronze

Product Specifications:

Adjustable Wattage: 30, 40, or 60 Watts
 Lumen Output: Up to 7,296 Lumens
 Efficacy (lm/W): Up to 125 Lumens
 Kelvin Adjustable: 3000K, 4000K, or 5000K
 Input Voltage: 120–277 VAC
 Total Harmonic Distortion (THD): <20%
 Operating Temperature: -40°F to 140°F (-40°C to 60°C)
 Estimate L70 Lifetime 125,000 hrs Calculated Per TM21
 Estimate L90 Lifetime 36,000 hrs Calculated Per TM21
 Dimming: 0–10V Dimmable with 12V AUX
 Power Factor: >0.95
 Surge Protection: 6kV
 CRI: >80

Project: _____ Date: _____
 Catalog #: _____
 Notes: _____



Available in Bronze or Grey

Optics

- Precision Engineered Optical Lens
- Impact Resistant Polycarbonate Lens
- UV Stabilized

Optional Sensors Available

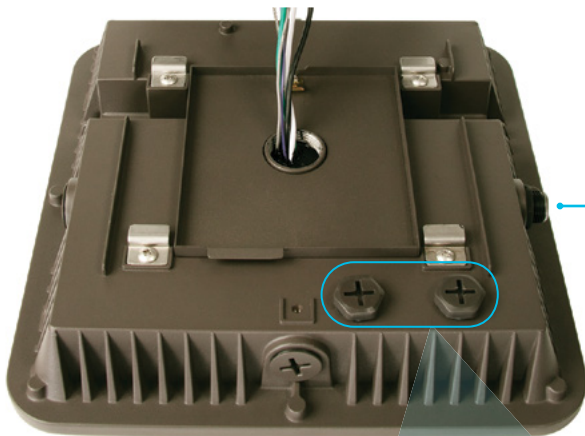
- Photocell Sensor
- Occupancy and Daylight Harvesting Sensor with optional Remote Programming

Construction

- Low Profile, Light Weight Design
- Rugged, Die-Cast Housing
- High-Temperature Silicone Gaskets for Wet Locations

Field Adjustable Wattage and Kelvin

- 30 Watt — 40 Watt — 60 Watt
- 3000K — 4000K — 5000K



Ordering Guide:

ESL	TYPE	WATTS	GENERATION	KELVIN	FINISH	OPTIONS
ESL	CP (CP) Canopy	3060 (3060) 30 Watt, 40 Watt, 60 Watt	4 (4) 4th Generation	3050 (3050) 3000K, 4000K, 5000K	(ff) (BZ) Bronze (GR) Grey	

FACTORY INSTALLED OPTIONS

EM8	Emergency backup battery unit, Auto Test Function, 8 Watts Output, 90 Minutes Min, 120–277VAC Input, 25–48VDC output in sidecar housing
DHOC	Stand Alone Daylight Harvesting and Occupancy Sensor — Qualifies fixture for LLLC. Uses REM-100 for programming.
PC	Button Photocell

FIELD INSTALLED ACCESSORIES

ESL-REM-100	Hand Held Remote to Program 1DHOC
ESL-ACCS-PC-001	Button photocell

Catalog Data:

ITEM#	SELECTABLE WATTAGE	SELECTABLE KELVIN	LUMENS	EFFICACY (lm/W)	DLC QPL CODE
ESL-CP-3060W-43050-BZ	30W 40W 60W	3000k 4000K 5000K	7,296	125	PLYIQVHIPFI5
ESL-CP-3060W-43050-GR	30W 40W 60W	3000k 4000K 5000K	7,296	125	PLYIQVHIPFI5

Options & Accessories:



ESL-WP-PC

Power: 2 Watts
 Working Voltage: 120–277 VAC
 Operating Level: 10~20Lx On, 30~80Lx Off
 Operating Temperature: -40°F ~ 158°F

Comes Factory Installed



ESL-1DHOC-LV

Power Supply: 12VDC
 Mounting Height: 40ft Max
 Remote Range: >50ft, indoor, no backlight
 Operating Temperature: -40°F ~ 158°F

For more information please see the ESL-1DHOC-LV cut sheet.
 Programmable via ESL-REM-100 (Sold Separately)



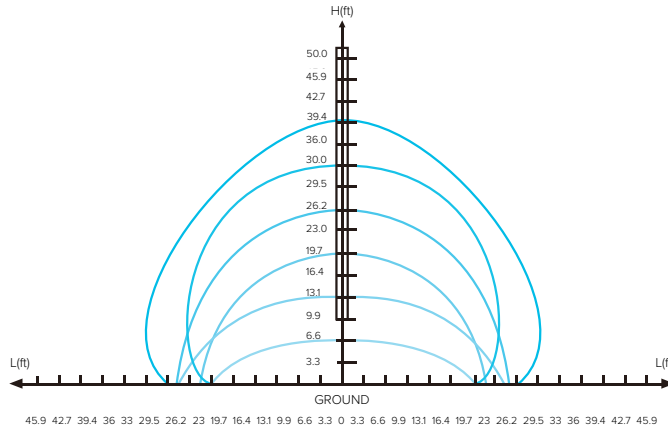
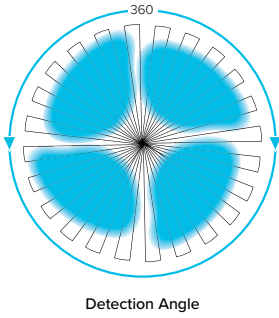
EMERGENCY HOUSING



ESL-REM-100

1DHOC Coverage:

Ceiling Installation



Detection Range: 19.7' (installation height 6.6')

Detection Range: 19.7'–23' (installation height 19.7')

Detection Range: 19.7'–23' (installation height 33')

Detection Range: 23'–26.2' (installation height 13.1')

Detection Range: 19.7'–26.2' (installation height 26.2')

Detection Range: 19.7' (installation height 6.6')

Lumen Ambient Temperature (LAT) Multipliers:

AMBIENT		LUMEN MULTIPLIER
0 °C	32 °F	1.02
10 °C	50 °F	1.01
20 °C	68 °F	1.00
25 °C	77 °F	1.00
30 °C	86 °F	1.00
40 °C	104 °F	0.99
50 °C	122 °F	0.96

Electrical Load — Standard Voltage:

SYSTEM WATTS	INPUT CURRENT			
	120 VAC	208 VAC	240 VAC	277 VAC
30	0.25	0.14	0.13	0.11
40	0.33	0.19	0.17	0.14
60	0.50	0.29	0.25	0.22

BUG Ratings:

SYSTEM WATTS	LUMENS	3000K				4000K				5000K					
		B	U	G	LPW	LUMENS	B	U	G	LPW	LUMENS	B	U	G	LPW
30	4,140	2	2	1	138	4,302	2	2	1	143	4,203	2	2	1	140
40	5,387	2	2	1	135	5,655	2	2	1	141	5,530	2	2	1	138
60	7,783	3	3	2	130	8,266	3	3	1	138	8,075	3	3	2	135

Zonal Lumen Summary — 30W

Mounting Height — 8 Feet

30 WATTS — 3000K			30 WATTS — 4000K			30 WATTS — 5000K		
ZONE	LUMENS	%FIXT	ZONE	LUMENS	%FIXT	ZONE	LUMENS	%FIXT
0-30	700.6	16.90%	0-30	725.8	16.90%	0-30	706.4	16.90%
0-40	1,237.40	29.90%	0-40	1,284.30	29.90%	0-40	1,253.00	29.90%
0-60	2,650.70	64%	0-60	2,751.40	64%	0-60	2,684.80	64%
60-90	1,451.40	35.10%	60-90	1,510.10	35.10%	60-90	1,478.50	35.10%
70-100	656.7	15.90%	70-100	683.7	15.90%	70-100	669.2	15.90%
90-120	28.2	0.70%	90-120	30.1	0.70%	90-120	29.3	0.70%
0-90	4,102.10	99.10%	0-90	4,261.50	99.10%	0-90	4,163.30	99.10%
90-180	37.5	0.90%	90-180	40.5	0.90%	90-180	39.3	0.90%
0-180	4,139.60	100%	0-180	4,302.00	100%	0-180	4,202.60	100%

Zonal Lumen Summary — 40W

Mounting Height — 12 Feet

40 WATTS — 3000K			40 WATTS — 4000K			40 WATTS — 5000K		
ZONE	LUMENS	%FIXT	ZONE	LUMENS	%FIXT	ZONE	LUMENS	%FIXT
0-30	909.9	16.90%	0-30	953	16.90%	0-30	928.2	16.90%
0-40	1,607.20	29.80%	0-40	1,686.30	29.80%	0-40	1,646.70	29.80%
0-60	3,444.30	63.90%	0-60	3,613.70	63.90%	0-60	3,528.70	63.8%
60-90	1,886.90	35%	60-90	1,983.60	35.10%	60-90	1,942.80	35.10%
70-100	854.1	15.90%	70-100	897.8	15.90%	70-100	880	15.90%
90-120	39.7	0.70%	90-120	41.6	0.70%	90-120	41.9	0.80%
0-90	5,331.20	99%	0-90	5,597.30	99%	0-90	5,471.50	98.90%
90-180	55.5	1%	90-180	57.3	1%	90-180	58.6	1.10%
0-180	5,386.70	100%	0-180	5,654.60	100%	0-180	5,530.10	100%

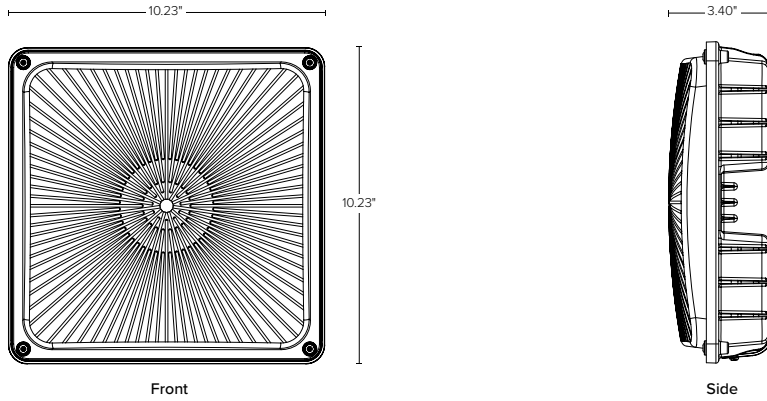
Zonal Lumen Summary — 60W

Mounting Height — 20 Feet

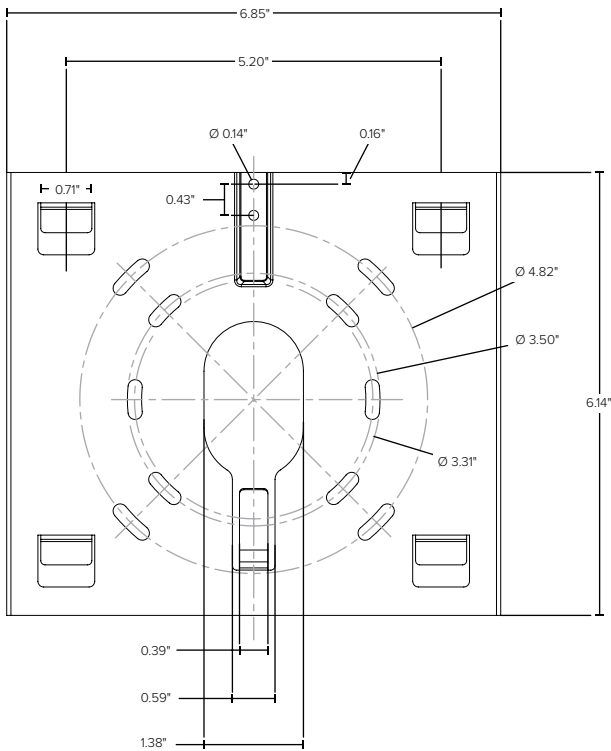
60 WATTS — 3000K			60 WATTS — 4000K			60 WATTS — 5000K		
ZONE	LUMENS	%FIXT	ZONE	LUMENS	%FIXT	ZONE	LUMENS	%FIXT
0-30	1,313.70	16.90%	0-30	1,390.30	16.80%	0-30	1,390.30	16.80%
0-40	2,320.50	29.80%	0-40	2,460.70	29.80%	0-40	2,460.70	29.80%
0-60	4,974.20	63.90%	0-60	5,275.50	63.80%	0-60	5,275.50	63.80%
60-90	2,725.00	35%	60-90	2,897.40	35.10%	60-90	2,897.40	35.10%
70-100	1,234.00	15.90%	70-100	1,312.50	15.90%	70-100	1,312.50	15.90%
90-120	59.2	0.80%	90-120	65	0.80%	90-120	65	0.80%
0-90	7,699.30	98.90%	0-90	8,172.90	98.90%	0-90	8,172.90	98.90%
90-180	84.4	1.10%	90-180	92.8	1.10%	90-180	92.8	1.10%
0-180	7,782.70	100%	0-180	8,265.80	100%	0-180	8,265.80	100%



Dimensions:



Mounting Plate Specifications:



Emergency Box Specifications:

