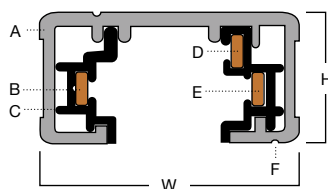
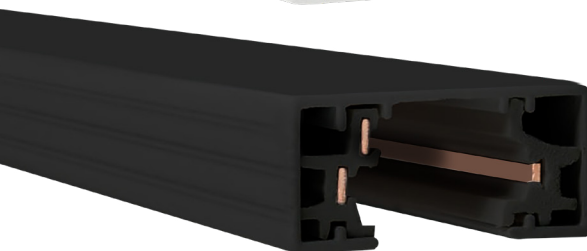
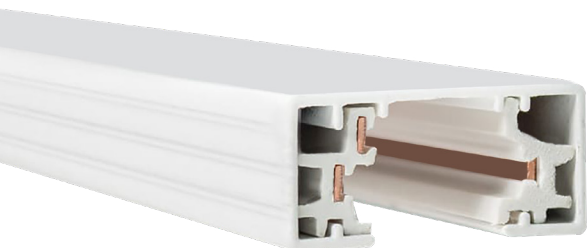
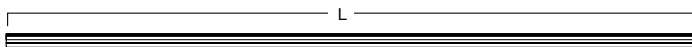


# Linear Track & Accessories

## 3-Wire Single Circuit



	LENGTH	WIDTH	HEIGHT
<b>TS3-2FT-SM</b> 2' Nominal	24"	1 3/8"	11/16"
<b>TS3-4FT-SM</b> 4' Nominal	48"	1 3/8"	11/16"
<b>TS3-8FT-SM</b> 8' Nominal	96"	1 3/8"	11/16"



### Detail Specifications:

- Finish: White, Black
- Dry Location Rated
- 3-Wire
- Single Circuit
- Voltage: 120V

### Applications:

- General Track Lighting
- Residential & Multifamily
- Art Galleries, Museums
- Office and Meeting Rooms
- Education, Healthcare, Retail, Hospitality

### Product Information:

- End cap included with each track
- Extruded aluminum housing
- Solid copper conductor
- Interchangeable beam angles
- Multiple accessories available

### Mounting & Installations:

- Compatible with H-Type single circuit track system
- Surface Mount Use

### Certifications:

- ETL Listed for USA and CA

#### Item

- TS3-2FT-SM-WH**  
White
- TS3-2FT-SM-BL**  
Black
- TS3-4FT-SM-WH**  
White
- TS3-4FT-SM-BL**  
Black
- TS3-8FT-SM-WH**  
White
- TS3-8FT-SM-BL**  
Black

#### Accessories

#### TS3-SM-LIVE-WH

Live End: Required to start a run

#### TS3-SM-LIVE-BL

Live End: Required to start a run

#### TS3-SM-END-WH

End Cap: Required to end a run

#### TS3-SM-END-BL

End Cap: Required to end a run

#### TS3-SM-MJ-WH

Mini Joiner: Low profile joiner for two straight track sections

#### TS3-SM-MJ-BL

Mini Joiner: Low profile joiner for two straight track sections

#### TS3-SM-SC-WH

Straight Connector: Connect two track sections end to end with a center feed option

#### TS3-SM-SC-BL

Straight Connector: Connect two track sections end to end with a center feed option

#### TS3-SM-L-WH

L-Connector: Connect two track sections at a right angle

#### TS3-SM-L-BL

L-Connector: Connect two track sections at a right angle

#### TS3-SM-T-WH

T-Connector: Connect two track sections at a T angle

#### TS3-SM-T-BL

T-Connector: Connect two track sections at a T angle

#### TS3-SM-X-WH

X-Connector: Connect two track sections at a cross angle

#### TS3-SM-X-BL

X-Connector: Connect two track sections at a cross angle

#### TS3-SM-FLX-WH

Flexible Connector: Connect two track sections at any angle up to 90°

#### TS3-SM-FLX-BL

Flexible Connector: Connect two track sections at any angle up to 90°

#### TS3-SM-FC-WH


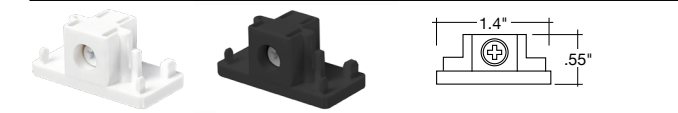


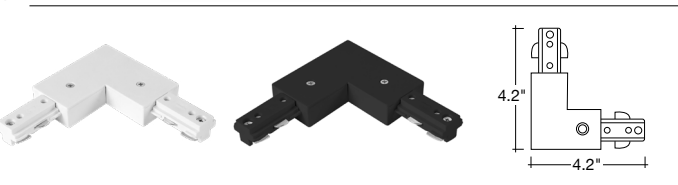
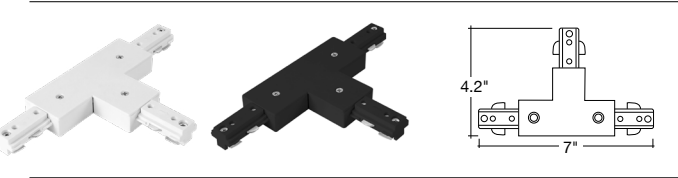

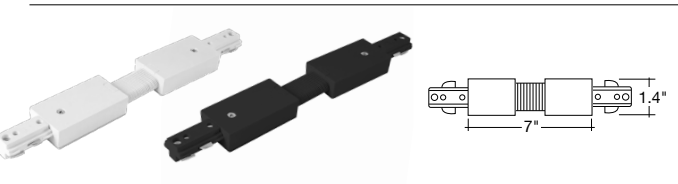
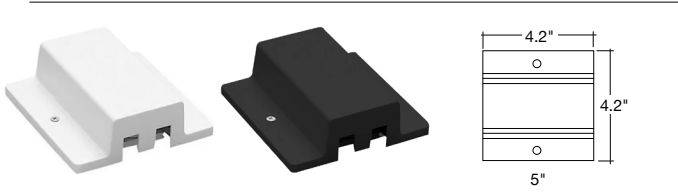
Floating Canopy: Track can be connected to existing outlet box along the track.

#### TS3-SM-FC-BL

Floating Canopy: Track can be connected to existing outlet box

Specs and model numbers are subject to change with or without notice. Customization of product is available.

**TRACK ACCESSORIES**

	<p><b>TS3-SM-LIVE-WH</b>  <b>TS3-SM-LIVE-BL</b></p>	<p>Live End: Required to start a run</p>
	<p><b>TS3-SM-END-WH</b>  <b>TS3-SM-END-BL</b></p>	<p>End Cap: Required to end a run</p>
	<p><b>TS3-SM-MJ-WH</b>  <b>TS3-SM-MJ-BL</b></p>	<p>Mini Joiner: Low profile joiner for two straight track sections</p>
	<p><b>TS3-SM-SC-WH</b>  <b>TS3-SM-SC-BL</b></p>	<p>Straight Connector: Connect two track sections end to end with a center</p>
	<p><b>TS3-SM-L-WH</b>  <b>TS3-SM-L-BL</b></p>	<p>L-Connector: Connect two track sections at a right angle</p>
	<p><b>TS3-SM-T-WH</b>  <b>TS3-SM-T-BL</b></p>	<p>T-Connector: Connect two track sections at a T angle</p>
	<p><b>TS3-SM-X-WH</b>  <b>TS3-SM-X-BL</b></p>	<p>X-Connector: Connect two track sections at an cross angle</p>
	<p><b>TS3-SM-FLX-WH</b>  <b>TS3-SM-FLX-BL</b></p>	<p>Flexible Connector: Connect two track sections at any angle up to 90°</p>
	<p><b>TS3-SM-FC-WH</b>  <b>TS3-SM-FC-BL</b></p>	<p>Floating Canopy: Track can be connected to existing outlet box along the track.</p>