

CIRCLE-Line: Semi-Circle Wall Pack

3-CCT + 3-Power Selectable



WATT	LUMENS
48	6,480
64	8,640
80	10,800

Detail Specifications

- Finish: Bronze, Custom finishes available
- IP Rating: Wet Location
- Impact Rating: IK08
- Beam Angle: Type III (Standard)
- Chip: SMD 2835, R9 >50, CRI >80
- BUG: B3-U2-G2
- Operating Temperature: -40° - 122° F
- Lens: Clear acrylic with optics
- Average life (L70) of 70,000 hours

Applications:

- Walkways & Pathways
- Parking Lots
- Hospitality, Multi-Family
- Outdoor Corridors
- Residential, Commercial and Industrial

Product Information:

- Sturdy die-cast aluminum housing finished with corrosion free powder coat
- Full Cut-Off Dark Sky Compliant
- Photocell is included with an on/off switch
- Instant-On to full brightness
- Select-n-Switch Technology: 3-CCT + 3-Power Selectable

Driver Options:

- UNV: 120-277V 0-10V Dimmable
- Built in 6Kv Surge Protector
- THD: <20% (+/-5% tolerance), PF >0.9, 50/60Hz

Mounting & Installation:

- Mounts on to standard recessed junction box

Certifications:

- UL Listed for USA and CA
- DLC Listed
- ROHS Compliant
- Approved for CA T24
- 5 Year Limited Warranty
- FCC CFR 47, GCC Part 15, Subpart B:2017

Series	Finish ¹	Voltage	Photocell -PC	Optic	Sensor ²	Emergency	Surge Protector	Optional Accessories (Order Separately)
LED-WPFC-SC-3P80-TRI 80/64/48w	BZ Bronze (Standard) BL ¹ Black WH ¹ White GRY ¹ Gray CS ¹ Custom Color	(blank) 120-277V	Photocell is included. Easy quick disconnect. (PC-3/4-3PIN-LV)	(blank) Type III T2 Type II T4 Type IV	(blank) No Sensor BMS Bi-Level Motion + Daylight Sensor (S-BMS-EXT-1) BMSBT Bi-Level Motion + Daylight Sensor -Bluetooth Control-(S-BMS-EXT-1-BT)	(blank) No Emergency EMB Emergency Backup	(blank) 6KV Built in 20KV 20KV Surge Protector	Remote for Sensors S-LINE-R S-Line Remote

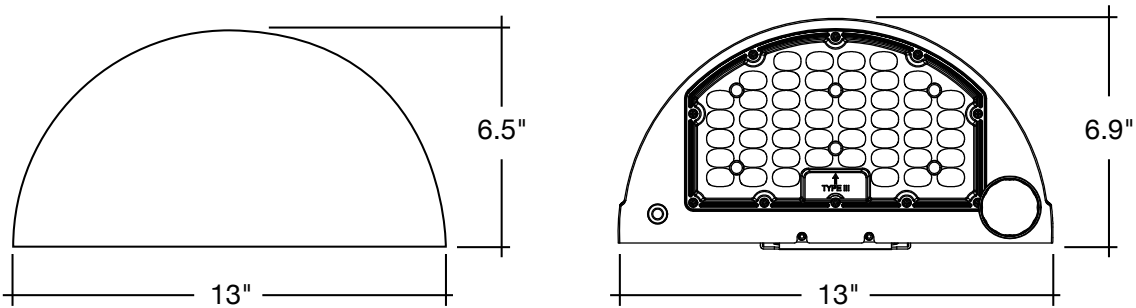
1. Standard quickship is bronze. Other colors are custom finishes
2. Sensors require remote for programming

Specs and model numbers are subject to change with or without notice.

FEATURES



DIMENSIONS



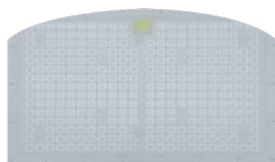
Specs and model numbers are subject to change with or without notice.



S-LINE-R



S-BMS-EXT-1
S-BMS-EXT-1-BT



T2
T4

WALL PACK

Model	Voltage	Watts	Lumens	Color	CRI
LED-WPFC-SC-3P80-TRI-BZ-PC	120-347V	80/64/48w	10,800/8,640/6,480	50/40/30k	>80
LED-WPFC-SC-3P80-TRI-BL-PC	120-347V	80/64/48w	10,800/8,640/6,480	50/40/30k	>80
LED-WPFC-SC-3P80-TRI-WH-PC	120-347V	80/64/48w	10,800/8,640/6,480	50/40/30k	>80

REMOTE CONTROL

Accessory Model	Description
S-LINE-R	Remote for S-LINE Series Sensors

HB-LINE-SENSORS

Model	Item Description	Voltage	Watts
S-BMS-EXT-1	S-Line: Bi Level Motion Sensor w/ Daylight Harvesting, Ideal for use with LED WALLPACKS. 12V Aux REQD. (Remote Required)	12V	<1w
S-BMS-EXT-1-BT	S-Line: Bi Level Motion Sensor w/ Daylight Harvesting, Ideal for use with Wallpacks. 12V Aux REQD. (Remote Required)	12V	<1w

LENS

Accessory Model	Description
T2	Type 2 Optic Lens
T4	Type 4 Optic Lens

Specs and model numbers are subject to change with or without notice.