

**Regular Wall Pack: Full-Line**  
3-CCT + 5-Power Selectable

Wall Packs



**Detail Specifications:**

- Finish: Bronze, Custom finishes available
- IP Rating: Wet Location
- Impact Rating: IK08
- Beam Angle: Type IV
- BUG: B3-U5-G5
- Chip: SMD 2835, R9 >50, CRI >80
- Operating Temperature: -40° - 122° F
- Lens: Glass Lens
- Average life (L70) of 70,000 hours

**Applications:**

- Walkways & Pathways
- Parking Lots
- Hospitality, Multi-Family
- Outdoor Corridors
- Residential, Commercial and Industrial

**Product Information:**

- Sturdy die-cast aluminum housing finished with corrosion free powder coat
- Traditional metal-halide wall pack size
- Photocell is included with an easy quick disconnect
- Instant-On to full brightness

**Driver Options:**

- UNV: 120-277V 0-10V Dimmable
- HV: 277-480V 0-10V Dimmable
- Built in 6Kv Surge Protector
- THD: <20% (+/-5% tolerance), PF >0.9, 50/60Hz

**Mounting & Installation:**

- Five 1/2" knockouts: 1 one each side for convenient installation

**Certifications:**

- UL Listed for USA and CA
- DLC Listed
- ROHS Compliant
- Approved for CA T24
- 5 Year Limited Warranty
- FCC CFR 47, GCC Part 15, Subpart B:2017

5P60		5P120	
WATT	LUMENS	WATT	LUMENS
20	2,300	40	5,600
30	4,200	60	8,400
40	5,600	80	11,200
50	7,000	100	14,000
60	8,400	120	16,800

Series	Wattage	Color Temp	Finish	Photocell	Voltage	Sensor <sup>2</sup>	Emergency	Surge Protector
<b>LED-WPF -</b>		<b>- TRI -</b>		<b>- PC -</b>				
Wall Pack:	<b>5P60</b>	30/40	<b>BZ</b>	Photocell is included.	<b>(Blank)</b>	<b>(Blank)</b>	<b>(Blank)</b>	<b>(Blank)</b>
Full Line	20/30	50K	Bronze (Standard)	Easy quick disconnect.	120-277V	No Sensor	No Emergency	6KV Built In
	40/50		<b>BL</b>	(PC-3/4-	<b>HV</b>	<b>BMS</b>	<b>EMB</b>	<b>20KV</b>
	60W		Black	3PIN-LV)	277-480V	Bi-Level Motion + Daylight Sensor (S-BMS-EXT-1)	90 Minute Emergency Backup	20KV Surge Protector
	<b>5P120</b>		<b>WH</b>			<b>BMSBT</b>	<b>CEMB</b>	
	40/60		White			Bi-Level Motion + Daylight Sensor Bluetooth Control (S-BMS-EXT-1-BT)	30-120F	
	80/100		<b>GRY<sup>1</sup></b>				90 Minute Emergency Backup	
	120W		<b>CS<sup>1</sup></b>				Cold Weather -4-120F	
			Custom Color					

1. Standard quickship is bronze, black, & white. Other colors are custom finishes.

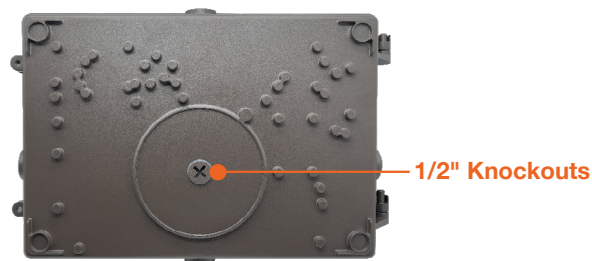
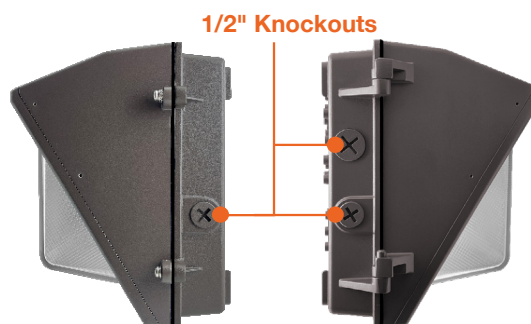
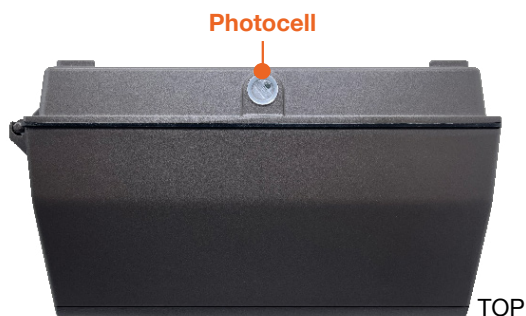
2. Sensors require remote for programming

**Optional Accessories (Order Separately)**

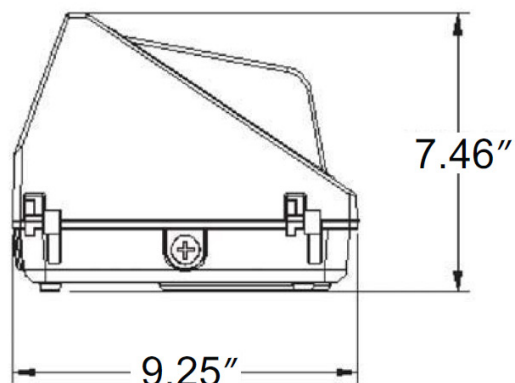
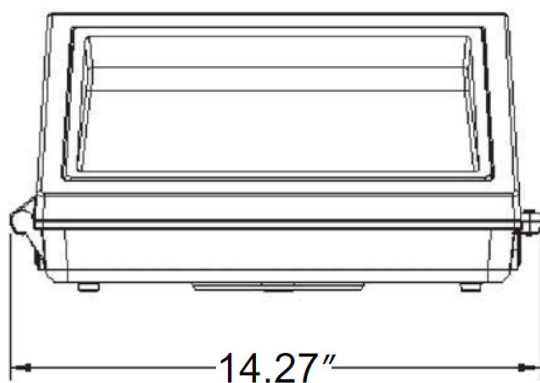
Remote for Sensors	Wire Guard	Shield
<b>S-LINE-R</b>	<b>WPF-WG</b>	<b>WPF-SHIELD</b>
S-Line Remote	Wire Guard	Shield

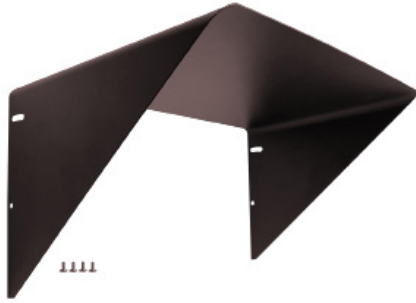
Specs and model numbers are subject to change with or without notice.

**FEATURES**

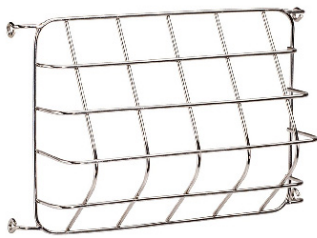


**DIMENSIONS**





**WPF-SHIELD**



**WPF-WG**



**S-BMS-EXT-1**  
**S-BMS-EXT-1-BT**



**S-LINE-R**

**WALL PACK**

Model	Voltage	Watts	Lumens	Color	CRI
LED-WPF-5P60-TRI-BZ-PC	120/277V	20/30/40/50/60w	145 lm/w	30/40/50k	>80
LED-WPF-5P120-TRI-BZ-PC	120/277V	40/60/80/100/120w	145 lm/w	30/40/50k	>80
LED-WPF-5P60-TRI-BL-PC	120/277V	20/30/40/50/60w	145 lm/w	30/40/50k	>80
LED-WPF-5P120-TRI-BL-PC	120/277V	40/60/80/100/120w	145 lm/w	30/40/50k	>80
LED-WPF-5P60-TRI-WH-PC	120/277V	20/30/40/50/60w	145 lm/w	30/40/50k	>80
LED-WPF-5P120-TRI-WH-PC	120/277V	40/60/80/100/120w	145 lm/w	30/40/50k	>80

**ACCESSORIES**

Accessory Model	Description
WPF-SHIELD	Cut Off Shield for WPF Wall Packs
WPF-WG	Wire Guard for WPF Wall Packs

**REMOTE CONTROL**

Accessory Model	Description
S-LINE-R	Remote for S-LINE Series Sensors

**HB-LINE-SENSORS**

Model	Item Description	Voltage	Watts
S-BMS-EXT-1	S-Line: Bi Level Motion Sensor w/ Daylight Harvesting, Ideal for use with LED WALLPACKS. 12V Aux REQD. (Remote Required)	12V	<1w
S-BMS-EXT-1-BT	S-Line: Bi Level Motion Sensor w/ Daylight Harvesting, Ideal for use with Wallpacks. 12V Aux REQD. (Remote Required)	12V	<1w