

Linear Vapor Tight Fixtures

2' / 4' / 8' Lengths



Detail Specification:

- Finish: Gray
- IP Rating: IP65 Wet Location
- Beam Angle: 130°
- Chip: SMD 2835, R9 >50, CRI >80
- 3 Step MacAdam Ellipses
- Operating Temperature: -40° - 122° F
- Lens: Round PMMA Frosted Lens
- Average life (L70) of 50,000 hours

Applications:

- Stairwell & Hallways
- Vandal Proof or Harsh Weather
- Utility & Storage
- Garage Structures
- Shop Lighting, Carports, Barns
- Commercial and Industrial

Product Information:

- Plastic injection non-rust housing with internal metal heat sink
- Anti-rust stainless steel mounting clips
- Easy j-box access: snap on and off tool-less design
- Select-n-Switch Technology: 4-CCT + 3-Power Selectable

Driver Options:

- UNV: 120-277V 0-10V Dimmable
- Optional 347-480V step down transformer available
- THD: <20% (+/-5% tolerance), PF >0.9, 50/60Hz
- Flicker Free

Mounting & Installation:

- Surface mount into 30 or 40 j-box
- Optional 9' suspension kit available

Certifications:

- ETL Listed for USA and CA
- DLC Premium Listed
- NSF Rated
- Approved for CA T24
- Approved for NYC & Chicago Applications
- 5 Year Limited Warranty
- FCC CFR 47, GCC Part 15, Subpart B:2017

WATT	LUMENS
15	1,950
20	2,600
25	3,250
30	3,900
40	5,200
50	6,500
60	7,800
70	9,100
80	10,400
90	11,700
100	13,000

Series	Sensor	Emergency	Driver ¹
LED-VPT-2FT-3M25-4CCT 15/20/25W • 30/35/40/50K	BMS Bi-Level Motion + Daylight Sensor	EMB Emergency Backup	(Blank) 120-277V HV 347-480V Stepdown
LED-VPT-4FT-3M50-4CCT 30/40/50W • 30/35/40/50K			
LED-VPT-4FT-3M80-4CCT 60/70/80W • 30/35/40/50K			
LED-VPT-8FT-3M100-4CCT 80/90/100W • 30/35/40/50K			

1. HV: High voltage is made to order.

Optional Accessories (Order Separately)	
Suspension Kit	Wire Guards¹
SK-9FT-ADJ-2 9' Suspension Kit	VPT-2FT-WG 2ft Wire Guard
	VPT-4FT-WG 4ft Wire Guard

1. Wire guards are made to order. Available locally.

Specs and model numbers are subject to change with or without notice

FEATURES



Knock-Outs on Both Ends, Connectable with Waterproof Connectors

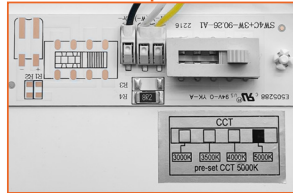
Internal Bi-Level Motion Sensor (Optional)



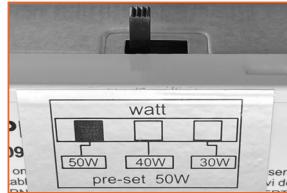
Surface Mount Brackets



Steel Lock Mounts

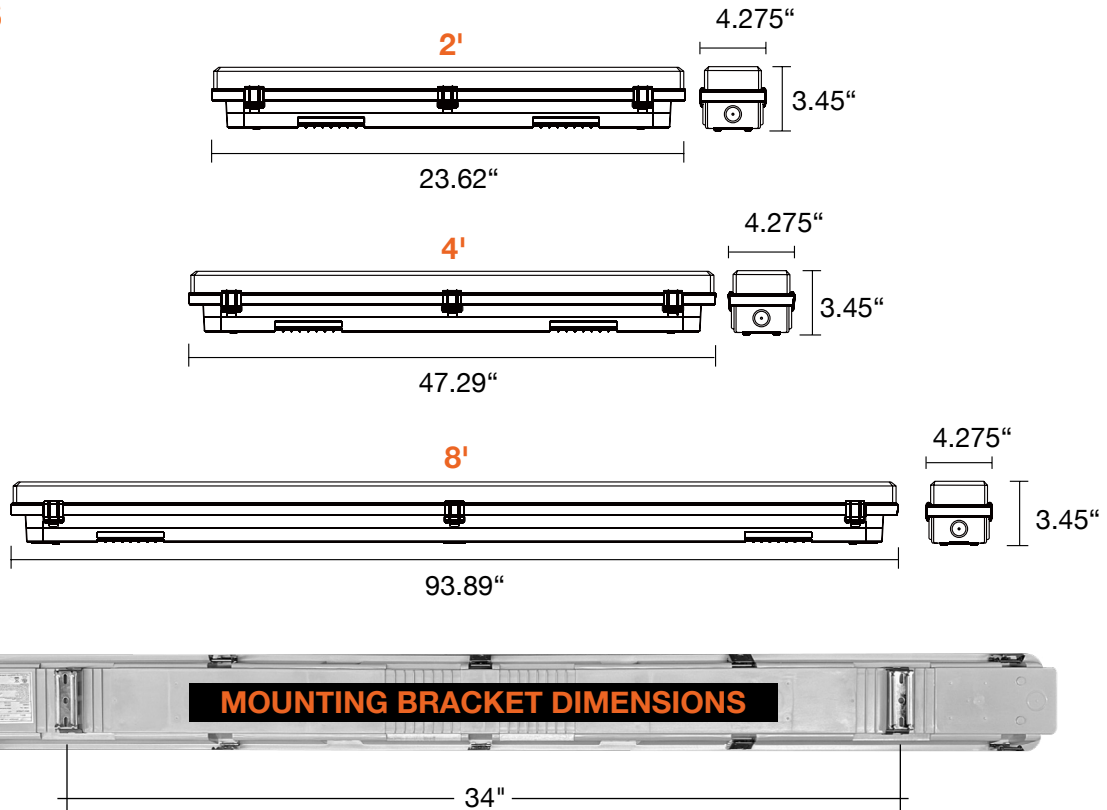


4-Color Selectable



3 Watt Selection

DIMENSIONS



ACCESSORIES



SK-9FT-ADJ-2



VPT-2FT-WG
VPT-4FT-WG

Model	Voltage	Watts	Lumens	Color	CRI
LED-VPT-2FT-3M25-4CCT	120-277V	15/20/25w	130lm/w	30/35/40/50k	>80
LED-VPT-4FT-3M50-4CCT	120-277V	30/40/50w	130lm/w	30/35/40/50k	>80
LED-VPT-4FT-3M80-4CCT	120-277V	60/70/80w	130lm/w	30/35/40/50k	>80
LED-VPT-8FT-3M100-4CCT	120-277V	80/90/100w	130lm/w	30/35/40/50k	>80

SUSPENSION KIT

Model	Description
SK-9FT-ADJ-2	9' Suspension Kit

WIRE GUARDS

Model	Description
VPT-2FT-WG	2ft Wire Guard
VPT-4FT-WG	4ft Wire Guard (order 2 for 8ft fixtures)