



ARCY-Line: Under Cabinet Fixture Architectural Models



120V Triac Dimmable

120V Triac Dimmable

120V Triac Dimmable w/ USB + USB-C and 120-277V Dimmable w/ USB + USB-C

LUMEN BY SIZE	
8" 4W	180
11" 6W	350
14" 8W	570
22" 10W	750
28" 12W	900
33" 15W	1,050
42" 18W	1,250

Detail Specifications:

- Finishes:
 - WH: White
 - BZ: Bronze (select models only)
- IP Rating: Damp Location
- Beam Angle: 180°
- Chip: SMD 2835, R9 >50, CRI >90
- Operating Temperature: -4° - 114° F
- Lens: Frosted Acrylic, non-yellowing
- Housing: Die-cast Aluminum
- UV & IR Free
- 5CCT: 27/30/35/40/50K
- Average life (L70) of 50,000 hours

Applications:

- Under Cabinet Lighting
- Residential & Multifamily
- Task Lighting
- Education, Healthcare, Retail, Hospitality

Product Information:

- Even light distribution: no hotspots on the lens
- Instant-on to full brightness
- High-low-off toggle switch: choose between 100% & 50% brightness
- Slim profile: only 1" thick
- Integrated USB + USB-C model available

Driver Options:

- Voltage:
 - 120V Triac dimmable down to 10%
 - 120-277V, 0-10V dimmable
- THD: <20% (+/-5% tolerance), PF >0.9, 50/60Hz
- Flicker Free

Mounting & Installation:

- 3/8" flexible conduit or 3-wire romex
- 0-10V Dimming wires (UNV model)
- Mounting knockouts behind diffuser cover
- Hardwire or optional power cord available
- Built in screws for easy surface mounting
- End connectors: daisy change multiple fixtures without wiring

Certifications:

- ETL Listed for USA and CA
- CA Title 24 JA8-2022 CEC Listed
- 3 Year Limited Warranty
- FCC CFR 47, GCC Part 15, Subpart B:2017
- IC Rated and ASTM-E283 Air-Tight
- Complies with UL 263, ASTM E119, CAN ULC S101

120V Triac Dimmable

- LED-UC-8I-4W-5CCT-WH
- LED-UC-11I-6W-5CCT-WH
- LED-UC-14I-8W-5CCT-WH
- LED-UC-22I-10W-5CCT-WH
- LED-UC-28I-12W-5CCT-WH
- LED-UC-33I-15W-5CCT-WH
- LED-UC-42I-18W-5CCT-WH
- LED-UC-8I-4W-5CCT-BZ
- LED-UC-11I-6W-5CCT-BZ
- LED-UC-14I-8W-5CCT-BZ
- LED-UC-22I-10W-5CCT-BZ
- LED-UC-28I-12W-5CCT-BZ
- LED-UC-33I-15W-5CCT-BZ
- LED-UC-42I-18W-5CCT-BZ

120V Triac Dimmable w/ USB + USB-C

- LED-UC-11I-6W-5CCT-USB-WH
- LED-UC-14I-8W-5CCT-USB-WH
- LED-UC-22I-10W-5CCT-USB-WH
- LED-UC-28I-12W-5CCT-USB-WH
- LED-UC-42I-18W-5CCT-USB-WH

120-277V • 0-10V Dimmable w/ USB + USB-C

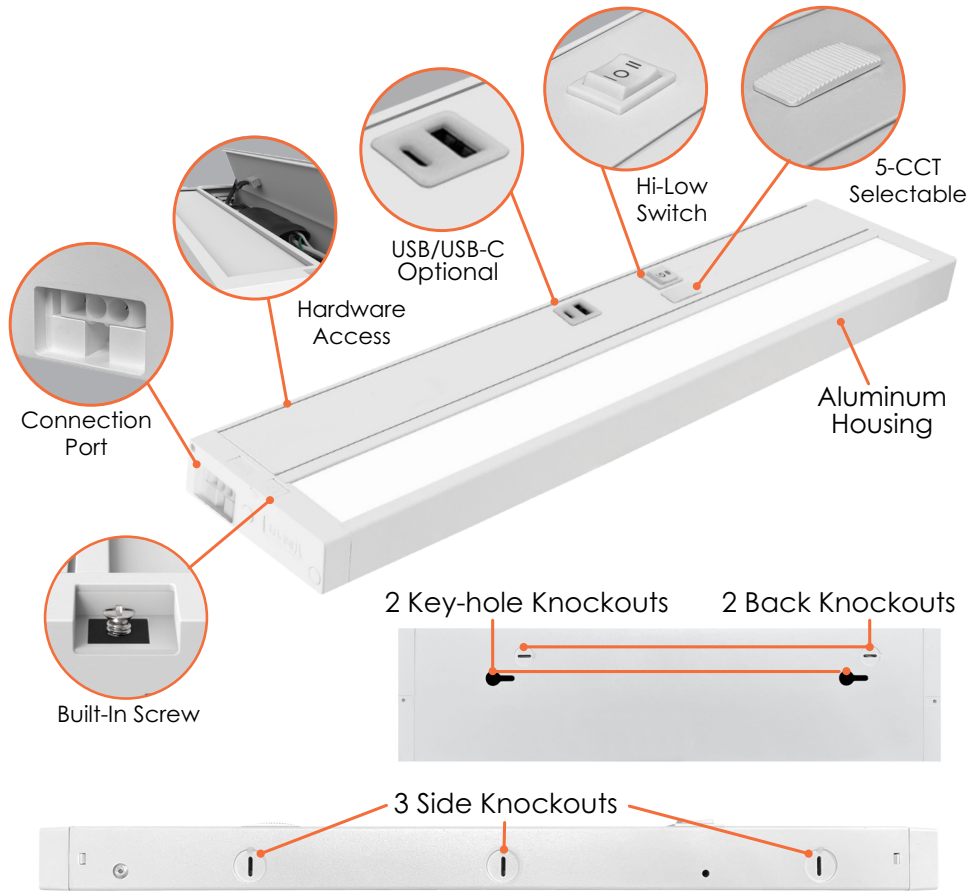
- LED-UC-14I-8W-5CCT-USB-WH-UNV
- LED-UC-22I-10W-5CCT-USB-WH-UNV
- LED-UC-28I-12W-5CCT-USB-WH-UNV
- LED-UC-42I-18W-5CCT-USB-WH-UNV

Accessories

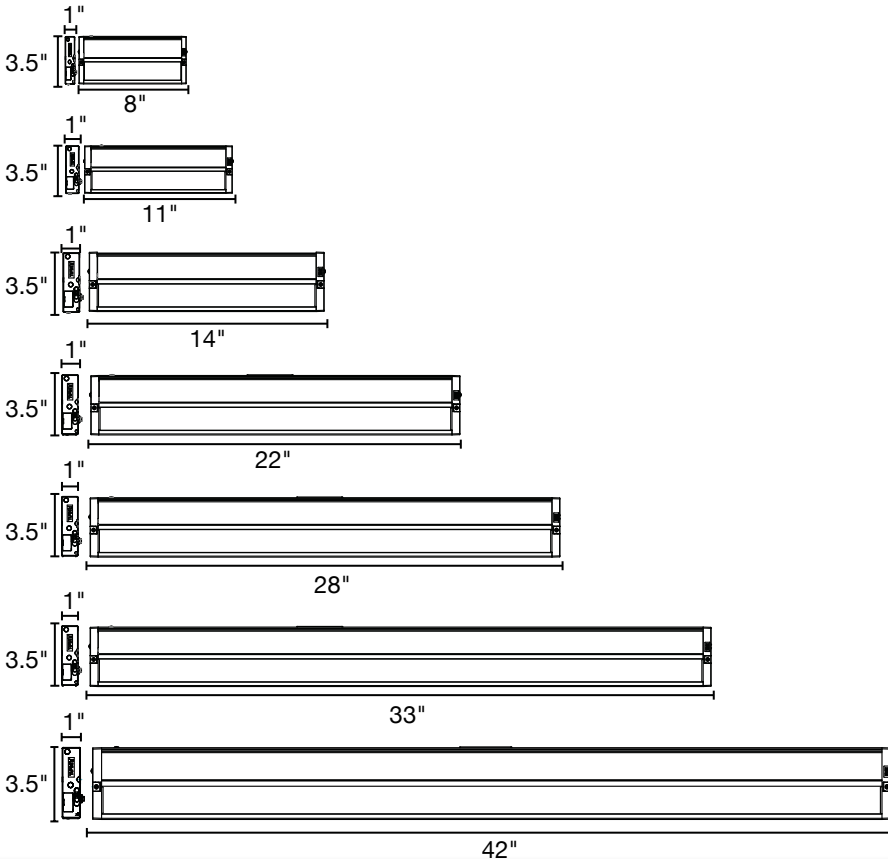
- UC-JUMPER-6"-W
6" UC Jumper (White)
- UC-JUMPER-12"-W
12" UC Jumper (White)
- UC-JUMPER-24"-W
24" UC Jumper (White)
- UC-JUMPER-6"-B
6" UC Jumper (Bronze)
- UC-JUMPER-12"-B
12" UC Jumper (Bronze)
- UC-JUMPER-24"-B
24" UC Jumper (Bronze)
- UC-5'-PC-WH
5' Power Cable (White)
- UC-5'-PC-BZ
5' Power Cable (Bronze)
- UC-JBOX
Undercabinet Jumper Box

Specs and model numbers are subject to change with or without notice.

FEATURES



DIMENSIONS



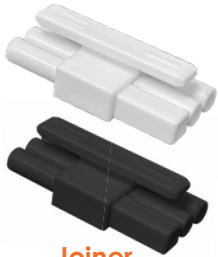
TRIAC DIMMER COMPATIBILITY

Brand	Model	
Lutron	MACL-153M	SELV-300P
	LGCL-153PLH	DVELV-300P
	TAL06P-C1-K-L	DV-600-PR-LA
	TGCL-153PH	DV-600PR-BL
	AYCL-153P	DV-600PR-WH
	DVCL-153P	S-2-LH
	DVSCCL-153P	CT-600PR-WH
	SCL-153P	DVW-603-PGH-WH
	MSCL-OP-153M	CT-600PR-IV
	CTCL-153P	S-600-PR-LA
Cooper	ASPIRE-9573	DEVINE-DLC03P
	SKYE-SLC03P	SAL06P
	AAL06-C1-K-L	DAL06P-C1-K-L
Leviton	6631	6633

**The listed dimmers have been tested and proven to work. Some discrepancies may exist due to different electrical work. These dimmers are recommended, but is not limited to other dimmers from working.*

ACCESSORIES

Included



Joiner



3/8" Connector



Screws & Anchors

Optional



**UC-JUMPER-6"-W
UC-JUMPER-12"-W
UC-JUMPER-24"-W**



**UC-JUMPER-6"-B
UC-JUMPER-12"-B
UC-JUMPER-24"-B**



UC-5'-PC-WH



UC-5'-PC-BZ

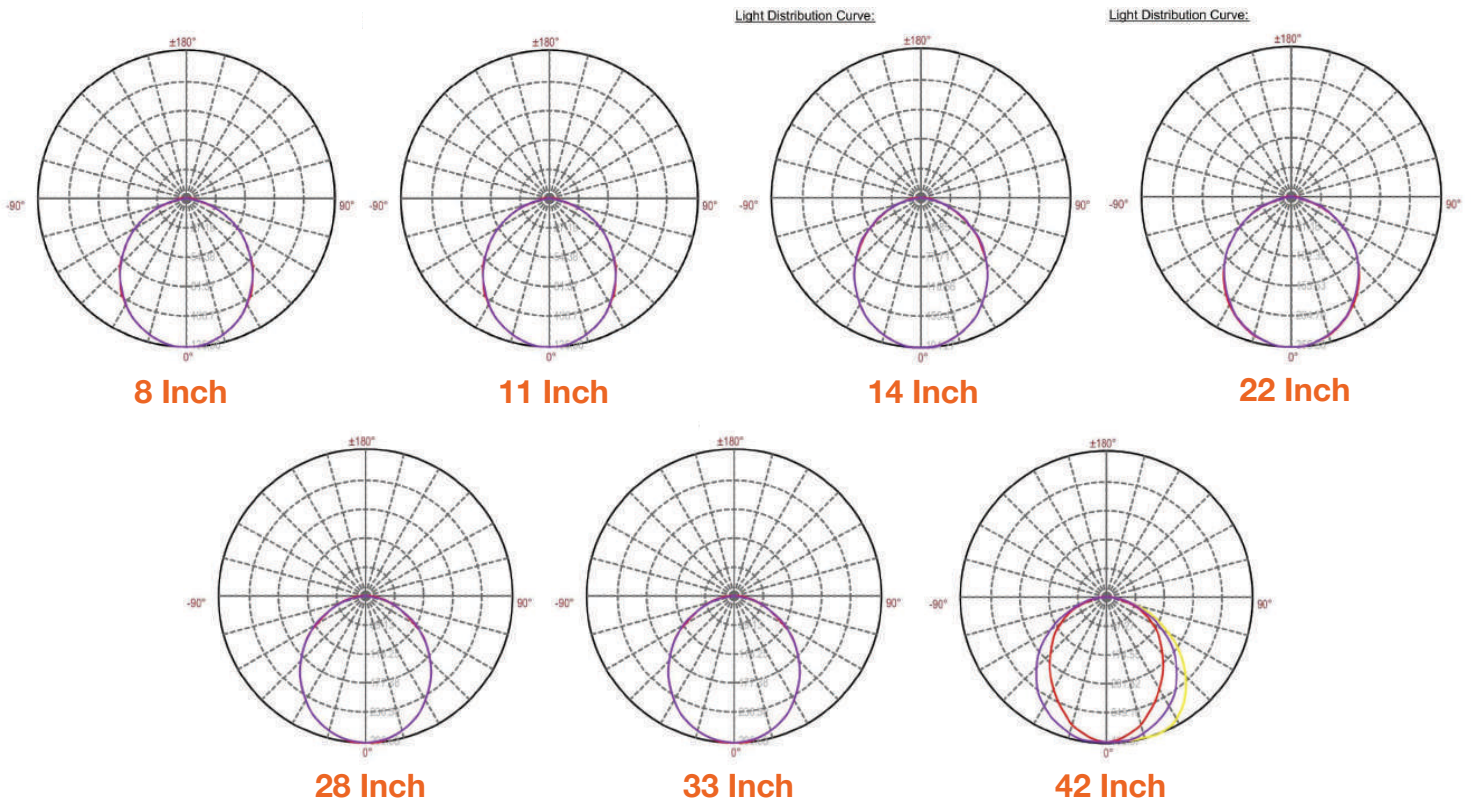


UC-JBOX

Accessory Model	Description
UC-JUMPER-6"-W	6" UC Jumper
UC-JUMPER-12"-W	12" UC Jumper
UC-JUMPER-24"-W	24" UC Jumper
UC-JUMPER-6"-B	6" UC Jumper
UC-JUMPER-12"-B	12" UC Jumper
UC-JUMPER-24"-B	24" UC Jumper
UC-5'-PC-WH	5' Power Cable
UC-5'-PC-BZ	5' Power Cable
UC-JBOX	Undercabinet Junction Box

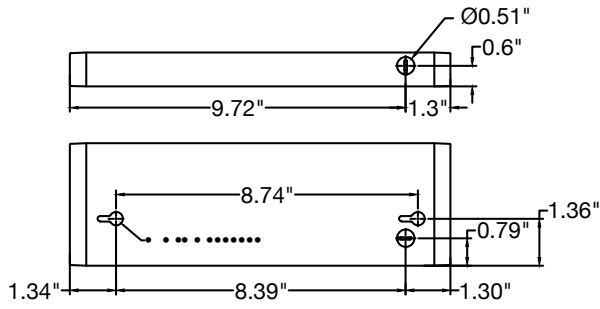
PHOTOMETRICS

Light Distribution

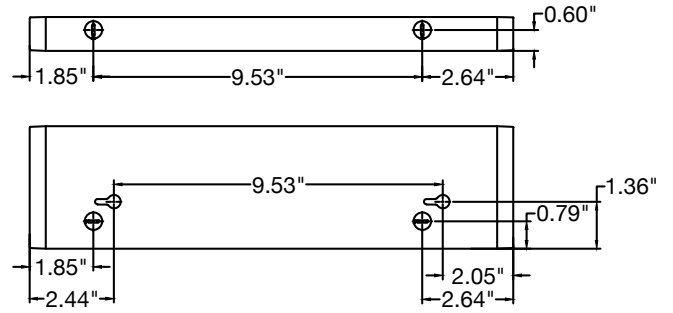


KNOCKOUT DIMENSIONS - LED-UC & LED-UC-USB

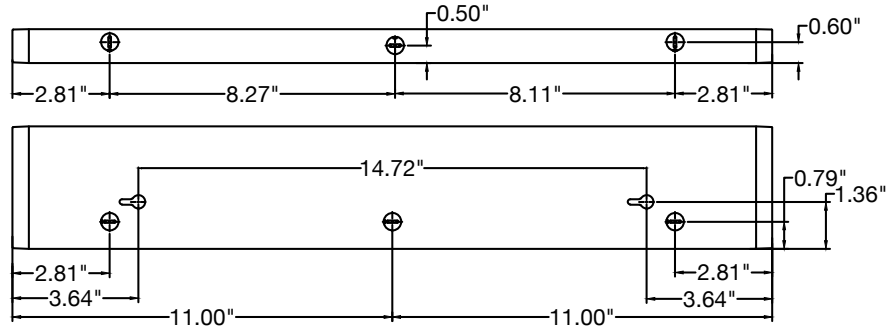
11"



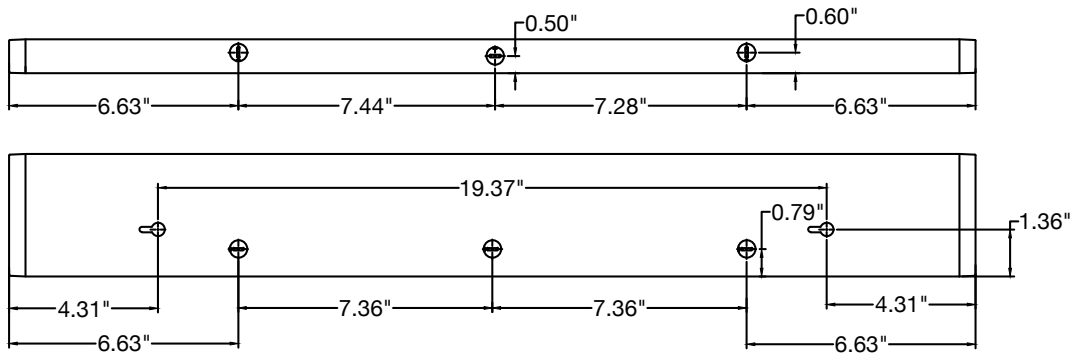
14"



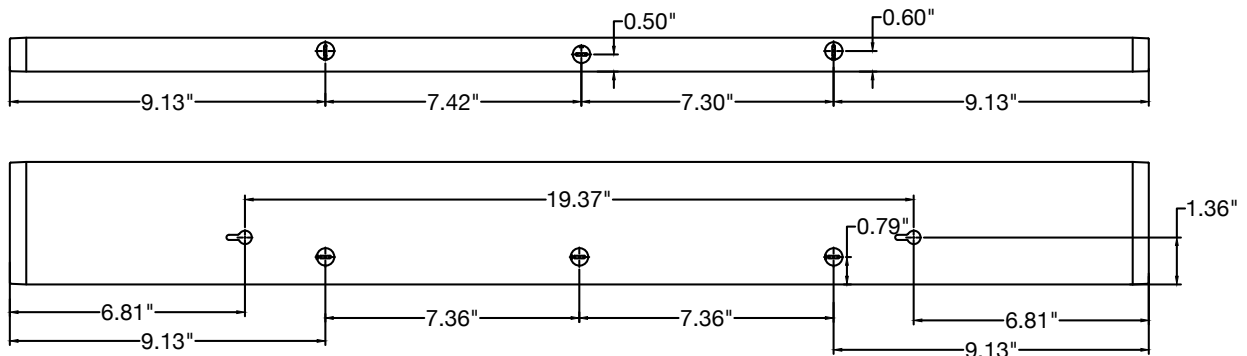
22"



28"



33"



42"

