

Square Sports Light: Arcy-Line

3-Power Selectable



Detail Specifications

- Finish: Black (made to order colors available)
- IP Rating: Wet Location
- Beam Angle: 35° standard, (25°, 55° available)
- CCT: 5000K
- Chip: SMD 3030, R9 >50, CRI >80
- Operating Temperature: -40° - 114° F
- Lens: PC Lens: Clear acrylic with optics
- EPA:
 - 3P800: 2.7FT²
- BUG: B4-U0-G5
- Average life (L70) of 70,000 hours

Applications:

- Sports Arenas and Recreational Fields
- Yard, Barn, Agriculture lighting
- High mast
- Outdoor Lighting

Product Information:

- Sturdy die-cast aluminum housing finished with corrosion free powder coat
- 3 beam angle options available
- Shield is included with every fixture
- Select-n-Switch Technology : 3-Power Selectable
- Instant-On to full brightness
- 3' power cord standard on all fixtures

Driver Options:

- UNV: 120-277V 0-10V Dimmable Standard
- HV: 277-480V 0-10V Dimmable Available
- Built in 10Kv Surge Protector
- DMX512 dimming standard for theatrical effects
- Compatible with Synapse Wireless & AVI-ON controls
- THD: <20% (+/-5% tolerance), PF >0.9, 50/60Hz

Mounting & Installation:

- Standard yoke mount included
- Optional slip fitter available
- Head tilts up and down 90°
- See installation guide for more details

Certifications:

- UL Listed for USA and CA
- DLC Premium Listed
- ROHS Compliant
- IESNA LM-79 & LM-80 tests available
- Approved for CA T24
- ANSI 3G Vibration Rated
- FCC CFR 47, GCC Part 15, Subpart B:2017
- 5 Year Limited Warranty

| WATT | LUMENS |
|------|---------|
| 400 | 60,000 |
| 600 | 90,000 |
| 800 | 120,000 |

| Series | Voltage ¹ | Finish ² | Optic | Photocell |
|---|------------------------|--|--|-------------------------------------|
| LED-SQSPL-3P800W-50K-YK 400/600/800W Yoke Mount | UNV 120-277V | BLK (Standard) | (Blank) 35° | (Blank) No Photocell |
| | HV 220-480V | CS ² Custom Color | 20D 20° 55D 55° | PC Dusk to Dawn Photocell |

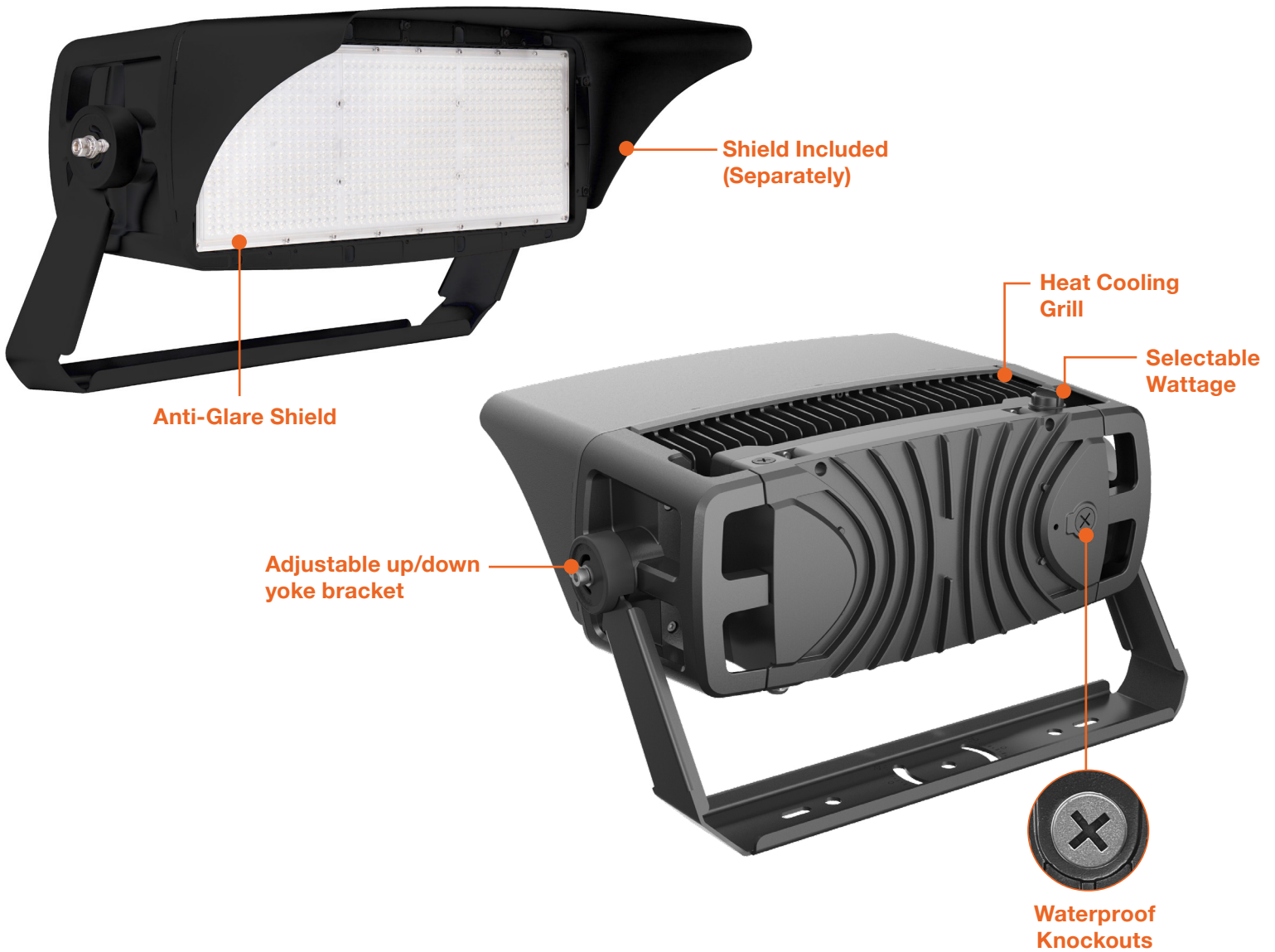
1. Standard quick ship is UNV. HV is made to order locally.

2. Standard quick ship is black. Other colors are custom finishes available at the factory level.

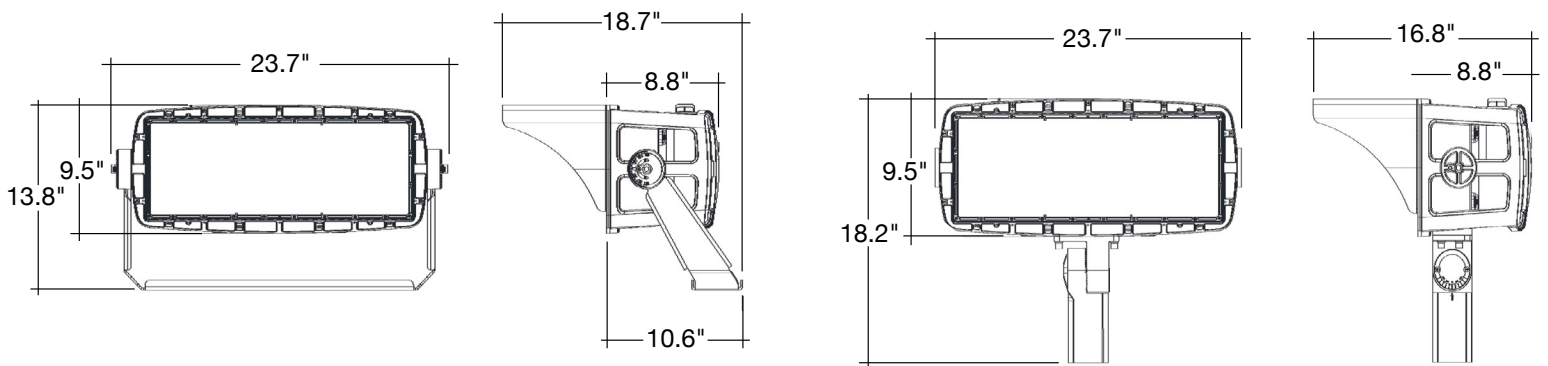
| Optional Accessories (Order Separately) | | |
|--|---------------------------------------|--|
| Mounts | Laser Aiming Device | Anti-Glare Shield |
| SPL-SF Field Installable Slip Fitter | SPL-LSR Laser Aiming Device | SQSPL-AG Anti-glare shield on LED optics |

Specs and model numbers are subject to change with or without notice. Customization of product is available.

FEATURES



DIMENSIONS



Slip Fitter



SPL-SF

SPORTS LIGHT FIXTURE

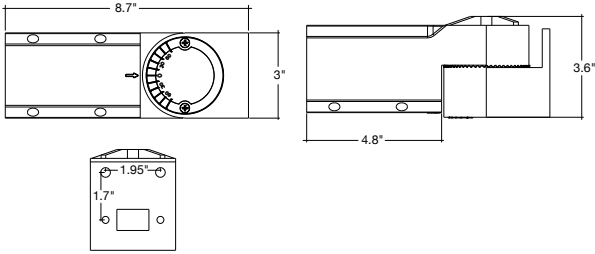
| Model | Voltage | Watts | Lumens | Color | CRI |
|-------------------------|----------|--------------|---------|-------|-----|
| LED-SQSPL-3P800W-50K-YK | 120-277V | 400/600/800w | 130lm/w | 5000k | >80 |

ACCESSORIES

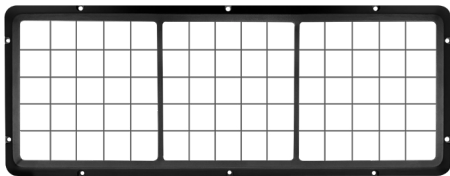
| Model | Description |
|---------|-------------------------------|
| SPL-SF | Field Installable Slip Fitter |
| SPL-LSR | Laser Aiming Device |

ANTI-GLARE SHIELD

| Model | Description |
|----------|---------------------------------|
| SQSPL-AG | Anti-glare shield on LED optics |



SPL-LSR



SQSPL-AG