

Round Canopy Light: Slim-Line

3-CCT & 3-Power Selectable



Detail Specification:

- Finish: White or Bronze
- IP Rating: Wet Location (IP65)
- Beam Angle: 150°
- Chip: SMD 2835, R9 >50, CRI >80
- 3 Step MacAdam Ellipses
- Operating Temperature: -4° - 124° F
- Lens: Clear Ribbed
- Average life (L70) of 50,000 hours

Applications:

- Utility & Storage
- Garage & Parking Structures
- Dock and loading
- Soffits
- Outdoor corridor
- Commercial and Industrial

Product Information:

- Sturdy di-cast aluminum housing finished with corrosion free powder coat
- Four 1/2" knockouts: 1 one each side for convenient installation
- Twist-C Technology
- Select-N-Switch Technology

Driver Options:

- UNV: 120-277V 0-10V Dimmable
- THD: <15% (±5% tolerance), PF >0.9, 50/60Hz
- Isolated Driver
- Flicker Free

Mounting & Installation:

- 30 or 40 J-Box Surface Mount
- 3/4" Pendant Mount

Certifications:

- UL Listed for USA and CA
- DLC Listed
- Approved for CA T24
- 5 Year Limited Warranty
- FCC CFR 47, GCC Part 15, Subpart B:2017

WATT	LUMENS
22	3,190
30	4,350
38.5	5,582
47	6,815
55	7,975
60	8,700
70	10,150
80	11,600
90	13,050
100	14,500



Motion Sensor



HB03R

Remote Control

Series

LED-RCP -

Round Slim
Canopy Light

Wattage

5P55
22/30/38.5/47/55W
120-277V
5P100
60/70/80/90/100W
120-277V

CCT

- TRI
30/40/50K

EMB

(Blank)
No Emergency
Back-Up
EMB
90 Min.
Emergency
Back-up

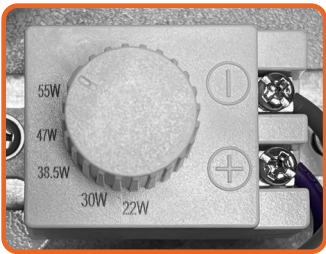
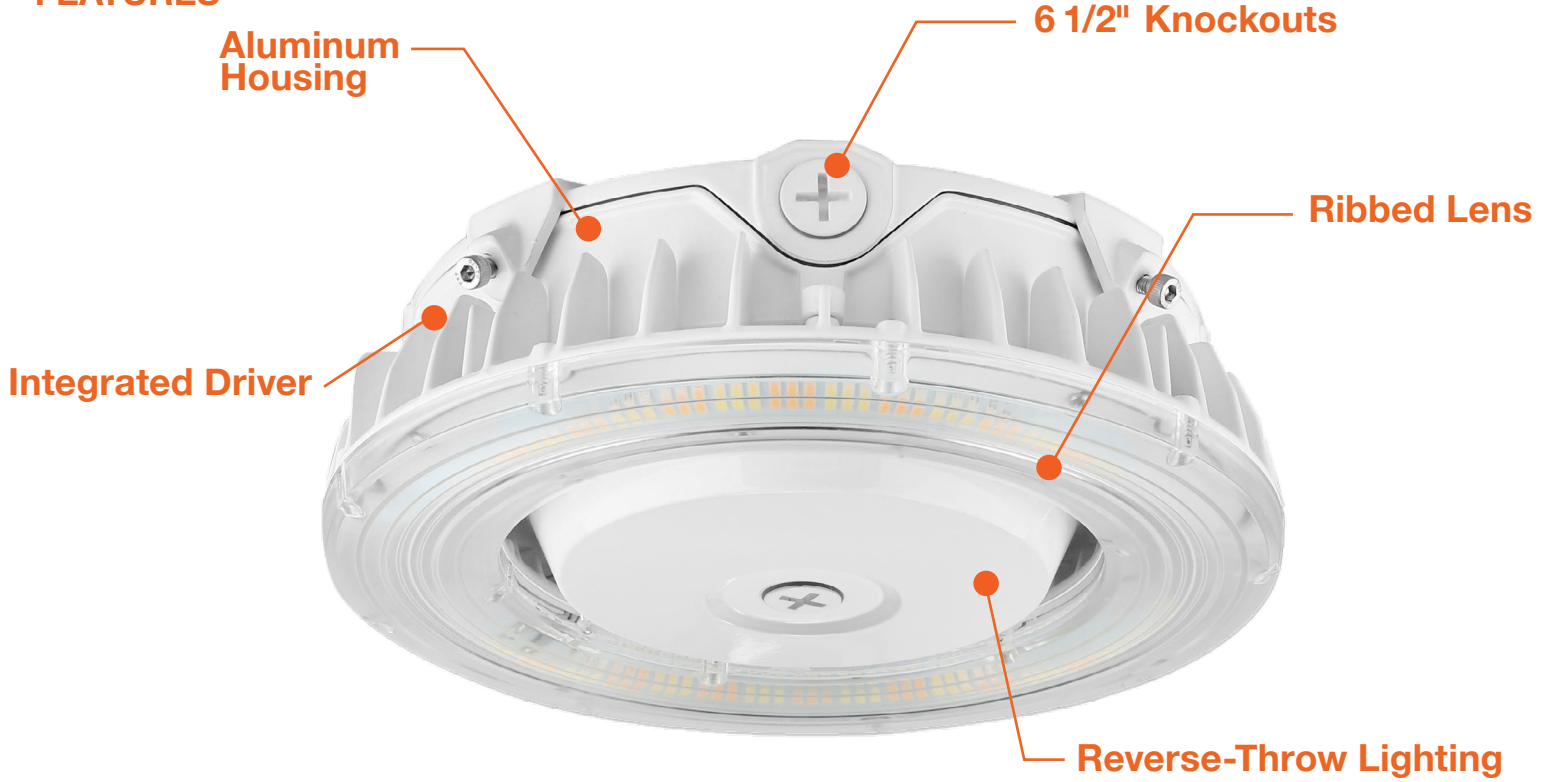
Optional Accessories (Order Separately)

Sensor Remote

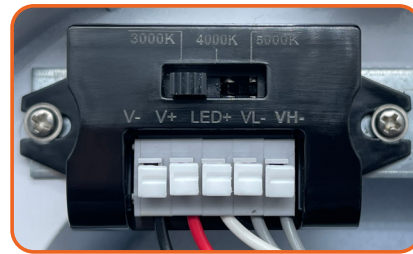
HB01DMS-A
Bi-Level Motion + Day-
light Sensor
HB03R
Remote for HB01DMS-A

Specs and model numbers are subject to change with or without notice.

FEATURES

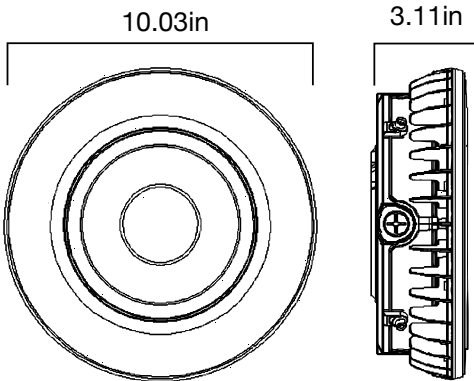


5-Watt Selectable
Select between 5 different wattages



3-CCT Selectable
Select between 3 different colors

DIMENSIONS



HB03R
Controller



HB01DMS-A
Sensor

Model	Voltage	Watts	Lumens	Color	CRI
LED-RCP-5P55W-TRI-WH	120-277V	22/30/38.5/47/55w	145lm/w	30/40/50k	>80
LED-RCP-5P55W-TRI-BZ	120-277V	22/30/38.5/47/55w	145lm/w	30/40/50k	>80
LED-RCP-5P100W-TRI-WH	120-277V	22/30/38.5/47/55w	145lm/w	30/40/50k	>80
LED-RCP-5P100W-TRI-BZ	120-277V	22/30/38.5/47/55w	145lm/w	30/40/50k	>80

ACCESSORIES

Accessory Model	Description
HB03R	Remote for HD Sensors
HB01DMS-A	Motion+Daylight Sensor (HB03R Remote Req)

Mounting:

- Easy surface mount installation with universal mounting plate
- Easy Ø 3/4" pendant mount/stem installation
- Pre-wired circuit wiring built in (3 in / 3 out)
- Ø 3/4" Knockouts located on 4 sides