



Mini Area Floodlights: XS-Line

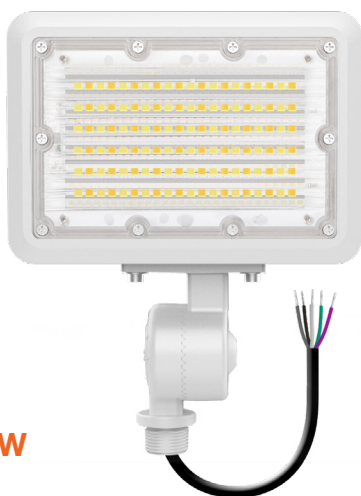
3-CCT w/ Selectable Photocell



15W



30W



Detail Specifications

- Finish: Bronze or White
- IP Rating: Wet Location (IP65)
- Beam Angle: 120°
- CCT: 30/40/50K Selectable
- Chip: SMD 2835, R9 >50, CRI >80
- Operating Temperature: -40° - 122° F
- Lens: PC Lens: Clear acrylic
- Average life (L70) of 50,000 hours

Applications:

- Dock and Loading
- Walkways & Pathways
- Parking Lots
- Hospitality, Multi-Family
- Outdoor Corridors
- General Outdoor Lighting
- Residential, Commercial and Industrial

Product Information:

- Sturdy die-cast aluminum housing finished with corrosion free powder coat
- Selectable Photocell included on each fixture
- 1.5' STJW 18.3 AWG cable whip included
- Select-n-Switch Technology
- Instant-On to full brightness

Driver Options:

- UNV: 120-277V 0-10V Dimmable
- Built in 6Kv Surge Protector
- THD: <20% (+/-5% tolerance), PF >0.9, 50/60Hz

Mounting & Installation:

- ½" Knuckle mount installed on each fixture
- Yoke mount included in the box

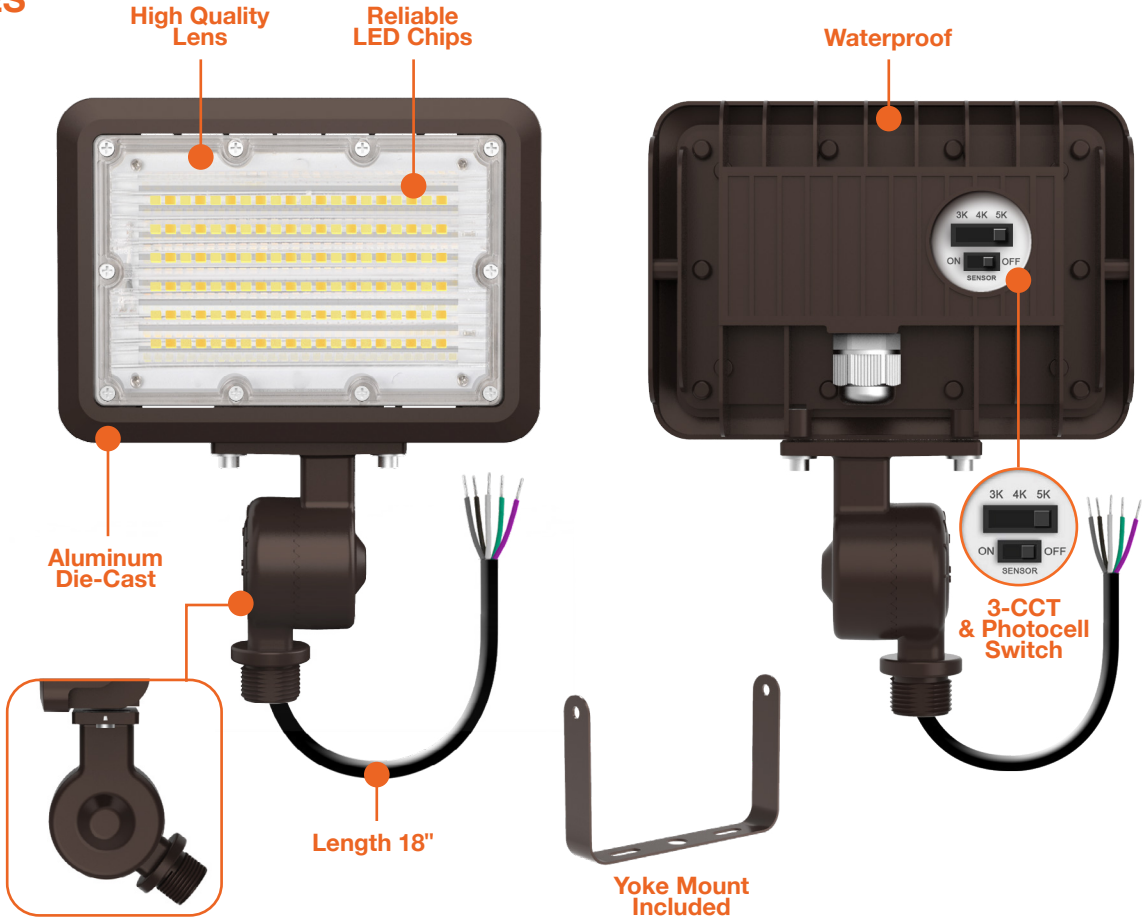
Certifications:

- UL Listed for USA and CA
- DLC Listed
- ROHS Compliant
- Approved for CA T24
- 5 Year Limited Warranty
- FCC CFR 47, GCC Part 15, Subpart B:2017

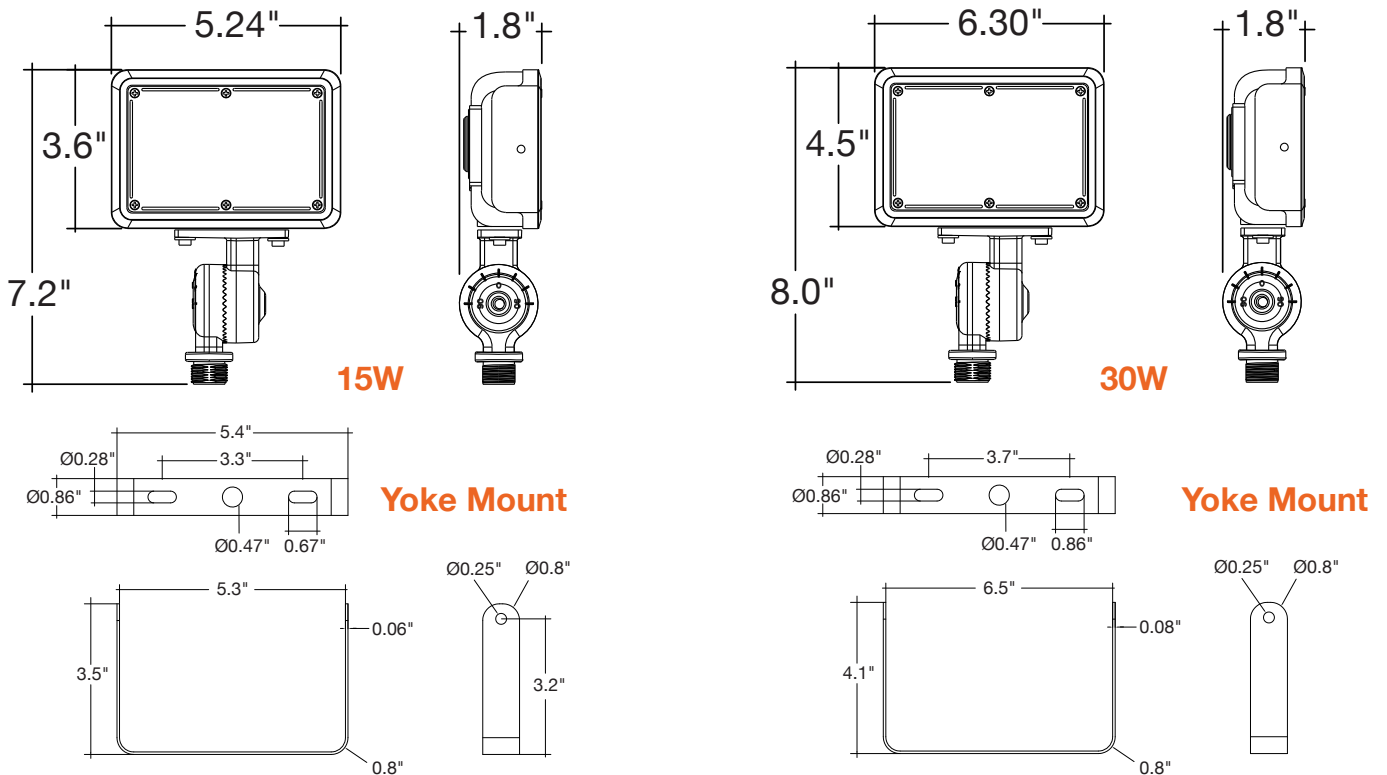
| Series | Color | Bracket | Photocell |
|--|-------------------------------|--|--|
| LED-FL-15W-TRI 15W • 1,950lm | BZ Bronze | - KNYK - ½" Knuckle Installed. | PC Selectable photocell is included. |
| LED-FL-30W-TRI 30W 3,900lm | WH White (Standard) | Trunnion included. | |

Specs and model numbers are subject to change with or without notice.

FEATURES



DIMENSIONS



Specs and model numbers are subject to change with or without notice.