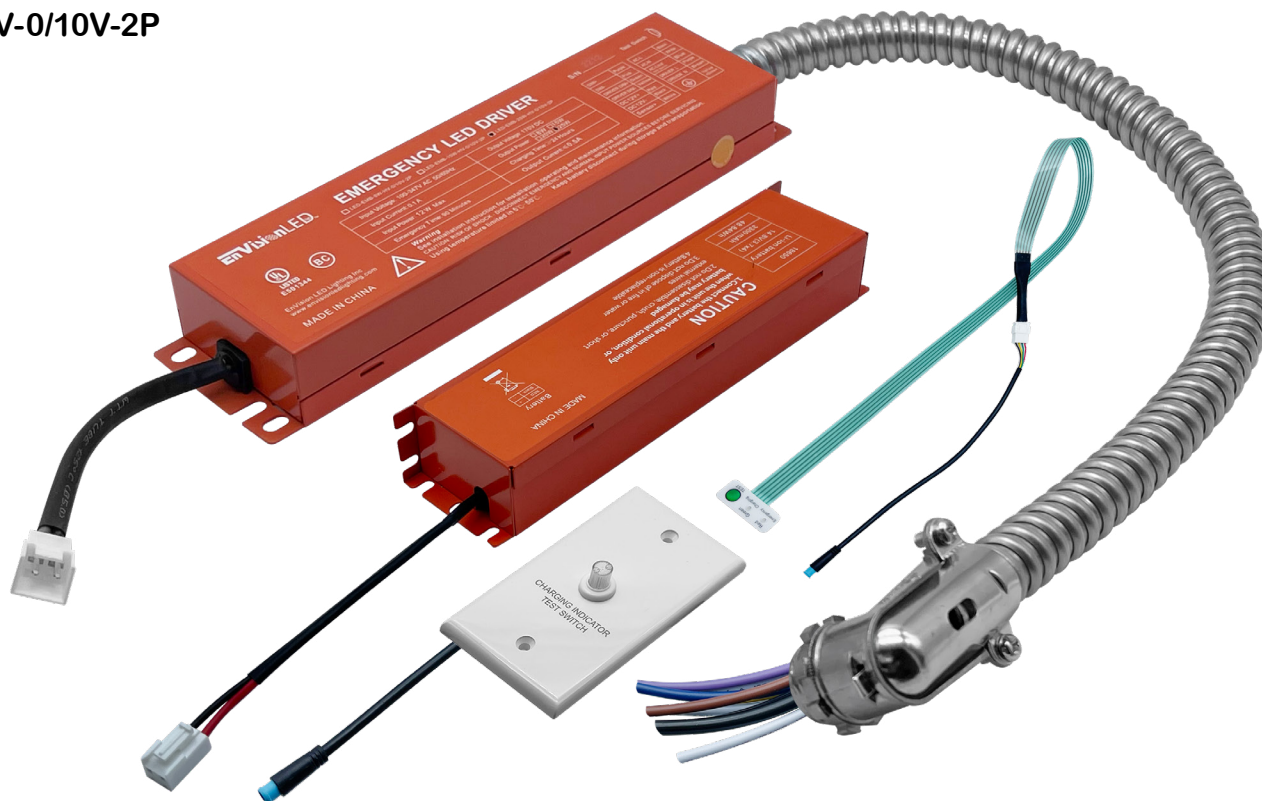




Battery Backup (Split Design)

8W-HV-0/10V-2P



SPECIFICATIONS

INPUT VOLTAGE	100-347VAC, 50/60Hz
INPUT CURRENT	0.1A Max
INPUT POWER	6W Max
OUTPUT VOLTAGE	170V DC
OUTPUT POWER	8W
AMBIENT TEMP	41° F - 122° F
EMERGENCY TIME	1.5 Hrs.

FEATURES

- Universal input voltage (100-277v AC, 50/60Hz)
- Constant output power (auto-sensing output)
- UL Listed for field installation
- Battery protection: over/under voltage, over-temp., short circuit
- Backup runtime: 90 minutes
- For use with external driver w/ internal housing space: wall packs, canopy, etc.

CAUTION

1. The emergency LED driver must be connected to 0/1-10V dimming wires (DIM+, DIM-) of the fixture if the LED luminaire power exceeds the emergency LED driver power.
2. In emergency mode, double-click this test switch to turn off the current emergency state.

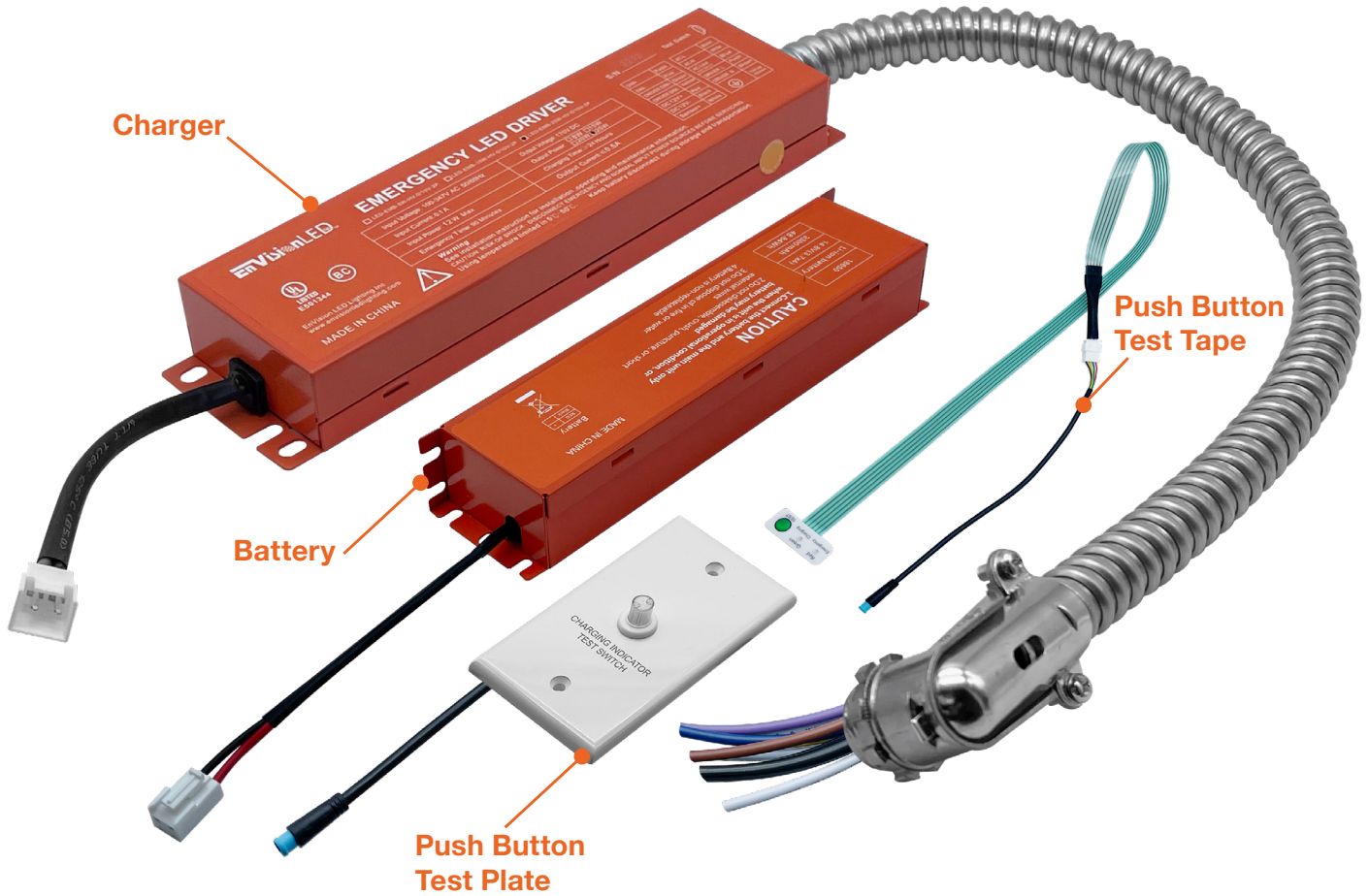
Quick Ship Product

LED-EMB-8W-HV-0/10V-2P

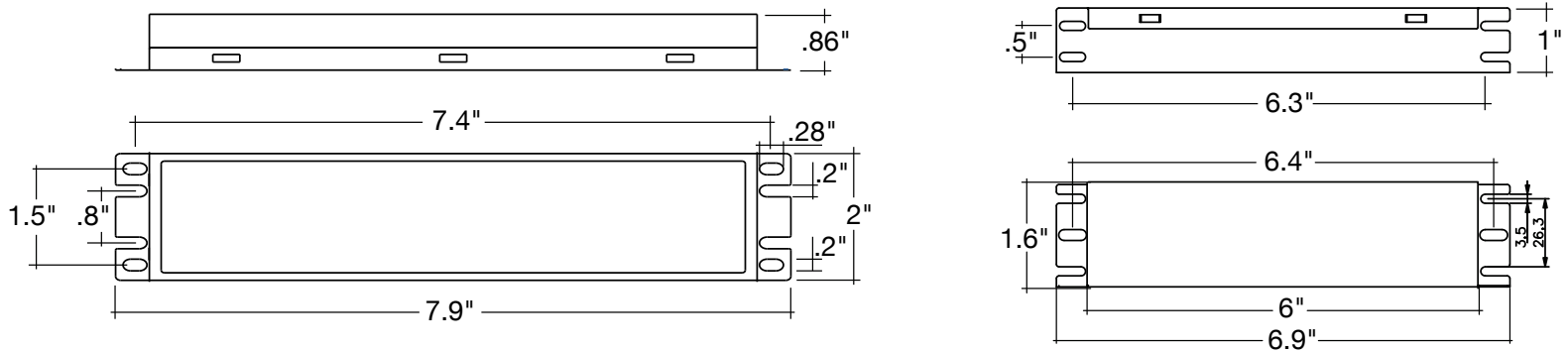
8W • Input: 120/277V • Output: 120V

Specs and model numbers are subject to change with or without notice.

FEATURES



DIMENSIONS



Specs and model numbers are subject to change with or without notice.



PLEASE READ AND FOLLOW ALL SAFETY INSTRUCTIONS

- Risk of fire or electric shock. Luminaires wiring and electrical parts may be damaged when drilling for installation of LED emergency back-up. Check for enclosed wiring and components.
- Risk of fire or electric shock. This LED emergency backup installation requires knowledge of luminaires electrical systems. If not qualified, do not attempt installation. Contact a qualified electrician.
- Before installing, make certain the AC power to the fixture is OFF.
- The electrical rating of this product is 100-347V. Installer must confirm that there is 100-347Vac the fixture before installation.
- To prevent electrical shock, only mate unit connector after installation is complete and before the AC power to the fixture is back on.
- This LED emergency backup unit is requires an un-switched AC power source of 100-347V, 50/60Hz
- Do not let power supply cords touch hot surfaces.
- Do not mount near gas or electrical heaters.

WIRING DIAGRAM

For 0-10V dimmable LED driver with input power higher than emergency output power

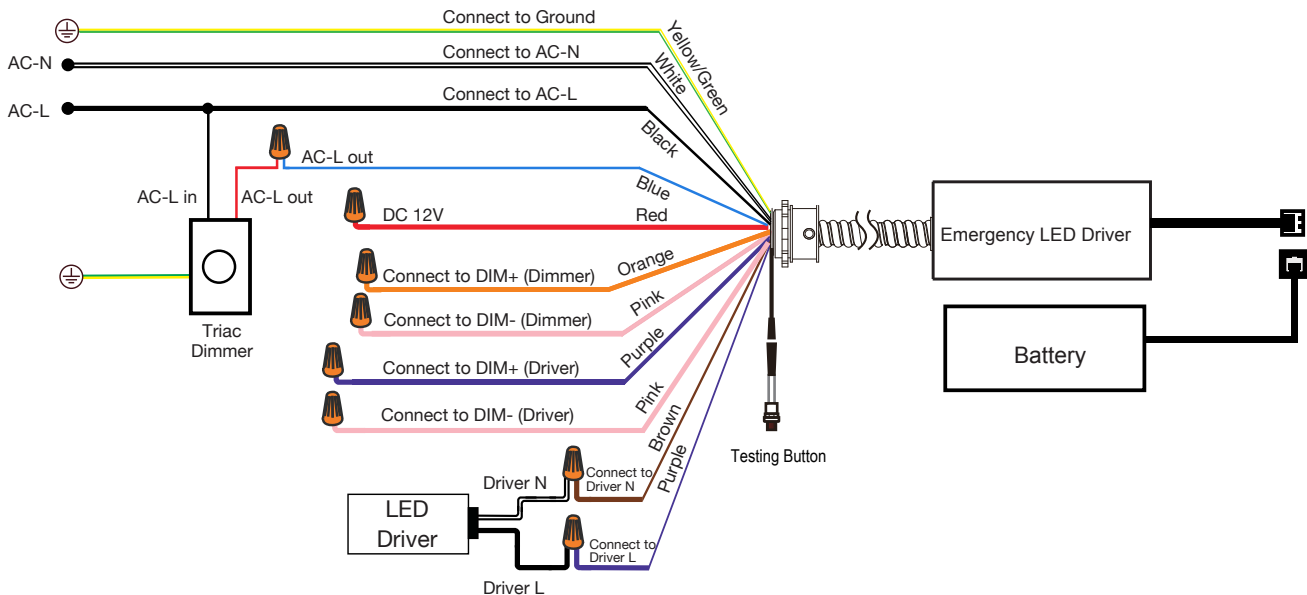
Emergency driver Dim+ (Purple), Driver Dim- (Pink) has to connect with LED driver DIM+ and DIM-

1 With 0-10V Dimmer



For Triac dimmable LED driver with input power less than 20W

2 With Triac Dimmer

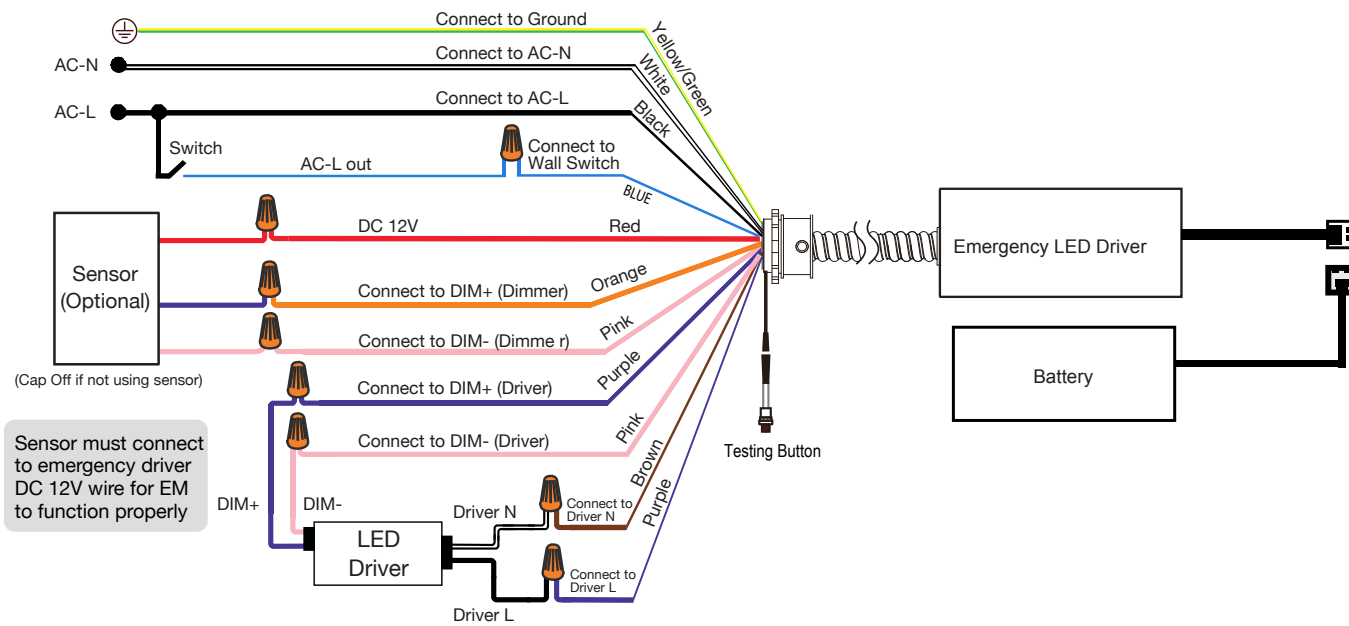


WIRING DIAGRAM

For 0-10V dimmable LED driver with input power higher than emergency output power

Emergency driver Dim+ (Purple), Driver Dim- (Pink) has to connect with LED driver DIM+ and DIM-

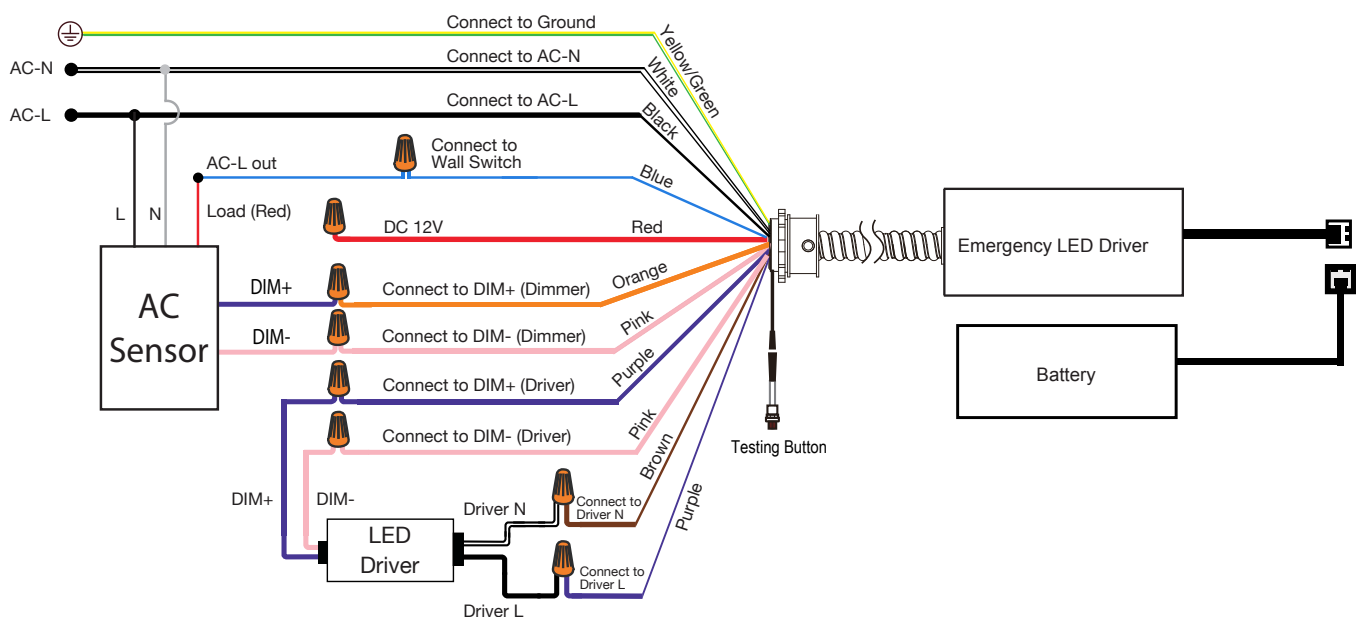
3 With low voltage 12VDC sensor



For 0-10V dimmable LED driver with input power higher than emergency output power

Emergency driver Dim+ (Purple), Driver Dim- (Pink) has to connect with LED driver DIM+ and DIM-

4 With line voltage sensor 100-347V AC





IMPORTANT SAFEGUARDS

When using electrical equipment, basic safety precautions should always be followed including the following.

PLEASE READ AND FOLLOW ALL SAFETY INSTRUCTIONS

IMPORTANT: Before installing, make certain the AC power to the fixture is off to avoid electric shock.

IMPORTANT: An un-switched AC power source of 100VAC to 347VAC is required. This device is designed for use in fixtures listed for dry and damp locations.

IMPORTANT: Verify that all replacement lamp types marked on the installed luminaire are also identified as suitable for use with this emergency battery pack.

IMPORTANT: It is recommended to charge the battery within half a year to prevent over discharge.

IMPORTANT: Customers are advised to recharge emergency LED DRIVER 24 HOURS every 6 months during storage.

CAUTION: Make sure all electrical connections conform to the National Electrical Code and all applicable local regulations.

CAUTION: Do not let power supply cords touch hot surfaces.

CAUTION: Do not mount near gas or electric heaters.