

Battery Backup

40W-HV-0/10V



SPECIFICATIONS

OUTPUT VOLTAGE	170VDC
UNIVERSAL INPUT VOLTAGE	100-347VAC, 50/60Hz
AC INPUT CURRENT	200mA Max.
AC INPUT POWER RATING	15W
EMERGENCY TIME	90 Minutes
FULL WARRANTY	5 Years
OUTPUT POWER	40W
TEST SWITCH/CHARGE LIGHT	Low Voltage, Illum. Test Switch
BATTERY CHARGING CURRENT	500mA
RECHARGE TIME	24 Hours
TEMPERATURE RATING (Ambient)	Li-Ion 0°F to 122°F
OUTPUT CURRENT	460mA

FEATURES

- Standard CSA C22.2 NO.141, UL924, IP65
- Universal Input (100-347VAC)
- Built-In Lithium Battery
- Battery protection: Over-charge protection, over-discharge protection, short circuit protection
- Batteries meet 500 cycles of standard charge and discharge
- Silicone potted
- Waterproof Rate: IP65

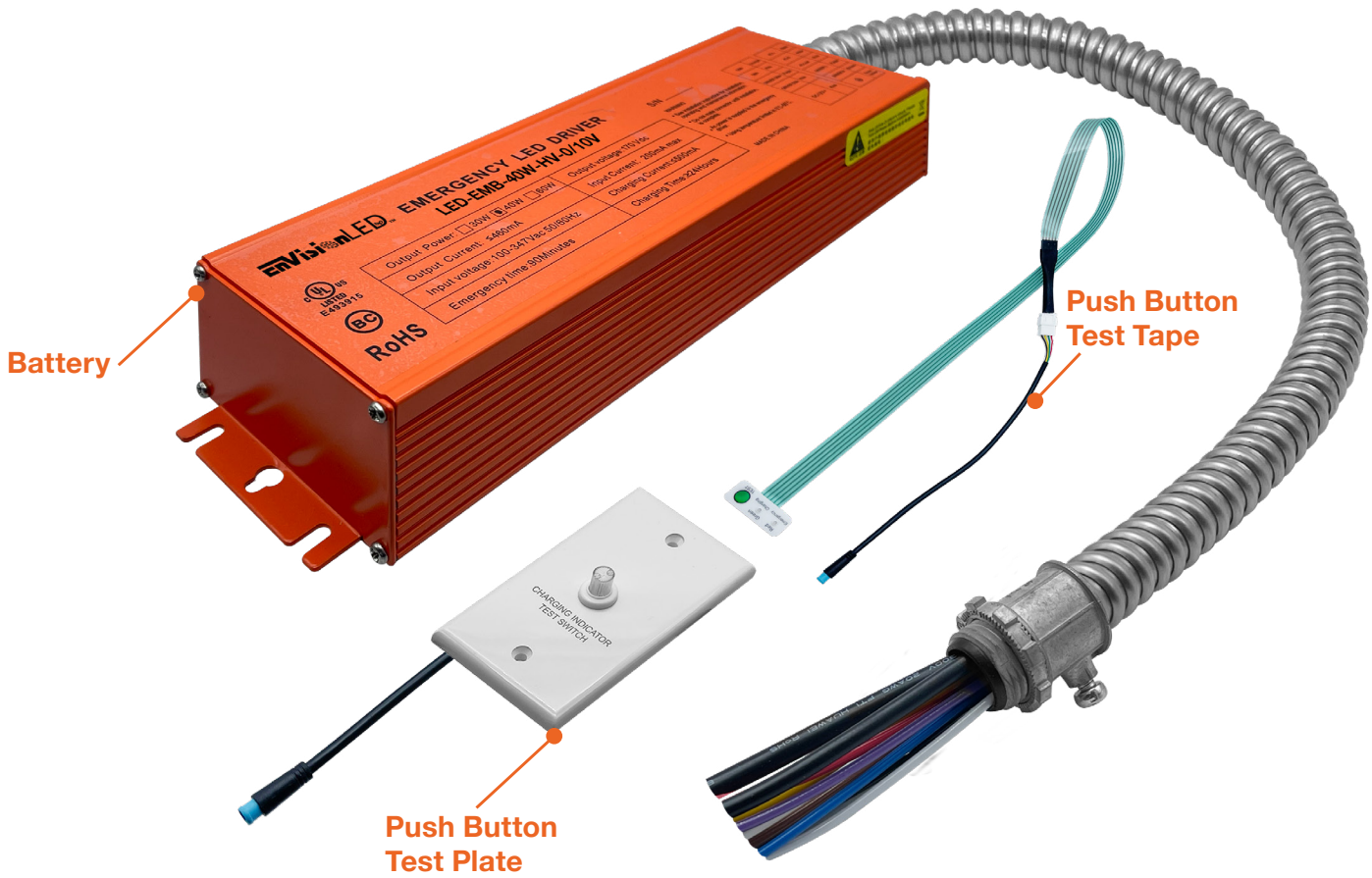
Series

LED-EMB-40W-HV-0/10V

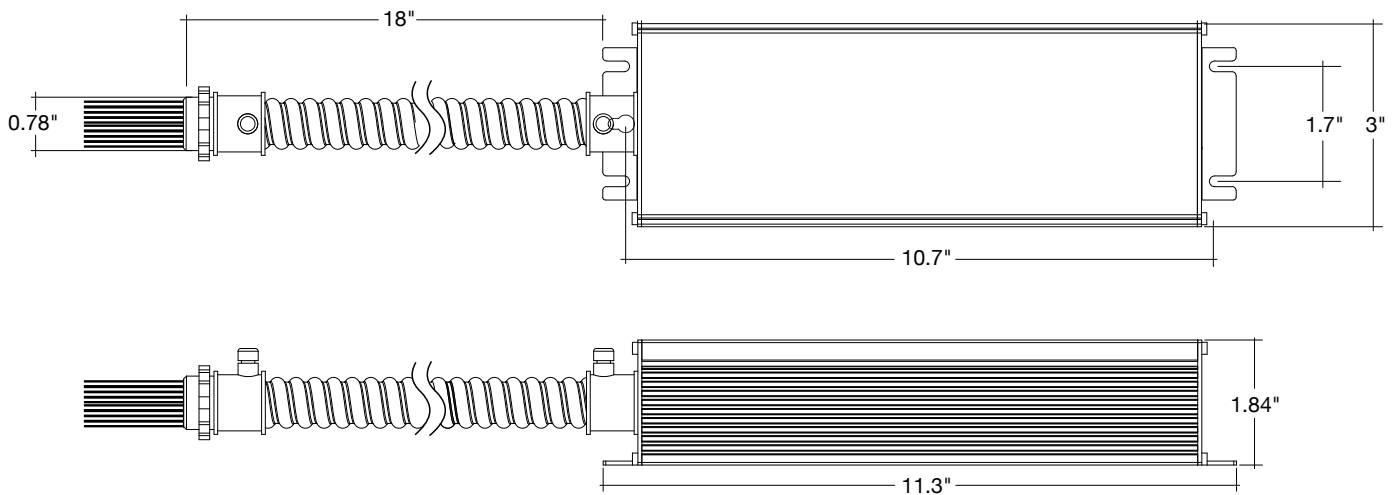
40W • Input: 100-347V AC 50/60Hz • Output: 170Vdc

Specs and model numbers are subject to change with or without notice.

FEATURES



DIMENSIONS



Specs and model numbers are subject to change with or without notice.

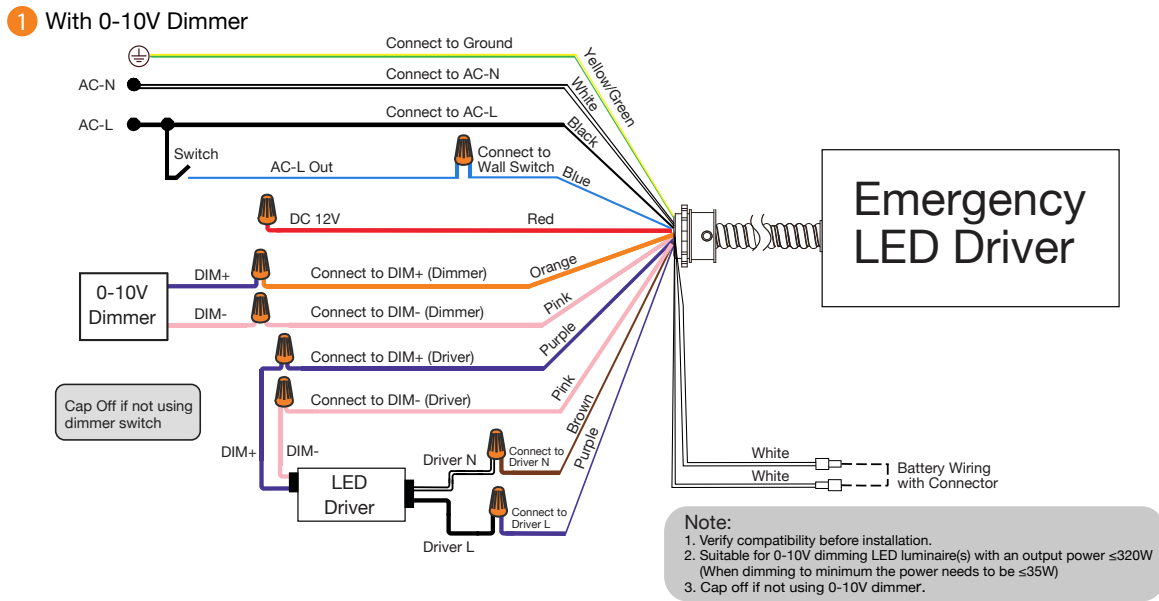
⚠ PLEASE READ AND FOLLOW ALL SAFETY INSTRUCTIONS

- Risk of fire or electric shock. Luminaires wiring and electrical parts may be damaged when drilling for installation of LED emergency back-up. Check for enclosed wiring and components.
- Risk of fire or electric shock. This LED emergency backup installation requires knowledge of luminaires electrical systems. If not qualified, do not attempt installation. Contact a qualified electrician.
- Before installing, make certain the AC power to the fixture is OFF.
- The electrical rating of this product is 100-347V. Installer must confirm that there is 100-347Vac the fixture before installation.
- To prevent electrical shock, only mate unit connector after installation is complete and before the AC power to the fixture is back on.
- This LED emergency backup unit is requires an un-switched AC power source of 100-347V, 50/60Hz
- Do not let power supply cords touch hot surfaces.
- Do not mount near gas or electrical heaters.

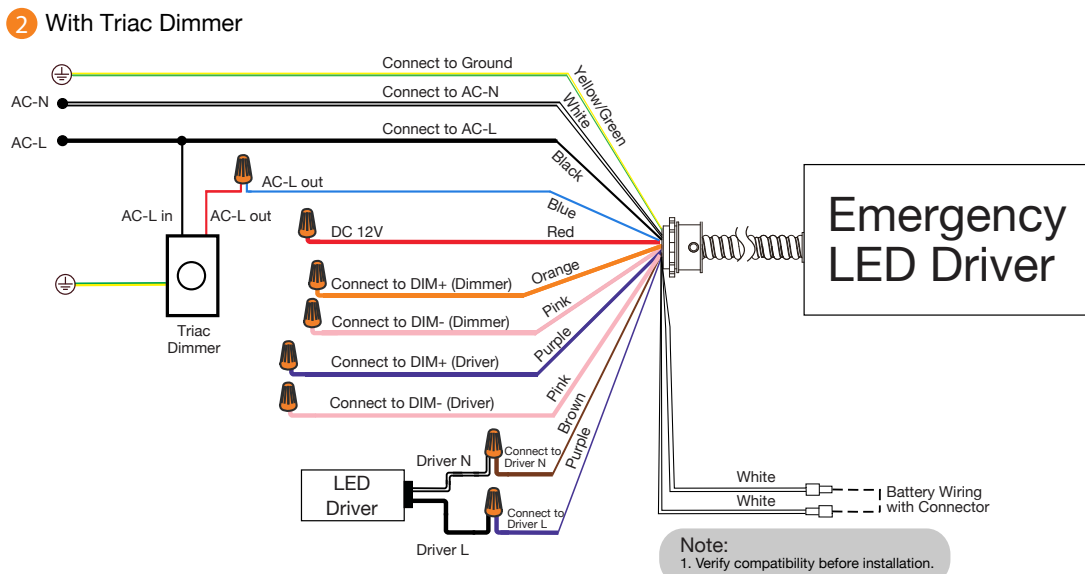
WIRING DIAGRAM

For 0-10V dimmable LED driver with input power higher than emergency output power

Emergency driver Dim+ (Purple), Driver Dim- (Pink) has to connect with LED driver DIM+ and DIM-



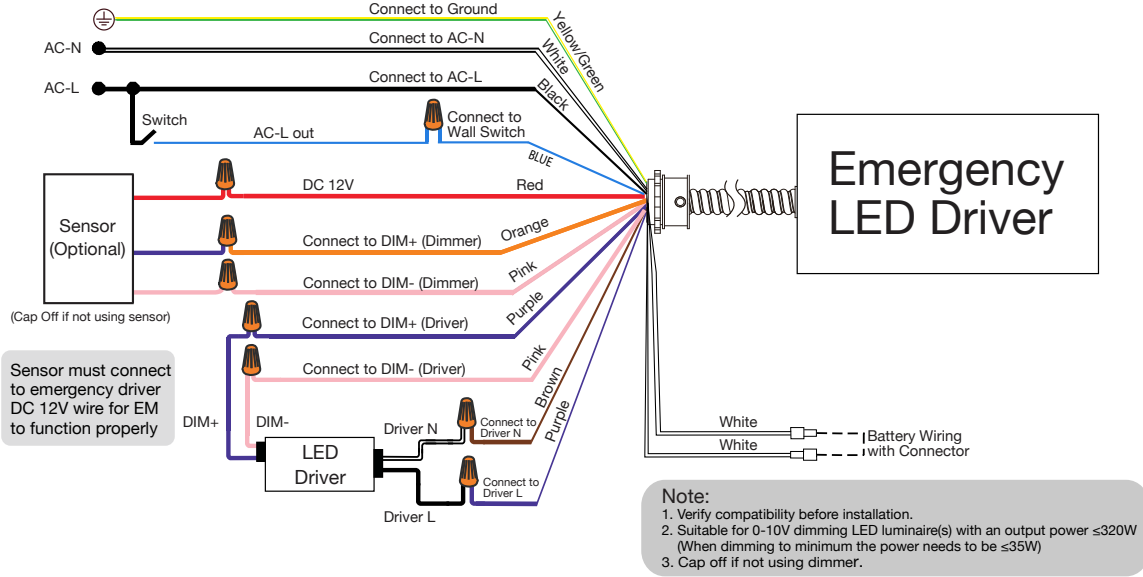
For Triac dimmable LED driver with input power less than 40W



For 0-10V dimmable LED driver with input power higher than emergency output power

Emergency driver Dim+ (Purple), Driver Dim- (Pink) has to connect with LED driver DIM+ and DIM-

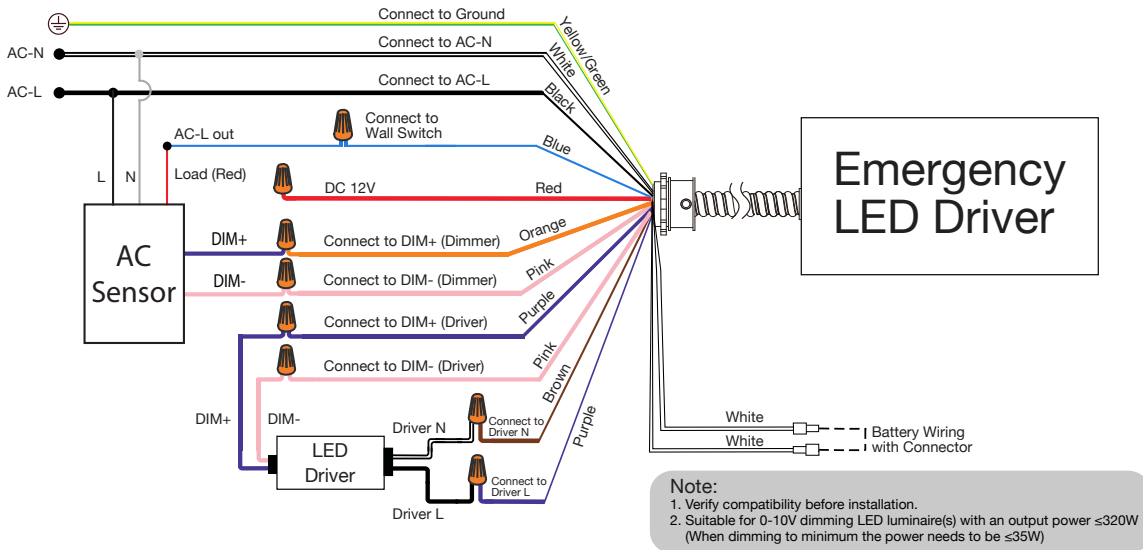
3 With low voltage 12VDC sensor



For 0-10V dimmable LED driver with input power higher than emergency output power

Emergency driver Dim+ (Purple), Driver Dim- (Pink) has to connect with LED driver DIM+ and DIM-

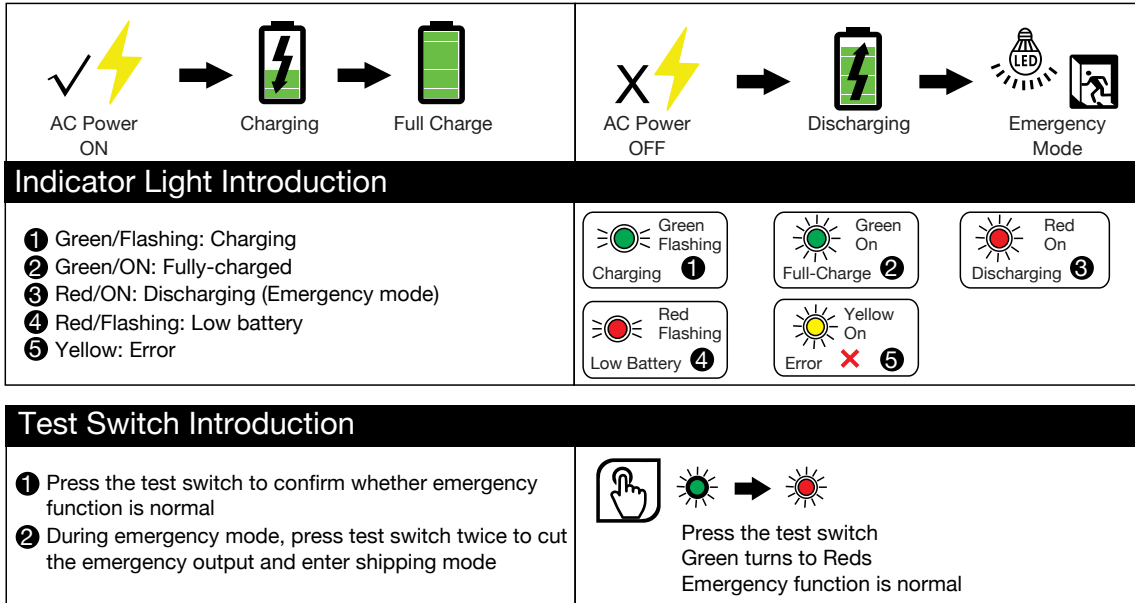
4 With high voltage sensor 100-347V AC



OPERATION

AC Operation: AC power is present. The AC driver operates the LED load as designed. The emergency driver is charging in a standby mode. The charging indicator will be lit, showing that the battery is charging.

Emergency Operation: When the AC power goes out, the emergency driver detects the AC power outage and automatically switch to emergency mode. When red LED light is OFF, that means driver is discharging. When the AC power is restored, the emergency driver goes back to AC power and starts recharging.



IMPORTANT SAFEGUARDS

When using electrical equipment, basic safety precautions should always be followed, including the following:

READ AND FOLLOW ALL SAFETY INSTRUCTIONS

CAUTION: RISK OF SHOCK-disconnect emergency and normal input power sources before servicing

ASSEMBLY and FIELD INSTALLATION WIRING: WARNING: AC power must be off before proceeding with assembly or installation of emergency driver.

IMPORTANT: An un-switched AC power source is required (100-347Vac).

CAUTION: Make sure all electrical connections conform to the National Electrical Code and all applicable local regulations.

CAUTION: This is a sealed unit. Components are not replaceable. Replace the entire LED Emergency Backup unit when necessary.

CAUTION: Equipment should be mounted in locations and at heights where it is not be subjected to tampering by unauthorized personnel.

CAUTION: The use of accessory equipment is not recommended by the manufacturer and may cause an unsafe condition.

CAUTION: Use with grounded, UL Listed, dry or damp location rated fixtures. Case should also be grounded.

CAUTION: Battery is rechargeable Li-ion type and must be recycled or disposed of properly

CAUTION: Suitable for use in 41°F -58°F ambient temperatures

CAUTION: This product is for use in indoor fixtures only. Do NOT use near heated air handling outlets or hazardous locations..

Do not let power supply cords touch hot surfaces. Do not mount near gas or electric heaters. Do not use this equipment for other than its intended use. Failure to follow this may cause an unsafe condition and will void warranty. Servicing of this equipment should be performed by qualified personnel only.

IMPORTANT: Customers are advised to charge emergency LED driver 24 hours every 6 months during storage.

IMPORTANT: Lighting fixture manufacturers, electricians, and end-users need to ensure product system compatibility test before using and final installation.