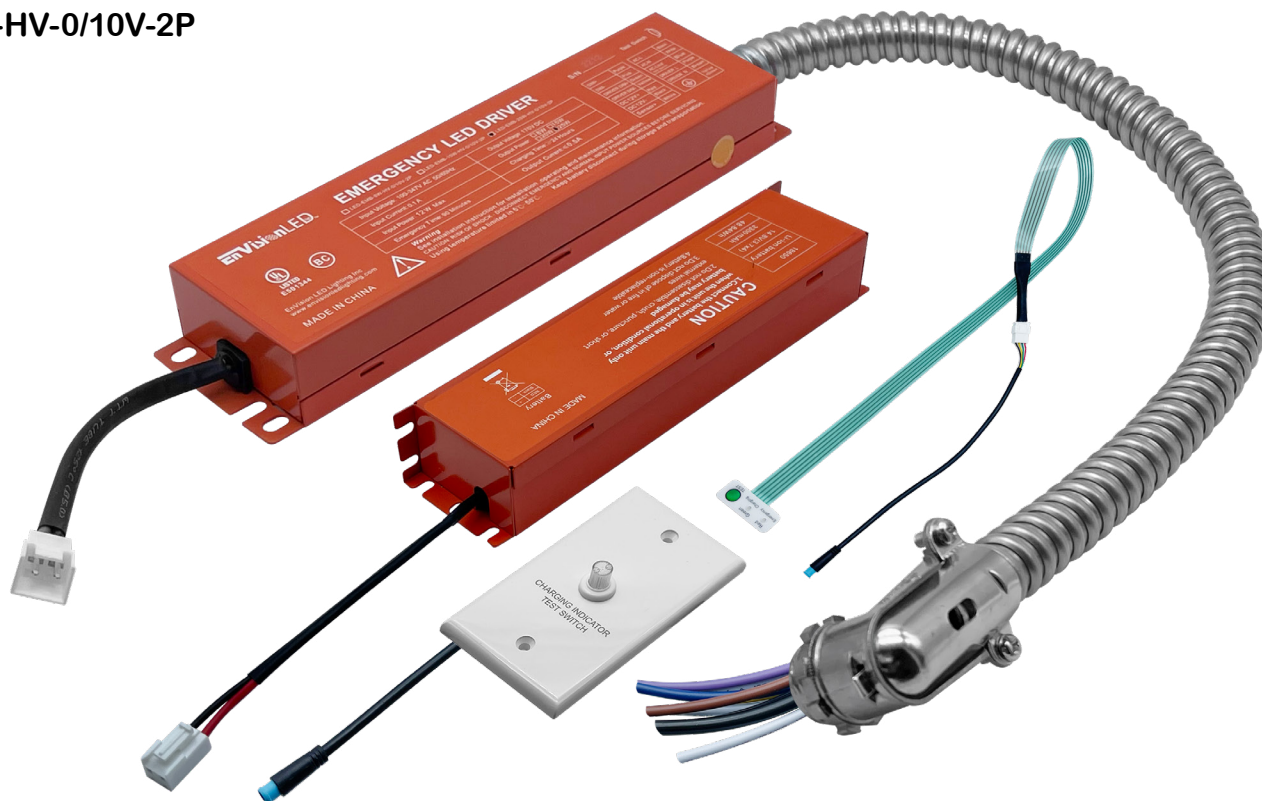




# Battery Backup (Split Design)

25W-HV-0/10V-2P



## SPECIFICATIONS

<b>INPUT VOLTAGE</b>	100-347VAC, 50/60Hz
<b>INPUT CURRENT</b>	0.1A Max
<b>INPUT POWER</b>	12W Max
<b>OUTPUT VOLTAGE</b>	170V DC
<b>OUTPUT POWER</b>	25W
<b>AMBIENT TEMP</b>	41° F - 122° F
<b>EMERGENCY TIME</b>	1.5 Hrs.

## FEATURES

- Universal input voltage (100-277v AC, 50/60Hz)
- Constant output power (auto-sensing output)
- UL Listed for field installation
- Battery protection: over/under voltage, over-temp., short circuit
- Backup runtime: 90 minutes
- For use with external driver w/ internal housing space: wall packs, canopy, etc.

## CAUTION

1. The emergency LED driver must be connected to 0/1-10V dimming wires (DIM+, DIM-) of the fixture if the LED luminaire power exceeds the emergency LED driver power.
2. In emergency mode, double-click this test switch to turn off the current emergency state.

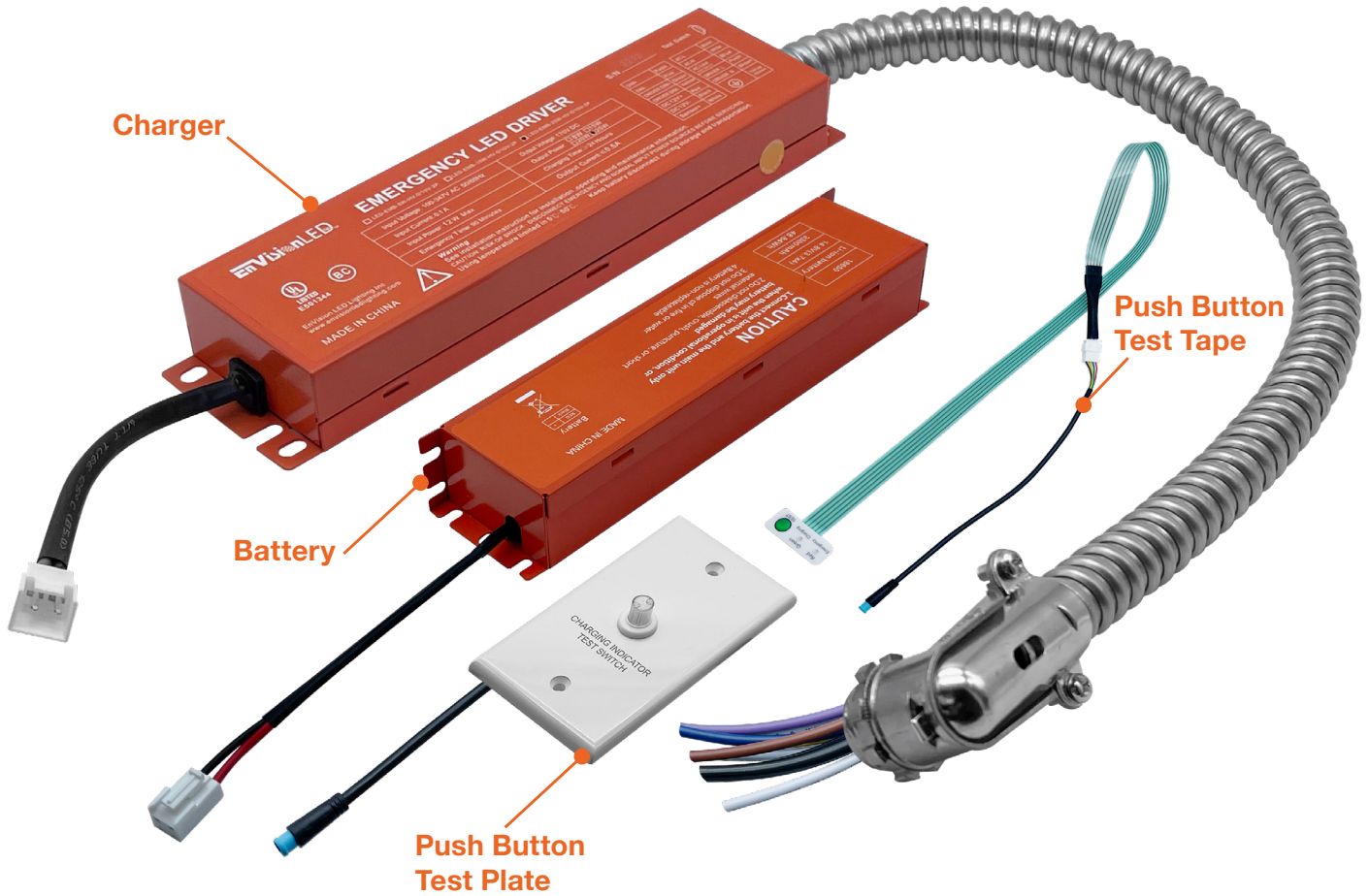
Quick Ship Product

**LED-EMB-25W-HV-0/10V-2P**

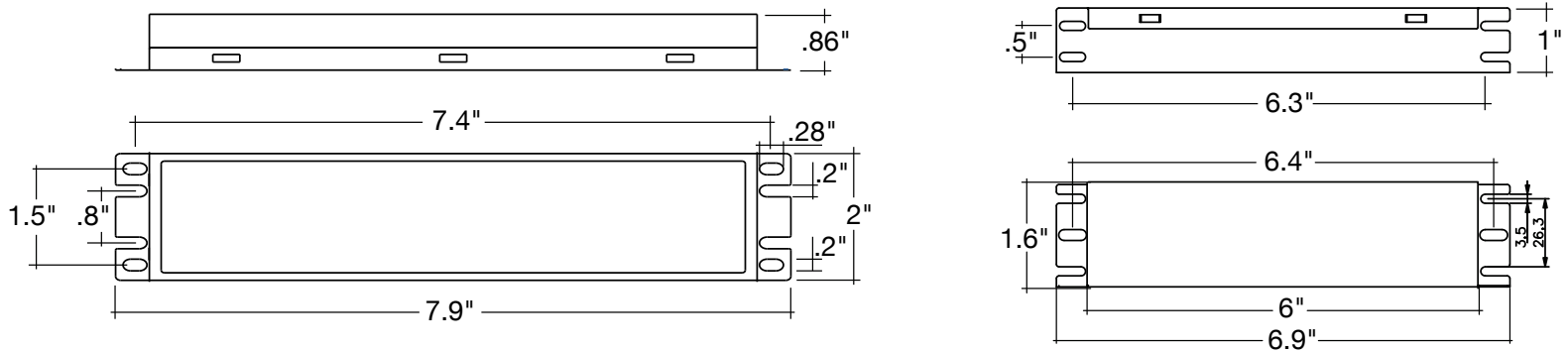
25W • Input: 120/277V • Output: 120V

Specs and model numbers are subject to change with or without notice.

## FEATURES



## DIMENSIONS



*Specs and model numbers are subject to change with or without notice.*



## PLEASE READ AND FOLLOW ALL SAFETY INSTRUCTIONS

- Risk of fire or electric shock. Luminaires wiring and electrical parts may be damaged when drilling for installation of LED emergency back-up. Check for enclosed wiring and components.
- Risk of fire or electric shock. This LED emergency backup installation requires knowledge of luminaires electrical systems. If not qualified, do not attempt installation. Contact a qualified electrician.
- Before installing, make certain the AC power to the fixture is OFF.
- The electrical rating of this product is 100-347V. Installer must confirm that there is 100-347Vac the fixture before installation.
- To prevent electrical shock, only mate unit connector after installation is complete and before the AC power to the fixture is back on.
- This LED emergency backup unit is requires an un-switched AC power source of 100-347V, 50/60Hz
- Do not let power supply cords touch hot surfaces.
- Do not mount near gas or electrical heaters.

## WIRING DIAGRAM

### For 0-10V dimmable LED driver with input power higher than emergency output power

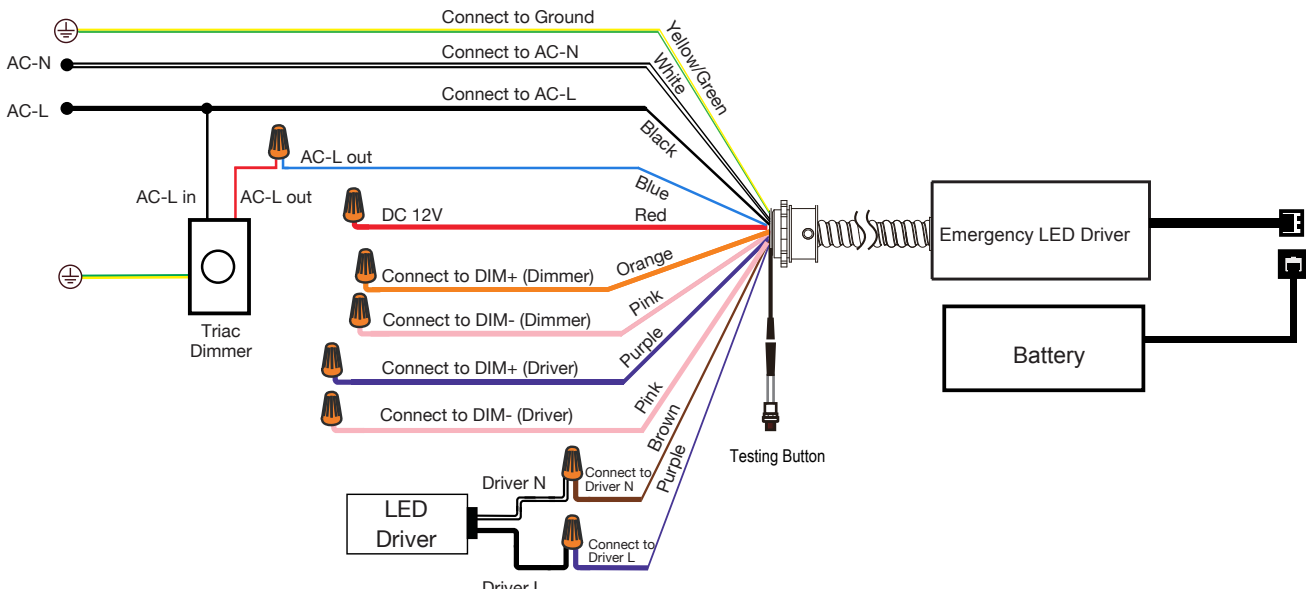
Emergency driver Dim+ (Purple), Driver Dim- (Pink) has to connect with LED driver DIM+ and DIM-

#### 1 With 0-10V Dimmer



### For Triac dimmable LED driver with input power less than 20W

#### 2 With Triac Dimmer



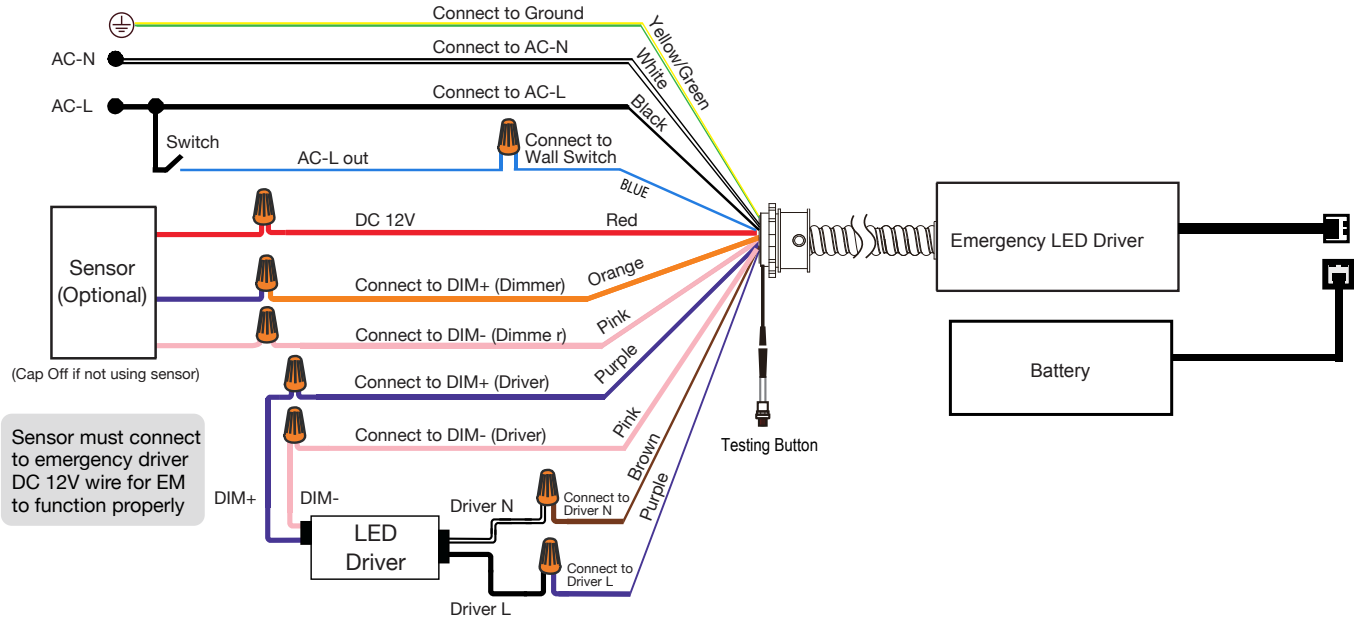
Specs and model numbers are subject to change with or without notice.

## WIRING DIAGRAM

For 0-10V dimmable LED driver with input power higher than emergency output power

Emergency driver Dim+ (Purple), Driver Dim- (Pink) has to connect with LED driver DIM+ and DIM-

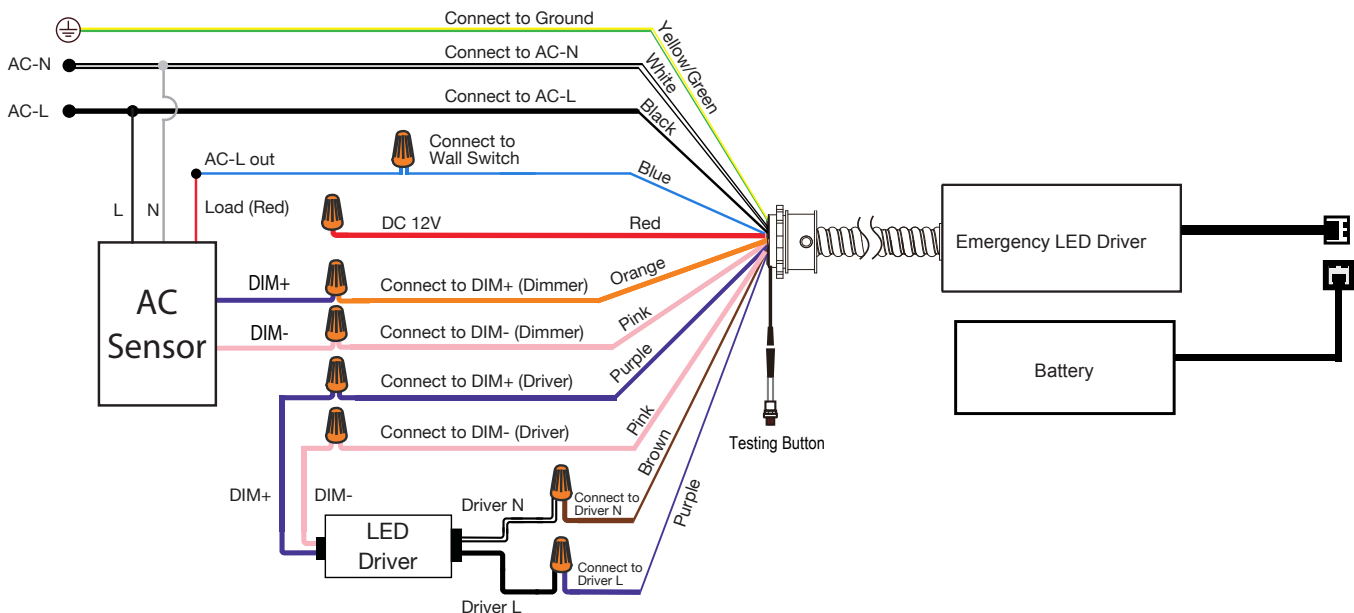
### 3 With low voltage 12VDC sensor



For 0-10V dimmable LED driver with input power higher than emergency output power

Emergency driver Dim+ (Purple), Driver Dim- (Pink) has to connect with LED driver DIM+ and DIM-

### 4 With line voltage sensor 100-347V AC





## **IMPORTANT SAFEGUARDS**

When using electrical equipment, basic safety precautions should always be followed including the following.

**PLEASE READ AND FOLLOW ALL SAFETY INSTRUCTIONS**

**IMPORTANT:** Before installing, make certain the AC power to the fixture is off to avoid electric shock.

**IMPORTANT:** An un-switched AC power source of 100VAC to 347VAC is required. This device is designed for use in fixtures listed for dry and damp locations.

**IMPORTANT:** Verify that all replacement lamp types marked on the installed luminaire are also identified as suitable for use with this emergency battery pack.

**IMPORTANT:** It is recommended to charge the battery within half a year to prevent over discharge.

**IMPORTANT:** Customers are advised to recharge emergency LED DRIVER 24 HOURS every 6 months during storage.

**CAUTION:** Make sure all electrical connections conform to the National Electrical Code and all applicable local regulations.

**CAUTION:** Do not let power supply cords touch hot surfaces.

**CAUTION:** Do not mount near gas or electric heaters.