



# Emergency Bug Eyes

## Round Models



### Detail Specifications:

- Finish: White or Black
- IP Rating: Dry Location
- Wattage: 3W
- Lumens: 140
- Operating Temperature: -40° - 104° F
- Average life (L70) of 50,000 hours

### Applications:

- Exit Doors
- Corridor Intersections
- Exit Stairways
- Exit ramps

### Product Information:

- Built-in test switch and charge indicator light
- Overcharge and over-discharge protection
- Injection-molded thermoplastic housing, PC cover
- Backup Time: >90 minutes
- Recharge time: 24 hours

### Driver Options:

- Dual Voltage 120/277V
- PF >0.9, 50/60Hz
- Nickel Cadmium Battery 3.6V
- This fixture is non-dimmable

### Mounting & Installation:

- Wall and ceiling mounted
- Universal J-box mounting pattern

### Certifications:

- UL Listed for USA and CA (UL94V-0 Flame Rating)
- Metts UL924, NDPA 101
- Approved for CA T24
- 3 Year Limited Warranty
- FCC CFR 47, GCC Part 15, Subpart B:2017

#### Series

**LED-EM-DHC-WH**

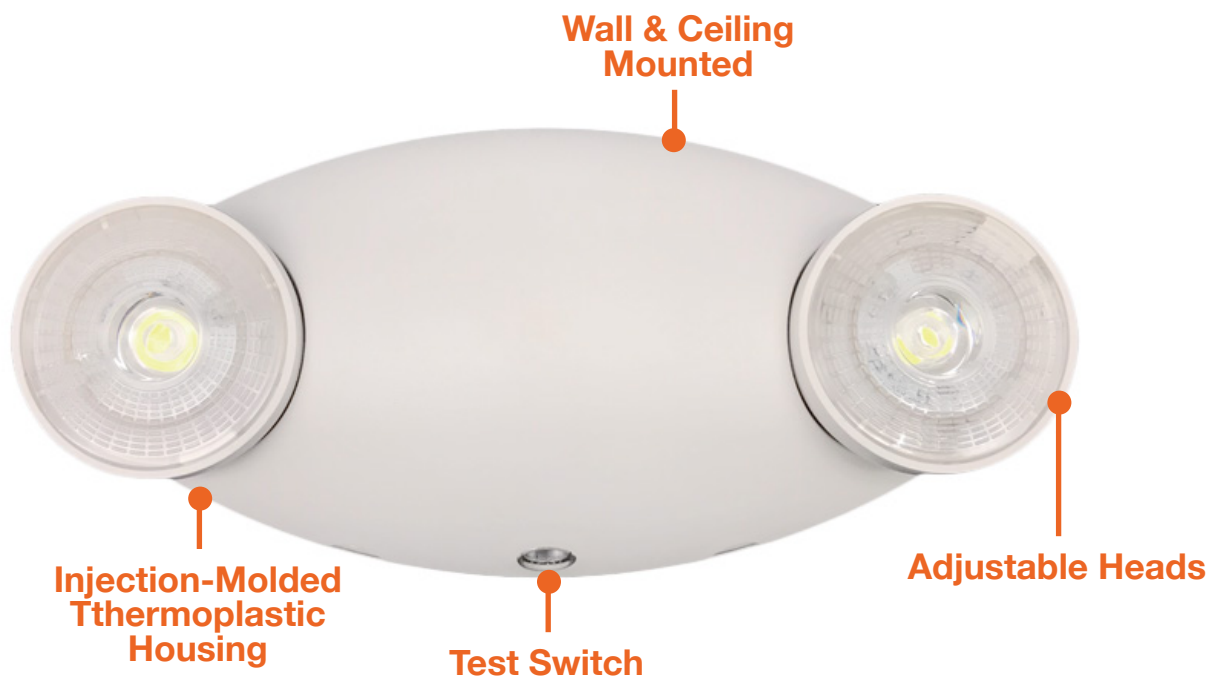
White Finish

**LED-EM-DHC-BL**

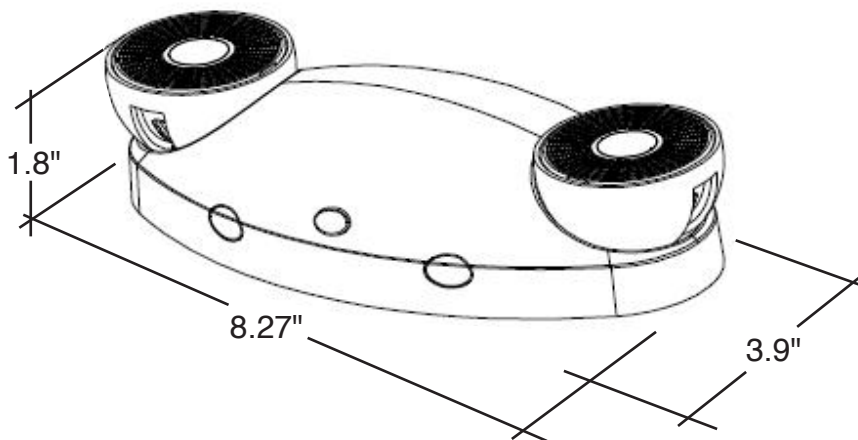
Black Finish

*Specs and model numbers are subject to change with or without notice.*

### FEATURES



### DIMENSIONS



*Specs and model numbers are subject to change with or without notice.*