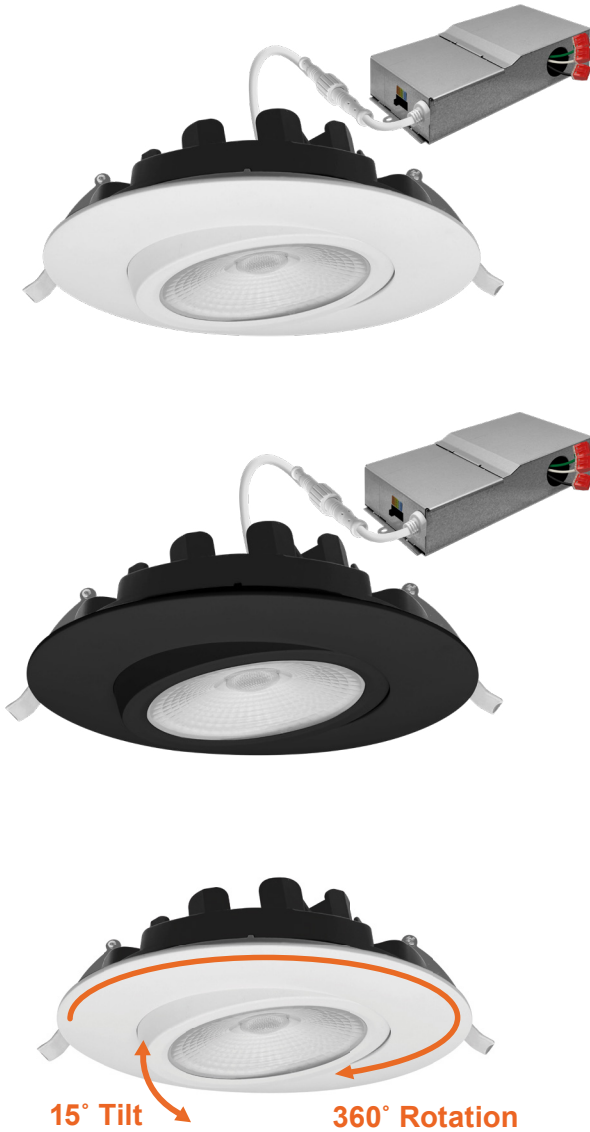


SnapTrim-Line: 6" Gimbal Downlights

Canless Series



Detail Specifications:

- Finish: White, Black
- IP54 Wet Location Rated
- Beam Angle: 38° standard, other options available
- Chip: COB Chip, R9 >50, CRI >90
- 3 Step MacAdam Ellipses
- Operating Temperature: -40° - 114° F
- Lens: Clear, non-yellowing
- Average life (L70) of 50,000 hours

Applications:

- General Recessed Lighting
- Residential & Multifamily
- Office and Meeting Rooms
- Education, Healthcare, Retail, Hospitality

Product Information:

- 5-CCT Selectable: 27/30/35/40/50K
- Metal housing and trim for better heat dissipation
- Optional emergency backup available: delivers full lumens in EM mode up to 25W
- SnapTrim Canless: Spring clips with remote j-box eliminates can

Driver Options:

- 120V Triac Dimmable
- Built in 2.5Kv Surge Protector
- Flicker Free

Mounting & Installation:

- Cut Out Dimension: 6-1/4"
- Optional new construction plate available
- This fixture does not fit into a recessed can
- No housing needed in remodel applications, tension clips mount into 1/2" to 1.5" thick ceiling
- Can be removed from below the ceiling for service or replacement
- Pre-wired junction box with circuit wiring built in (3 in / 3 out)

Certifications:

- ETL Listed for USA and CA
- Energy Star Certified
- CA Title 24 JA8-2022 CEC Listed
- 5 Year Limited Warranty
- FCC CFR 47, GCC Part 15, Subpart B:2017
- IC Rated and ASTM-E283 Air-Tight
- Complies with UL 263, ASTM E119, CAN ULC S101

Series	Beam Angle	Emergency
LED-DLJBX-ADJ-6-18W-5CCT-WH-R 18W • 1,500LM • White Round Trim	(Blank) 38° Degree	(Blank) No Emergency Backup
LED-DLJBX-ADJ-6-18W-5CCT-BLK-R 18W • 1,500LM • Black Round Trim	24D 24° Degree 60D 60° Degree	EMB Emergency Backup

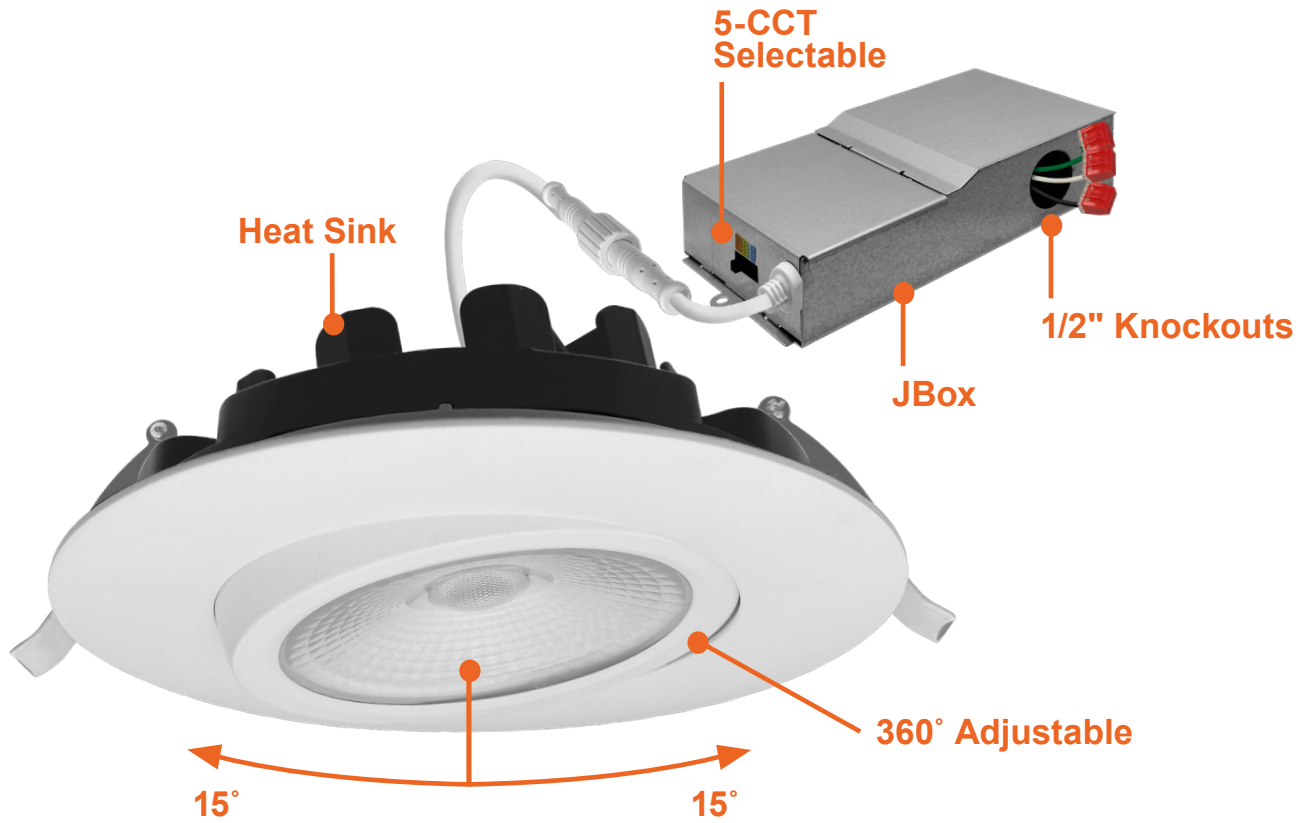
Optional Accessories (Order Separately)

New Construction Plates	Extension Cables	Emergency Backup 1 (field install)	Optics
CUNV-NC-ICAT-7H Universal Plate with Hanging Bars	JBX-EXT-6'-2PIN 6' Extension	LED-EMB-25W-HV-0/10V-2P Up to 24W fixtures	OPTIC-75X24-24D 24 Degree Field Install Lens
CUNV-JBX-RI-XL Universal Rough In Plate Extra Long	JBX-EXT-10'-2PIN 10' Extension		OPTIC-75X24-60D 60 Degree Field Install Lens
	JBX-EXT-12'-2PIN 12' Extension		

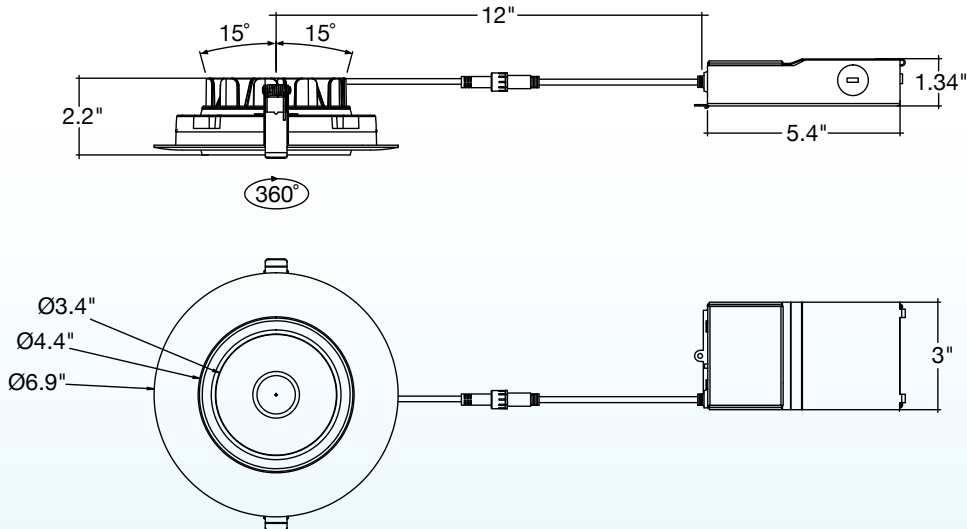
1. Field installable. Lasts 90 minutes

Specs and model numbers are subject to change with or without notice.

FEATURES

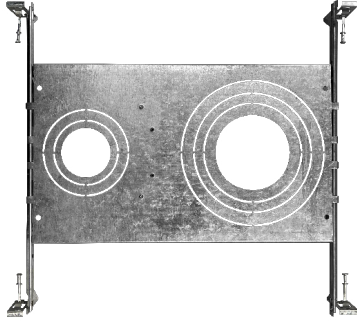


DIMENSIONS

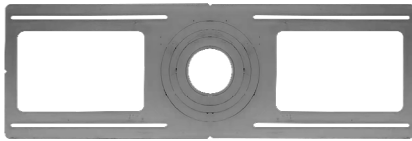


Specs and model numbers are subject to change with or without notice.

ACCESSORIES



CUNV-NC-ICAT-7H
Universal Pre-Mounting Plate
13 7/8" x 15 1/8"



CUNV-JBX-RI-XL
7" x 26"



JBX-EXT
6' / 10' / 12' Extension Cable



LED-EMB-25W-HV-0/10V-2P



OPTIC-75X24-24D
OPTIC-75X24-60D

Model	Voltage	Watts	Lumens	Color	CRI
LED-DLJBX-ADJ-4-12W-5CCT-WH-R	120V	12w	750	27/30/35/40/50K	>90
LED-DLJBX-ADJ-4-12W-5CCT-BLK-R	120V	12w	750	27/30/35/40/50K	>90
LED-DLJBX-ADJ-4-12W-5CCT-BN-R	120V	12w	750	27/30/35/40/50K	>90
LED-DLJBX-ADJ-4-12W-3WD-WH-R	120V	12w	750	30-->18k	>90
LED-DLJBX-ADJ-4-18W-5CCT-BLK-R	120V	18w	1,500	27/30/35/40/50K	>90
LED-DLJBX-ADJ-4-18W-5CCT-WH-R	120V	18w	1,500	27/30/35/40/50K	>90

CONSTRUCTION PLATES

Accessory	Description
CUNV-NC-ICAT-7H	1" 2"3" 3.5" 4" 5" 6" Universal Pre-Mounting New Construction Plate
CUNV-JBX-RI-XL	Universal tough in plate (Extra Long)

EXTENSION CABLE

Accessory	Description
JBX-EXT-6'-2PIN	6" Extension Cable
JBX-EXT-10'-2PIN	10" Extension Cable
JBX-EXT-12'-2PIN	12" Extension Cable

EMERGENCY BACKUP

Accessory	Description
LED-EMB-25W-HV-0/10V-2P	Up to 24W fixtures

OPTICS

Accessory	Description
OPTIC-75X24-24D	24 Degree Field Install Lens
OPTIC-75X24-60D	60 Degree Field Install Lens

TESTED COMPATIBLE DIMMERS

Other dimmers may be compatible but have not been tested. Please contact us for more information.

TRIAC/ELV Dimmers

Lutron	Leviton	Legrand	Cooper
AYCL-153P	6633	ADTP703TU	9540
DV-600PR	6674	H703PTW	DAL06P
DVCL-153P	6602		
MACL-153MH	IPL06		
MRF2-6CL			
D-600P			
NTELV-300P			
S-600P			
CT-600P			
CTCL-153P			
TG-600P			
TCCL-153P			

Specs and model numbers are subject to change with or without notice.