

Square Slim Canopy Light

150W Version

Canopy Lights



Project: _____ Part #: _____
Type: _____

Applications:

- Parking Lot Lighting
- Gas Station Lighting
- Commercial Lighting
- Canopy Replacement

Product Information:

- Aluminum housing for heat dissipation
- High intensity: Ready to replace existing 400W fixture
- Suitable for retrofit with existing fixtures
- 100-277VAC
- PF >0.9 / Input: .85A/ Output: 36-66V DC
- 100° Beam Angle
- Operating Temperature: -40° F ~ 140° F
- Storing Temperature: -40° F ~ 185° F

Why the EnVision Parking Garage Light:

- Optic lens provides forward and reverse throw light
- Easy installation with universal mounting plate
- 5 year limited warranty.
- Instant start, NO flickering, NO humming.
- IP65 Outdoor use

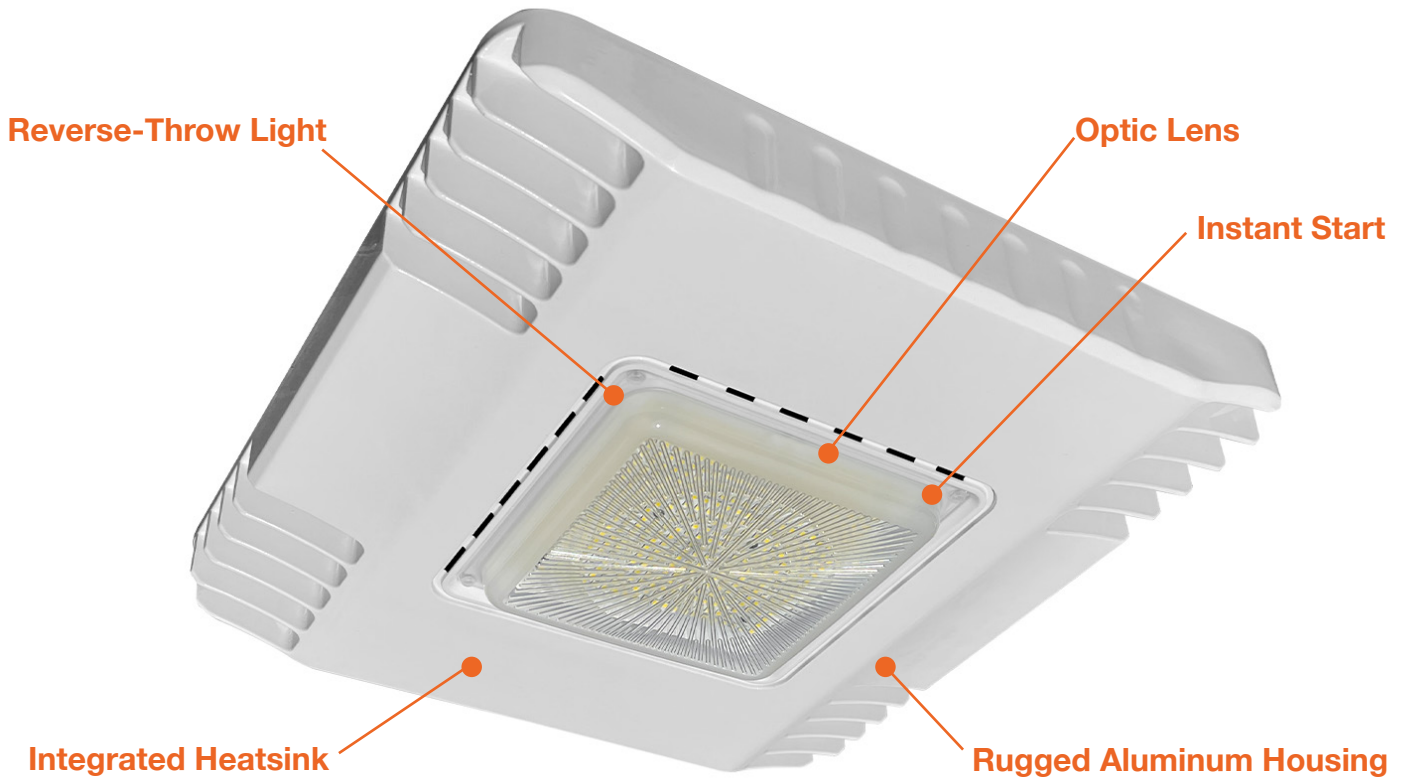
Series

LED-CP2-WH-150W-50K

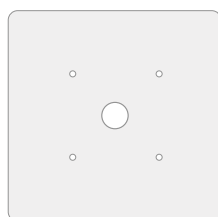
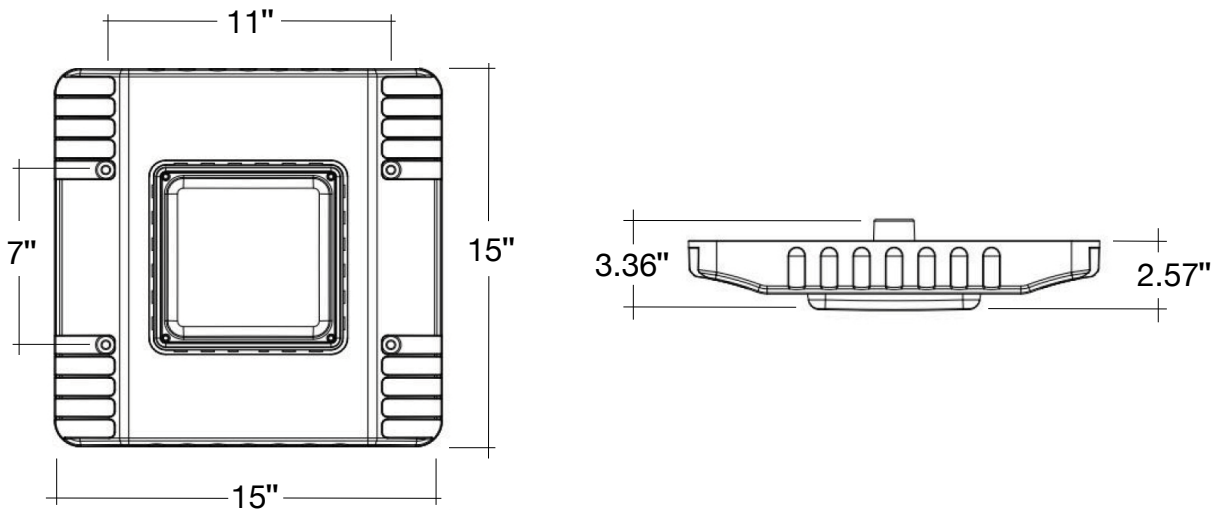
150W • 18,000Lm

Specs and model numbers are subject to change with or without notice. Customization of product is available.

FEATURES



DIMENSIONS



Accessory Model	Description
24x24-GF-CP2	24x24 Goof Ring

Specs and model numbers are subject to change with or without notice. Customization of product is available.