



C-Line: 2x2 & 2x4 Center Basket Troffers

5-CCT + 5-Power



2X2



2X4

LED-CBT-2X2-5P40-5CCT

WATT	LUMENS
20	2,500
25	3,125
30	3,750
35	4,375
40	5,000

LED-CBT-2X4-5P50-5CCT

WATT	LUMENS
30	3,750
35	4,375
40	5,000
45	5,625
50	6,250

Detail Specification:

- Finish: White
- IP Rating: Damp Location (IP44)
- Beam Angle: 110°
- Chip: SMD 2835, R9 >50, CRI >80
- Optional CRI >90 chip available
- Operating Temperature: -40° - 114° F
- Lens: Frosted, non-yellowing
- Average life (L70) of 50,000 hours

Applications:

- General Indoor Lighting
- Fluorescent Troffer Replacement
- Utility & Storage
- Garage Structures
- Office and Meeting Rooms
- Education, Healthcare, Retail, Hospitality
- Commercial and Industrial

Product Information:

- Aluminum housing finished with corrosion free power coat
- Even light distribution
- Lightweight for easier installation
- Select-n-Switch Technology: 5-CCT + 5-Power Selectable

Driver Options:

- UNV: 120-277V 0-10V Dimmable
- Optional 347-480V step down transformer available
- THD: <15% (+/-5% tolerance), PF >0.9, 50/60Hz
- Isolated Driver
- Flicker Free

Mounting & Installation:

- Replace existing fluorescent 2x2 & 2x4 fixtures
- See installation guide for full details

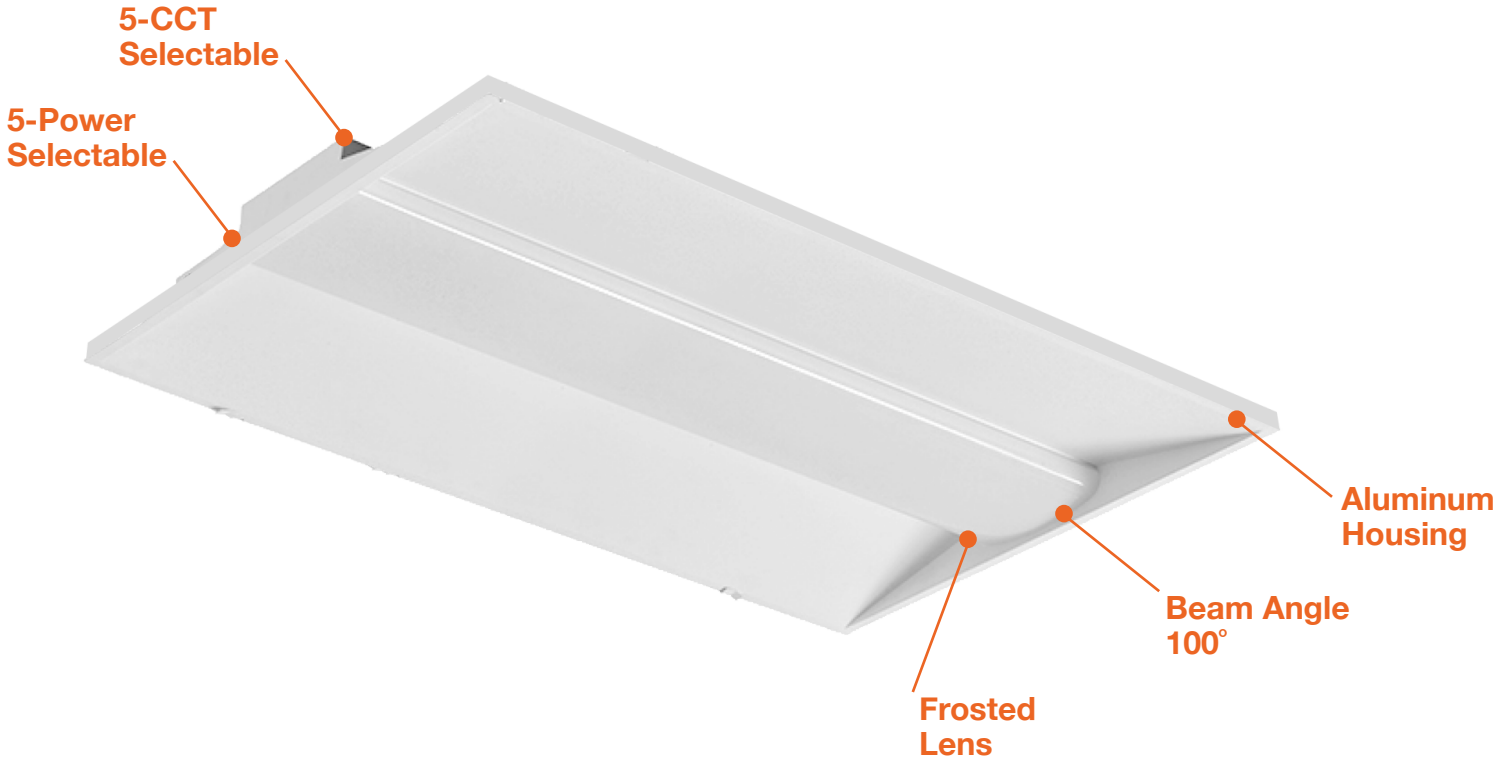
Certifications:

- UL Listed for USA and CA
- DLC Premium Listed
- Approved for CA T24
- 5 Year Limited Warranty
- FCC CFR 47, GCC Part 15, Subpart B:2017

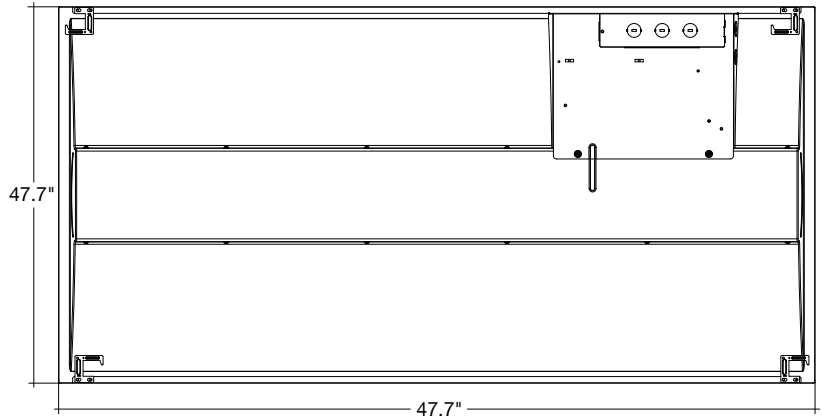
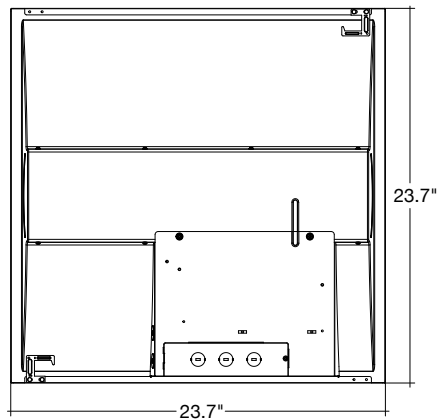
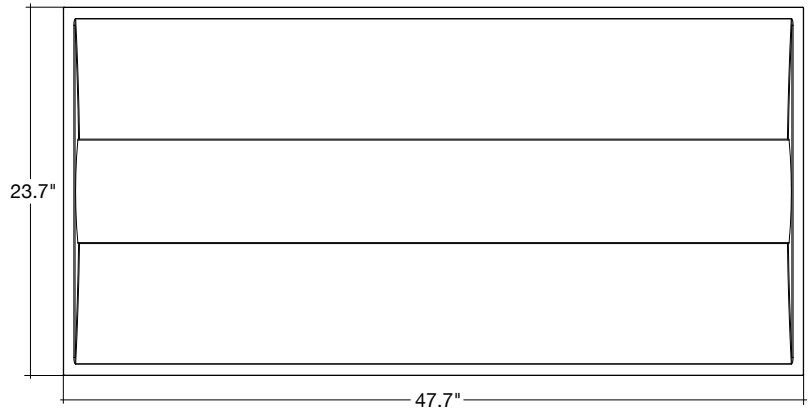
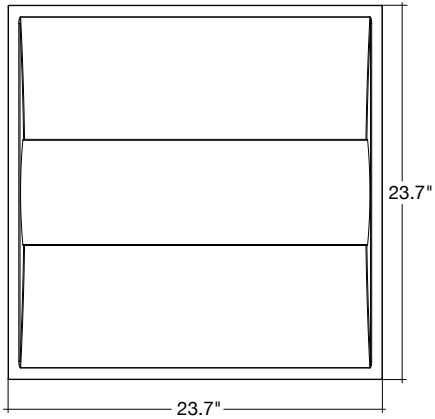
Item	Sensor	Emergency	Driver	CRI	Whip	Optional Accessories (Order Separately)
LED-CBT-2X2-5P40-5CCT 20/25/30/35/40W	(Blank) No Sensor	(Blank) No Emergency	(Blank) 120-277	(Blank) >80	(Blank) No Whip	BMS Controller
LED-CBT-2X4-5P50-5CCT 30/35/40/45/50W	BMS Bi-Level Motion + Daylight Sensor (S-BMS-INT-1) BMS-BT Bi-Level Motion + Daylight Sensor + Bluetooth App Controlled (S-BMS-INT-1-BT)	EMB Emergency Backup	HV 347-480V Stepdown	-90CRI	-6FLX 6' Flex	S-LINE-DIM-BT Wall Dimmer S-LINE-R Remote for S-Line Sensor

1. Custom height options available. Contact us.

Specs and model numbers are subject to change with or without notice. Customization of product is available.



DIMENSIONS



2X2

2X4

ACCESSORIES



S-LINE-R



S-LINE-DIM-BT

TROFFERS

Fixture Model	Voltage	Watts	Lumens	Color	CRI
LED-CBT-2X2-5P40-5CCT	120-277V	40/35/30/25/20	5000/4375/3750/3125/2500	27/30/35/40/50K	>80
LED-CBT-2X4-5P50-5CCT	120-277V	50/45/40/35/30	6250/5625/5000/4375/3750	27/30/35/40/50K	>80

BMS CONTROLLER

Model	Item Description	Voltage	Watts
S-LINE-R	Remote for S-LINE Series Sensors	12V	<1w
S-LINE-DIM-BT	Dimmer for S-LINE Series Bluetooth Sensors		<1w