

# EMT600SS-E

## Magnetic Non Dimmable MT

Outdoor Stainless Steel Enclosure

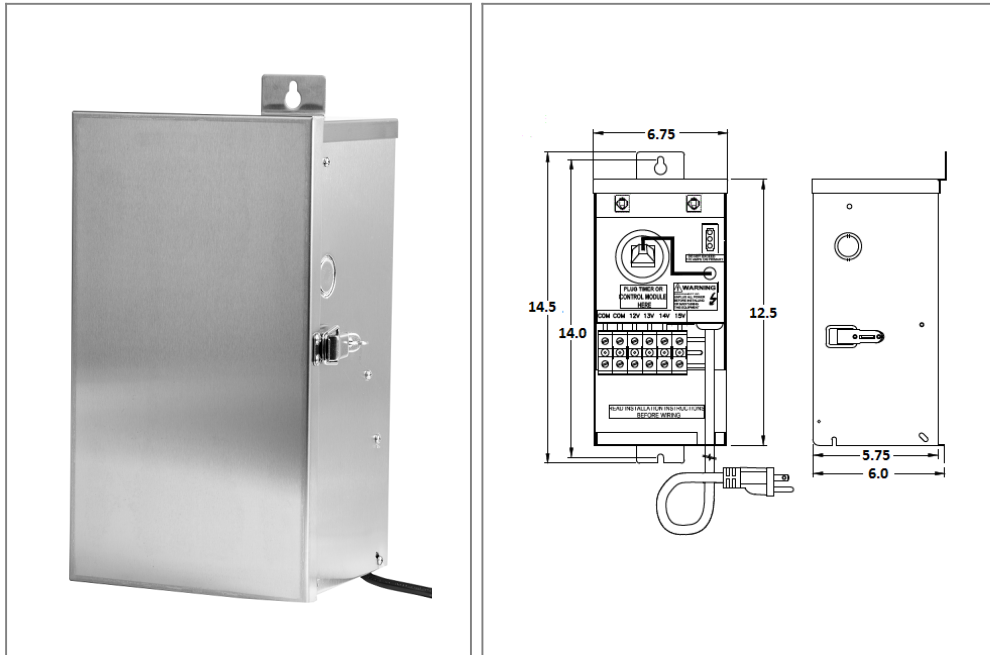
Multi Tap: **12-15VAC**

Total Wattage: **600W max**

Input Voltage: **120V 60Hz**



Conforms to UL STD. 1838  
Certified to CSA  
STD. C22.2 No 250.0, 250.7



### Transformer

Non dimmable if use timer or/and photocell

Temperature class B(130°C)

Input leads: Line cord

Output leads: Terminal Block

Magnetic manually reset secondary breaker 25A per circuit

Timer and photocell build in options

### Housing

The actual transformer 600W is encapsulated in the enclosure

The enclosure is Stainless Steel, NEMA 3R rated

Wiring compartment has 5 knockouts sizes for 3/8 inch screw cable connectors

Enclosure Temperature does not exceed 75°C at 45°C ambient and fully loaded

Dimensions (inch): H = 14.5, W = 6.75, D = 6

Weight (LBs): 21.9

### Electrical Parameters

Input Voltage: **120V 60Hz**

Max. input current at full load: **5A**

Output voltage without load: **12/ 13/ 14/ 15VAC**

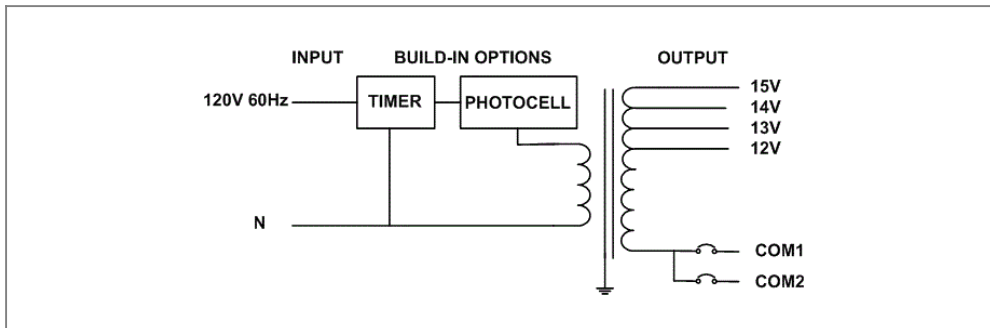
Output voltage fully loaded: **11.5/ 12.5/ 13.5/ 14.5VAC**

Max. Total Wattage: **600W** Max. per circuit: **300W**

Max. Output Current: **25/ 23/ 21/ 20A** per circuit.

Efficiency: **93%**

Load regulation: **4%**



Mailing Address: 6925 Eton Ave. Canoga Park, CA 91303 Tech support: Arik Nirenberg phone: 818-904-3309 cellphone: 818-269-4091

Fax: 818 904 3327 info@emcod.com techsupport@emcod.com