

3" New Construction 2-Hour Fire Rated IC Airtight Housing



3" fire rated new construction LED housing. Compatible with MR16 LED lamps with quick connect base or 3" LED inserts. 2-hour fire rated.

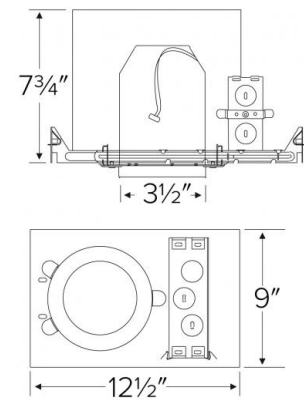
Features

- IC Airtight for direct contact with insulation.
- UL Listed for 2-Hour Fire Resistance to meet and exceed strict fire safety codes.
- Integrated Non-combustible insulation acts as a sound barrier minimizing sound transfer between floors.
- Meets Title 24 Requirements. ENERGY STAR® Certified.
- STC/IIC Sound Rated
- Trims and inserts sold separately.

Specifications

| | |
|-----------------------------|------|
| Wattage | 14W |
| Voltage | 120V |
| Damp Location Listed | |

Dimensions



Technical Details

Construction:

- Double wall IC rated for direct contact with insulation. For use in IC and non-IC conditions.
- Housing adjusts in frame to accommodate up to 1 1/2" ceiling thickness.
- Airtight housing with gasket to restrict airflow in accordance with ASTM E-283 air-tight requirements.

Installation:

- Designed for ceiling plenums where 2x8 joists or taller are used.
- High strength hanger bars can easily be nailed to joists.
- Suitable for T-grid and drop ceiling applications.
- See installation sheet for detailed information.

Junction Box: Positioned to accommodate straight conduit runs. Two 3/4" knockouts, Seven 1/2" trade size conduit knockouts, One 3/8" knockout. Four Pry-out knockout slots for easy romex installation.

Hanger Bars: Pre Installed hanger bars with True Nail easy installation in regular lumber, engineered lumber, and Laminated Beams. Integral T-bar slots for easy installation in T-Bars. Spans up 24" and can be repositioned 90°. Score lines allow for tool-free hanger bar size reduction. Integral leveling flange allows for single-person installation while easily aligning the housings with the joists.

Electrical:

- Driver is rated for 120V and 277V input (120/277V).
- High Efficiency driver with a power factor > 0.9.

Emergency Battery Pack: Optional 90 minute battery pack available with test indicator switch. Note that double wall housings require Access From Above Ceiling for Battery Maintenance.

Listings: UL Listed for Damp Location and for Wet Location with select trims. UL Listed for Direct Contact with Insulation and Combustible Material. UL Listed for Feed Through. Sound rated.

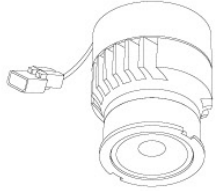
Product Numbers

| Item | Watts | Voltage |
|-------------------|-------|---------|
| EL39FICA | 14W | 120V |
| EL39FICA-7 | 14W | 120V |

Compatible Products

For use with Dedicated 3" IC LED Housings

Koto™ LED Module



Koto™ LED Module
ELK07, ELK09, & ELK11

| PRODUCT NUMBER BUILDER | | | | | |
|------------------------|---------|---------------------------------------|---------------------------------------|--|--|
| Koto™ LED Module | Lumens | Color Temperature | Beam Angle | | |
| ELK | | | | | |
| 07 | 750 lm | 27 2700K | (blank) 38° lens (Standard) | | |
| 09 | 950 lm | 30 3000K | -S 18° lens | | |
| 11 | 1150 lm | 35 3500K | -N 25° lens | | |
| | | 40 4000K | -W 60° lens | | |
| | | SD Sunset Dimming (For ELK09 & ELK11) | -FC 18° - 50° Adjustable (ELK07 Only) | | |

ACCESSORIES

Lens

EP731C 18° Lens
EP732C 25° Lens
EP733C 38° Lens
EP734C 60° Lens
*EP732C, EP733C, EP734C Included

Snoot

L50W White
L50B Black

Secondary Optics

L45 Hex Louver
L46 Linear Lens
L47 Spread Louver
L49 Frosted Lens
L51 Color Shifter

Koto™ LED Module with 5-CCT Switch

Product Number

| | |
|-----------------|---------|
| ELK08CT5 | 825 lm |
| ELK10CT5 | 1000 lm |

3" Pex™ Twist-On Trims

Deep Reflector
ELK3618
 Finishes:
 (W, BB, BZ, B, C, H)

Adjustable Gimbal
ELK3629
 Finishes:
 (W, BB, BZ, B, C, H)

Adjustable Pinhole
ELK3627
 Finishes:
 (B, BB, BZ)

Adjustable Baffle
ELK3693
 Finishes:
 (W)

Sq. Deep Reflector
ELK3318
 Finishes:
 (W, BB, BZ, B, C, H)

Sq. Adjustable Gimbal
ELK3329
 Finishes:
 (W, BB, BZ, B, C, H)

Sq. Adjustable Baffle
ELK3393
 Finishes:
 (W)

Sq. Adjustable Pinhole
ELK3327
 Finishes:
 (B, BB, BZ)

Square Reflector
ELK3341
 Finishes:
 (W, B, BB, BZ)

*Finishes: **W** - All White, **BB** - All Black, **BZ** - All Bronze, **B** - Black Reflector w/White Ring, **C** - Chrome Reflector w/White Ring, **H** - Haze Reflector w/White Ring

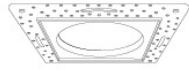
Compatible Products

For use with Dedicated 3" IC LED Housings

3" Flush Mount Trim Adaptors • For use with ELK36 & ELK33 Trims



Round Flush Mount
EL3FMR



Square Flush Mount
EL3FMS

3" LED Light Engines



Round Baffle

| CAT NO. | SPECIFICATIONS |
|---------------|----------------------------|
| EL311CT3W, BZ | 9W, 700 lm, 2700K - 3500K |
| EL311CT5W | 10W, 700 lm, 2700K - 5000K |



Round Reflector

| CAT NO. | SPECIFICATIONS |
|---------------|----------------------------|
| EL312CT3W, BZ | 9W, 700 lm, 2700K - 3500K |
| EL312CT5W | 10W, 710 lm, 2700K - 5000K |



Round Gimbal

| CAT NO. | SPECIFICATIONS |
|-----------|----------------------------|
| EL313CT3W | 9W, 700 lm, 2700K - 3500K |
| EL313CT5W | 10W, 700 lm, 2700K - 5000K |



Square Baffle

| CAT NO. | SPECIFICATIONS |
|-----------|----------------------------|
| EL331CT3W | 12W, 700 lm, 2700K - 3500K |



Square Reflector

| CAT NO. | SPECIFICATIONS |
|---------------|---------------------------|
| EL33230BZ | 9W, 640 lm, 3000K |
| EL332CT3W, BZ | 9W, 700 lm, 2700K - 3500K |



Pull Down Adjustable

| CAT NO. | SPECIFICATIONS |
|--------------------|----------------------|
| EL39727W, BZ, N | 10.8W, 800 lm, 2700K |
| EL39730W, B, BZ, N | 10.8W, 800 lm, 3000K |

*Finishes: **W** - All White, **B** - All Black, **BZ** - All Bronze, **N** - All Nickel