



SEWL Series

NEMA 4X C1D2 DIE-CAST EXIT SIGN

DATE: _____ LOCATION: _____

TYPE: _____ PROJECT: _____

CATALOG #: _____



FEATURES

- Rugged, .500" thick, heavy duty die-cast aluminum construction
- Clear polycarbonate shield provides exit legend protection
- Vandal resistant stainless steel hardware (Optional Accessory)
- AC On Indicator Light
- Black or white finish
- Red or green letter models
- Single or double face configurations
- Field programmable break-out chevron directional arrows
- Top and side conduit entry provisions
- Universal 120/277VAC operation
- Optional Class 1, Division 2 Certified



RELATED PRODUCTS

- DYNC - NEMA 4X Industrial Combination Exit/LED Emergency Light
- DYN Series - NEMA 4X/C1D2/C2D1 Industrial LED Emergency Light



SPECIFICATIONS

APPLICATION

- The SEWL Series is a die-cast aluminum LED exit sign, certified for NEMA 4X/IP66 and UL Sanitation application ((including NSF standards)
- Available for AC only or emergency with battery
- Unit includes Spectron self-test/self-diagnostic circuitry supplied with emergency models
- An optional battery heater (emergency models) allows application at temperatures from -30°C to 50°C(-22° to 122°F)
- Vandal-resistant hardware kit available. Applications include schools, gymnasiums, correctional facilities, apartment complexes, factories, warehouses, parking garages and other public areas
- Also available with option C1D2 hazardous location certification for use in Class I Division 2, Groups A, B, C and D; T-Code - T4A; Type 4X

CONSTRUCTION

- Housing and matching canopy constructed of high-strength die-cast aluminum with silicone gasketing
- Signs have a 0.188" thick vandal-resistant polycarbonate face-plate and stainless steel, phillips head screws
- White or black powder coat finish
- Single or double face with red or green letters, and knock-out directional chevrons
- Exit letters are 6" high with 3/4" stroke

INSTALLATION

- The SEWL exit sign mounts to standard 3-1/2", 4" octagon, or 4" square electrical boxes
- A 1/2-14 NPT threaded conduit opening is provided at the top and side of the housing and sealed with closure plugs
- For NEMA 4X compliant installation, canopy must be used for end, ceiling or wall mount to ensure a water-tight seal

ILLUMINATION

- Exit face illumination is provided by red or green high-output, long life LEDs
- Exit LEDs have a life-cycle of 100,000 hours

COMPLIANCES

- Listed and Labeled to UL 924 Wet Location and UL Type 4X
- Tested and Rated for IP66 Ingress Protection
- UL Sanitation Certified (including NSF standards)
- Life Safety Code (NFPA 101)
- National Electrical Code (NFPA70)
- OSHA illumination standards
- CEC T20 Compliant
- C1D2 optioned products:
 - Class I, Division 2 Groups A, B, C and D
 - T-Code - T4A
 - Type 4X

WARRANTY

- 5 year warranty

KEY DATA	
Power Factor, Average	.8 (lagging)
Wattage Range	2.1-3.8W
Battery Type	Sealed Nickel Cadmium
Reported Life (Hours)	60,000
Input Voltage Range	120/277VAC, 60 Hz



SEWL Series

NEMA 4X C1D2 DIE-CAST EXIT SIGN

DATE: _____ LOCATION: _____

TYPE: _____ PROJECT: _____

CATALOG #: _____

ORDERING GUIDE

Example: SEWLSRWE

CATALOG #

SEWL					Options		Accessories (Order Separately)	
Model	Faces	Letter Color	Finish	Operation				
SEWL NEMA 4X Cast Aluminum Exit Sign	S Single D Double* <small>*Not for use with wall mounted models</small>	R Red G Green	W White B Black	Blank AC Only E Emergency	HTR Internal Heater ¹ C1D2 Hazardous Location ^{2,3}	<input type="checkbox"/> 93102595 Vandal Resistant Screw Kit		

- Notes:
- For use with emergency models only
 - Not available with Heater Option
 - C1D2 Option only available with SEWLSRW-C1D2, SEWLSRWE-C1D2, SEWLSGW-C1D2, SEWLSGWE-C1D2, SEWLSRB-C1D2, SEWLSRBE-C1D2, SEWLDRW-C1D2, SEWLDRWE-C1D2, SEWLDRB-C1D2, SEWLDRBE-C1D2

ELECTRONICS

- Dual-voltage input of 120/277VAC with pre-stripped AC pig-tail leads
- Emergency models supplied with Maintenance-free sealed nickel cadmium battery
- Fully automatic environmentally coated charger
- Low voltage battery disconnect
- AC Lockout provision
- Brownout protection
- 15 minute time delay retransfer circuit

SPECTRON® SELF-TESTING/SELF-DIAGNOSTIC CIRCUITRY (STANDARD ON ALL EMERGENCY MODELS):

- Automatic 60-second test every 28 days
- Alternating 30-minute or 60 minute test every six months
- Manual 90-minute (yearly) provision
- Meets Life Safety Code (NFPA 101) requirements

OPERATING TEMPERATURE RANGE:

- AC and -HTR models: -30°C to 50°C (-22°F to 122°F)
- For C1D2 Option Models: C1D2 Groups A, B, C, D, T-Code - T4A; Type 4X: Ambient Temp 0° C to +50° C
- All other models: 0°C to 50°C (32°F to 122°F)

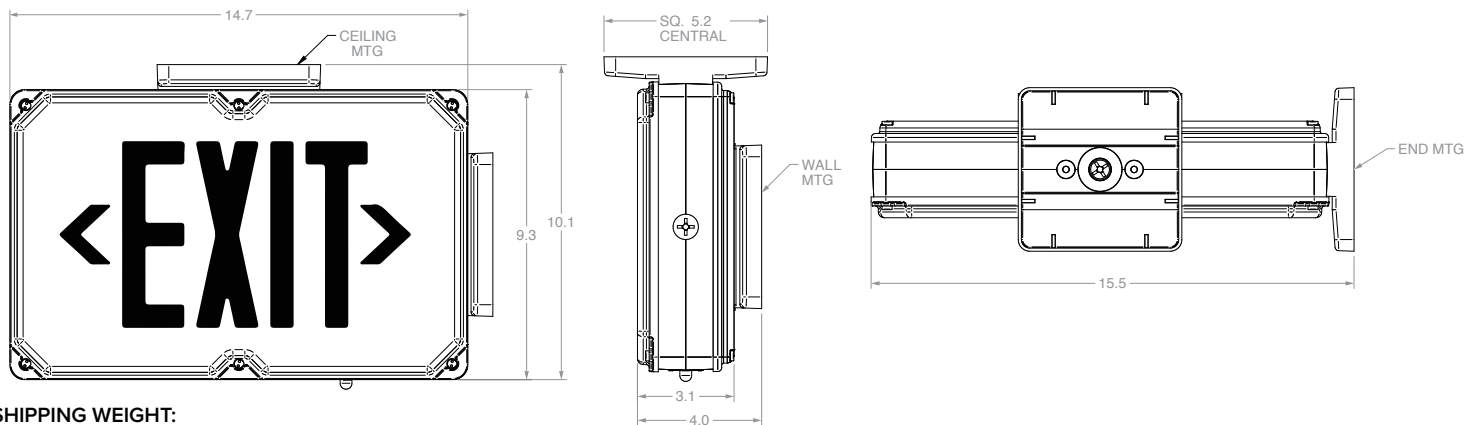
AC POWER CONSUMPTION:

AC Models	120VAC	277VAC
Red	2.1 watts	2.1 watts
Green	1.8 watts	1.8 watts

Emergency with Battery	120VAC	277VAC
Red	3.1 watts	3.2 watts
Green	2.8 watts	2.9 watts

Emergency with Heater Option	120VAC	277VAC
Red	8.7 watts	8.4 watts
Green	8.3 watts	8.1 watts

DIMENSIONS



SHIPPING WEIGHT:

- Single-Face: 13.1 lbs.
- Double-Face: 14.0 lbs.