



PGR Series

HIGH PERFORMANCE LED REMOTE

DATE: _____ LOCATION: _____

TYPE: _____ PROJECT: _____

CATALOG #: _____

FEATURES

- Four long-life, high-output LEDs
- LEDs will continue to operate even if 1 or 2 should fail
- Neutral white, 4000K LEDs
- Design optimized wide area illumination patterns
- No heads to aim, no adjustments to make
- Sturdy die-cast aluminum construction
- Standard electrical box and conduit entry provisions
- 90-minute emergency operation from external 6 through 12 VDC source
- Fast, easy installation



SPECIFICATIONS

APPLICATION

- Architectural style for indoor or outdoor application

CONSTRUCTION

- Housing and mounting plate are constructed of 1/8" die-cast aluminum and sealed with a 1/8" closed-cell silicone gasket
- Housing finish is powder coated electro-deposition paint available in four colors: dark bronze, white, platinum silver and black

INSTALLATION

- Remote can be wall-mounted by use of a universal molded-in template
- Wired from the j-box through the back or through a conduit entry at the top

ILLUMINATION

- The unit is illuminated by 4 high power LED's arranged so that in the event of 1 or 2 LED failures the unit will continue to operate
- The PGR accepts DC voltage which must be supplied from an external 6-12V DC emergency lighting unit

COMPLIANCES

- Wet Location Listed to UL 924 Standard
- Designed to NFPA101, NFPA70 requirements

WARRANTY

- Full 5 year warranty

ORDERING GUIDE

Example: PGRW

CATALOG #

PGR			
Model		Finish	
PGR Remote Head	W	White	
	B	Black	
	Z	Dark Bronze	
	P	Platinum Silver	



PGR Series

HIGH PERFORMANCE LED REMOTE

DATE: _____ LOCATION: _____

TYPE: _____ PROJECT: _____

CATALOG #: _____

ELECTRONICS

The PGN has two modes of operation:

Normal mode: In normal mode, power is supplied from 120V or 277V AC source and may be switched on/off allowing the unit to behave like a typical luminaire.

Emergency mode: Upon failure of normal utility power, an external (6-12VDC) emergency power source (supplied separately) having transfer logic will operate the PGN as an emergency unit. In order for the unit to function properly as emergency lighting (NEC 700.12), the DC emergency source must be powered (under normal conditions) from the same AC circuit as that to the unit.

Number of Lamps: Four High Output LEDs

LED Lamplife: 48,000 hrs. at 70% of initial

Lamp Configuration: 4 individually driven LEDs provide illumination. In the event of 1 or 2 LED failures, the remaining LED's will continue to function.

Lamp Color: Neutral White, 4000K

Color Rendering Index (CRI): 75

Total Lamp Output: 445 Lumens min. initial

Input: 120/277VAC, 60 Hz. "Normal"

6-12VDC "Emergency"

Functional Circuitry: Transient surge protection

Operating Temperature Range: -30°C to 50°C (-22°F to 122°F)

Power Consumption:

Normal

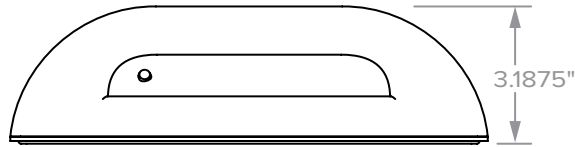
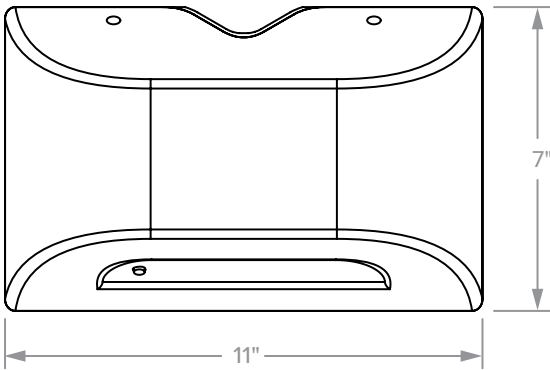
17W @ 120VAC, 17W @ 277VAC

Emergency

12W @ 6VDC, 13W @ 12VDC

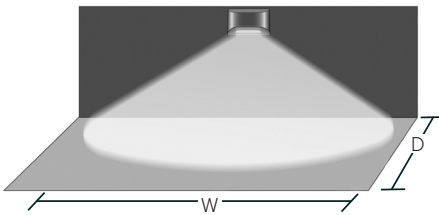
Power Factor: Average .80 (lagging)

DIMENSIONS



APPLICATION INFORMATION

Single Unit Coverage



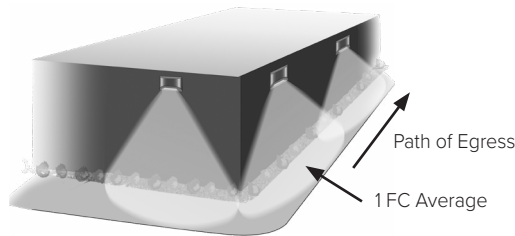
Mounting Height: 9'

Indoor Reflectance: 0/30/10

Outdoor Reflectance: 80/50/20

	Indoor	Outdoor
1 FC Average (WxD)	35' x 10'	29' x 10'
1 FC Minimum (WxD)	11' x 10'	10' x 10'

Multiple Unit Spacing



Mounting Height: 9'

Illuminated Path Depth: 6'

Outdoor Reflectance: 0/30/10

Indoor Reflectance: 80/50/20

	Indoor	Outdoor
1 FC Average (WxD)	49'	37'
1 FC Minimum (WxD)	19'	16'