



Dynamo DYNHL Series

NEMA 4X HIGH LUMEN INDUSTRIAL LED EMERGENCY LIGHT

DATE: _____ LOCATION: _____

TYPE: _____ PROJECT: _____

CATALOG #: _____



FEATURES

- High lumen, high mounting height
- Up to 168' multi-unit spacing
- 90-minute full lumen output
- Self-test/self-diagnostics standard
- Wet and NEMA 4X application
- Food processing option
- Remote laser tester option
- Long-life lithium iron phosphate battery
- CEC T20 compliant
- Matching remote heads



Patent Pending



SPECIFICATIONS

APPLICATION

- Highly versatile superior lumen output, industrial application emergency lighting unit, designed to provide a minimum of 90 minutes illumination when primary power is lost.
- Includes microcontroller based 3-stage charger and Lithium Iron Phosphate (LiFePO4) battery.
- Specifically designed for demanding environments, high reliability operation in industrial settings such as high ceiling, wet location, hose-down, food processing, food storage, production facilities, chemical plants, and wastewater treatment.

CONSTRUCTION

- Flame-rated, UV stable thermoplastic housing which is fully gasketed and corrosion resistant with a gray finish.
- The DYN series housing, covers, remote housing and shield are made of polycarbonate.
- Lampheads are made of die-cast aluminum for thermal dissipation.
- LED lenses are made of polycarbonate.
- The Food Processing (FP) optioned DYN includes a clear polycarbonate shield which fully covers the lampheads.

INSTALLATION

- Includes a universal mounting plate which facilitates mounting to a truss or I-beam, pole, column, or wall.
- Special bracket included to ensure positive pole gripping when using bands.

INSTALLATION (CONT'D)

- In wet or NEMA 4X applications, use UL listed watertight conduit fittings that meet the requirements of the UL 514B Standard for Conduit Tubing and Cable Fittings when using knockouts on the side or top of unit. *All fittings supplied by others.
- The DYN Series accepts 120 through 277VAC input at 50 or 60Hz. Not designed for self-diagnostic operation at 220-240VAC input.
- Universal mounting plate made of painted stamped steel.

ILLUMINATION

- Each lamphead provides 1,106 lumens for total lumen output of 2,212 lumens.
- Provides a bright and uniform illumination and is specifically designed for higher mounting heights above 9'.
- Coverage produced by two 8 watt (each) sealed aluminum lampheads using 6 high power LEDs each.
- LEDs housed in a specially designed, heat dissipating, fully adjustable lamphead which can be locked into position.
- Designed for full lumen output across the entire safety code required 90 minutes of operation to ensure maximum visibility for emergency path of egress.

COMPLIANCES

- Listed to UL924 Standard, NFPA 101, NFPA 70
- Wet Location, NEMA 4, 4X rated
- UL Sanitation Certified (including NSF standards) with FP Option
- IP66 rated
- CEC T20 Compliant

WARRANTY

- LED Lifetime Warranty
- DYN Spectron® Model- 5 Year Full



Dynamo DYNHL Series

NEMA 4X HIGH LUMEN INDUSTRIAL LED EMERGENCY LIGHT

DATE: _____ LOCATION: _____

TYPE: _____ PROJECT: _____





CATALOG #: _____

ORDERING GUIDE

Example: DYNHL12I-4X

CATALOG # _____

DYNHL	12	I		4X	
Model	Capacity	Self-Diagnostics	Lamp	Application	Options
DYNHL Dynamo High Lumen Emergency Light	12 32 Watt	I Spectron® Self Diagnostics	Blank 16 Watt LED Lamps	4X NEMA 4X/IP66 Rated	FP Food Processing Rated

Accessories	Description	Example Image
<input type="checkbox"/> DYNRDHL-4X	NEMA 4X Rated Double Head High Lumen Remote	
<input type="checkbox"/> DYNRDHL-4X-FP	NEMA 4X Rated Double Head High Lumen Food Processing Rated Remote	
<input type="checkbox"/> 93157921	Kit Laser Remote Test DYNHL	
<input type="checkbox"/> WGA2	Wire Guard - DYNHL 15" H X 14" L X 7" D	

Model	Carton Dimensions	Gross Weight
DYNHL12I-4X	12.3" x 10.25" x 5.1"	10.6 lbs
DYNHL12I-4X-FP	12.3" x 10.25" x 5.1"	11.15 lbs

INPUT POWER CONSUMPTION

	Input Voltage	Amps.	Max. Watts
DYNHL12	120	0.1	32
	277	0.07	32

Maintenance Mode Power Consumption 120VAC - 0.4W
Maintenance Mode Power Consumption 277VAC - 0.43W

PERFORMANCE DATA

ELECTRONICS

Upon failure of the normal utility power, a LED driver is automatically activated to power the emergency LED lampheads. At resumption of normal utility power, the LED driver is turned off. The battery is recharged through a microcontroller based 3-stage charger. The battery is Lithium Iron Phosphate (LiFePO4). The DYNHL series accepts dual-voltage input of 120 through 277VAC at 50 or 60 Hz. A low voltage battery disconnect (LVD) feature protects the battery from severe damage during prolonged power failures. Manual testing is available at any time using the push-to-test button or with the optional remote test laser. The DYNHL remote lampheads can be located up to 100' from the source unit using 12 gauge wire.

Number of Lamps: 2 lampheads with 6 high-power LEDs per head

Lamp Color: Cool White, 5000K

Total Lamp Output: 1,106 lumens per lamphead for 2,212 total lumens

Rated LED Lifecycle: Greater than 100,000 hrs

Operating Temperature: Wet/NEMA 4X Location Listed: 50° to 122°F (10° to 50°C)

Standard Features Include:

- Spectron Self-test/self-diagnostics service alert codes in compliance with UL 924
- NEMA4, 4X Wet location operation with lockdown head positioning
- Remote capability
- 90-minute full lumen output
- Sealed external push-to-test switch and AC-on indicator
- Battery recharge within 24 hours
- AC Lockout circuit
- Low voltage battery disconnect (LVD)
- Conduit entry knockout located at the top center and upper half of each side
- Microcontroller based 3-stage charger

Optional Feature Include:

- FP- Food processing option is UL Sanitation certified for use in food preparation and storage, and in food service establishments
- Remote Laser Tester Kit Option – Units are equipped with a remote self-diagnostics feature which allows test activation with a laser pointer. Kit includes laser pointer, safety glasses, case.

Optional Spectron Includes:

- Self-diagnostics monitors LED status, LED driver circuit, battery capacity and charger function and displays any fault detection by means of a flashing code
- Self-Test feature automatically runs a 1 minute test once a month and an alternating 30-60 minute test once every 6 months.
- Multi-color LED indicator provides visible fault detection and charging status
- User initiated 1 or 90-minute system test feature
- 15 minute re-transfer delay
- Automatic unit transfer in brown-out conditions (below 80% of nominal AC input voltage)



DATE: _____ LOCATION: _____

TYPE: _____ PROJECT: _____

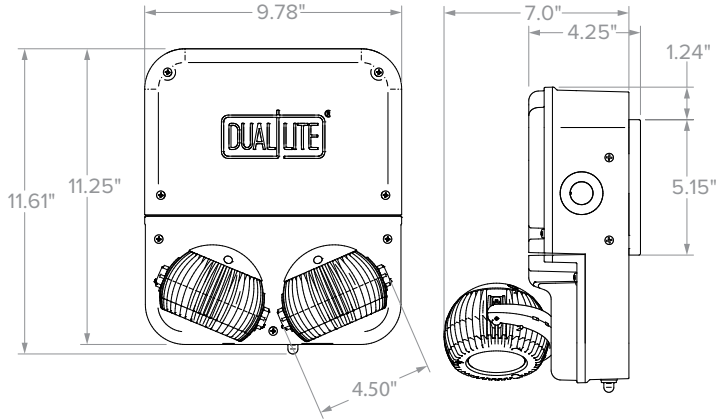
CATALOG #: _____

Dynamo DYNHL Series

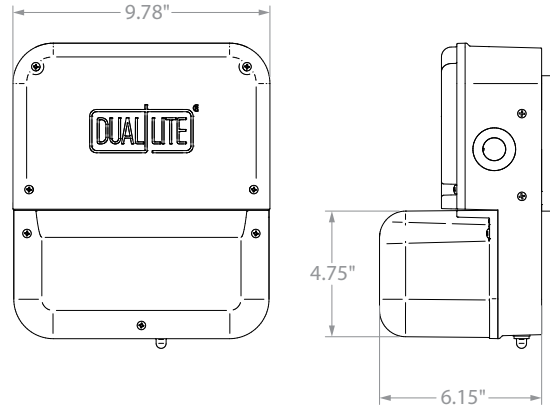
NEMA 4X HIGH LUMEN INDUSTRIAL LED EMERGENCY LIGHT

DIMENSIONS

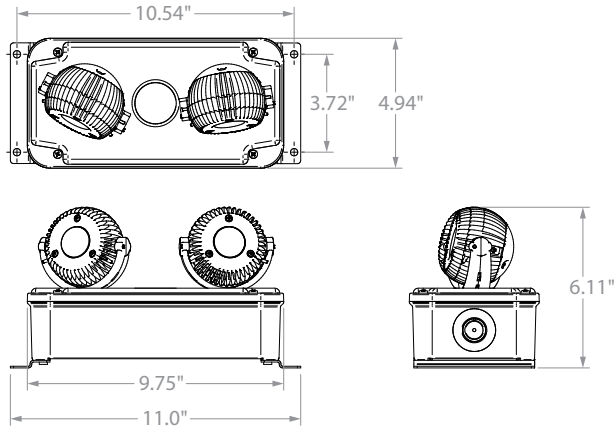
DYNHL



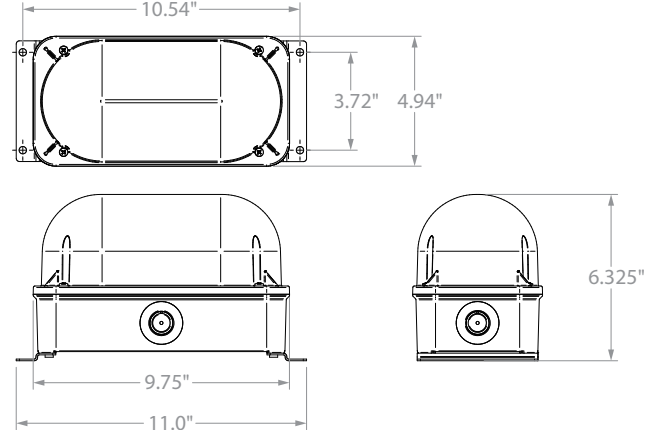
DYNHL-FP



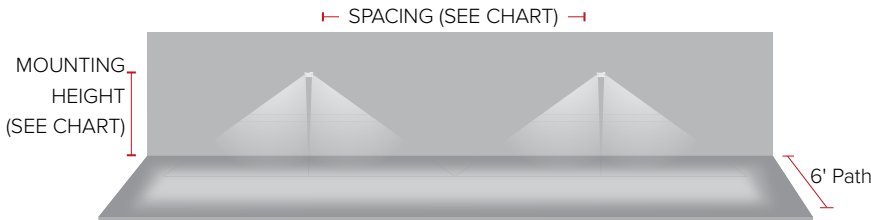
DYNRDHL



DYNRDHL-FP



APPLICATION INFORMATION



* Multiple unit spacing based on 6' path

Parameters CH=30', R=10/10/10, Ceiling mounted (Multiple Unit Spacing), 6' Path					
DYNHL (8 watt lamp)					
Mounting Height	25'	20'	14'	10'	7.5
Max Spacing @ 1 FC Avg	118'	128'	140'	146'	168
Max Spacing @ 1 FC Min	48'	49'	60'	84'	84'

Meets Life Safety Code minimum illuminance of 0.1 fc and average illuminance of 1.0 fc. Photometry files available on the currentlighting.com/dual-Lite

ADDITIONAL PRODUCT INFORMATION

	Battery	Capacity	Lamp (W)	Lumens per Lamp	Remote Lamp Watts	Run-Time	Extended Runtime	Remote Capable	Remote Part Number
DYNHL12	LiFePO4	32 watts	8 watts	1,106	7 watts	90 min	Yes	Yes	DYNRDHL-4X (-FP)