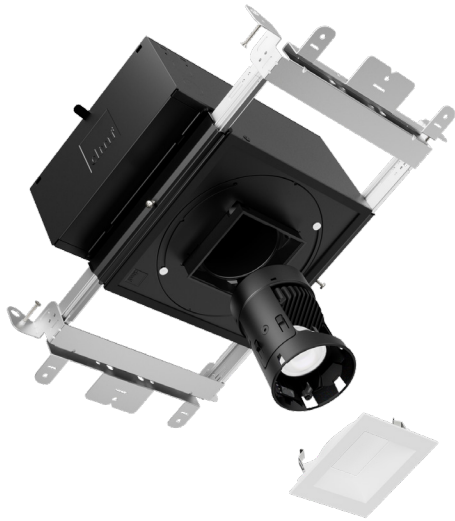


Project:	Type:
Product Code:	Date:

V041724



2" Square Adjustable

2" Adjustable delivers high quality light with field changeable optics

Precision Lock Collar eliminates overcutting and ensures flush installation

Architectural Trims are wet painted for a rich, matte finish

Integrated Drivers provide smooth dimming, ease of installation and serviceability

INSTALLATION

Ceiling Thickness

New Construction: 1/2" up to 1 1/4"

Remodel: 5/8" up to 1 1/4"

Ceiling Material

Drywall, Millwork

TRIMS

Style

Standard, Micro Flange, Pinhole, Flangeless

Finish

White, Black, Bronze, Clear Diffuse, Warm Diffuse

LIGHT OUTPUT & DISTRIBUTION

Module

Adjustable

Adjustment

360° directional aim, 35° tilt

Lumens (Power)

500 lm (9.5W), 750 lm (9.5W), 1000 lm (12.5W)

Color Quality

93 CRI, 2-step SDCM

Color Temperature

- 2700K
- 3000K
- 3500K
- 4000K
- Warm Dim (3000K–1800K)
- Tunable White (4000K–1800K)
- Tunable White (6500K–2700K)

Beam Spread

- Ultra Narrow Spot (10°)
- Narrow Spot (20°)
- Spot (30°)
- Flood (40°)
- Wide Flood (50°)
- Linear Spread (50°x30°)

POWER & CONTROLS

Input Voltage

120 / 277V

Dimming

0-10V (1%), TRIAC/ELV (1%), DALI-2 (0.1%)

RATINGS & CERTIFICATIONS

- IC Insulation Contact Rated (New Construction Only; IC for roll, batt, loose fill and spray foam)
- ASTM E283 Certified Air Tight
- Chicago Plenum
- UL Listed for Damp Location (Flanged Trims Only)
- RoHS Compliant
- NSF Listed (White and Black Finish Only)

WARRANTY

5 year limited warranty; 50,000 hours



PRODUCT BUILDER

HOUSING

PRODUCT CODE		INSTALLATION		SHAPE	
X2	2" Housing	NC	New Construction	S	Square
		CP	Chicago Plenum		
		RM	Remodel ¹		

¹ Non-IC installation only; Flanged trims only; Not available with DALI-2 dimming; Not available for wood ceiling

MODULE

PRODUCT CODE		LUMENS		CRI		CCT ²		BEAM SPREAD		DIMMING	
XMA	Adjustable	05	500 lm ³	9	93 CRI	27	2700K	UN	Ultra Narrow Spot (10°) ⁶	O	0-10V
		07	750 lm			30	3000K	NS	Narrow Spot (20°)	T	TRIAC/ELV
		10	1000 lm			35	3500K	SP	Spot (30°)	D	DALI-2 ⁷
						40	4000K	FL	Flood (40°)		
						3W	Warm Dim (3000K - 1800K) ⁴	WF	Wide Flood (50°)		
						T1	Tunable White (4000K - 1800K) ⁵	LS	Linear Spread (50°x30°)		
						T2	Tunable White (6500K - 2700K) ⁵				

² DarkSky approved is only applicable to CCT options less than or equal to 3000K

⁴ Only available in 1000 lm; Not available in Narrow Spot beam spread

⁶ Only available in 500 lm, not available as an optical accessory

³ Only available with UN beam spread

⁵ Only available in 750 lm, DALI-2 dimming

⁷ Only available in 750 lm with Tunable White CCT, 1000 lm Warm Dim or 1000 lm with static CCT

TRIM

PRODUCT CODE		FINISH		OPTION	
X2TSAS	2" Standard Trim	WH	White	[Blank]	None
X2TSAP	2" Pinhole Trim ^{8,9}	BK	Black	MF	Micro Flange ⁸
		BZ	Bronze	FL	Flangeless ^{8,10}
		CW	Clear Diffuse, White Flange		
		WW	Warm Diffuse, White Flange		

⁸ Not available in Clear or Warm Diffuse finish

¹⁰ Requires Flangeless Mud or Wood Kit in New Construction housings; Not compatible with Remodel Housing

⁹ Not available in Micro flange

PRODUCT BUILDER

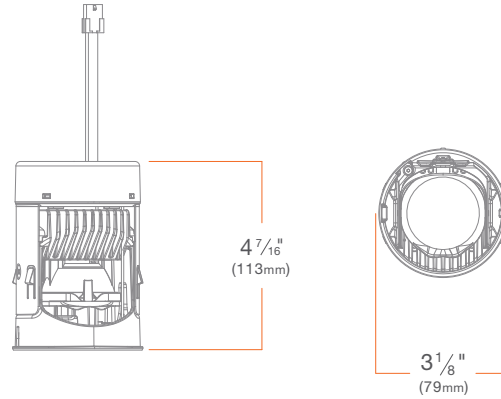
OPTICS

XAXNS	Narrow Spot (20°) Optic
XAXSP	Spot (30°) Optic
XAXFL	Flood (40°) Optic
XAXWF	Wide Flood (50°) Optic
XAXLS	Linear Spread (50°x30°) Optic
XAXOP	Bundled Adjustable Optics Kit <i>(Includes Narrow Spot, Spot, Flood, Wide Flood and Linear Spread)</i>

ACCESSORIES

X2KSMUD	Flangeless Mud Kit <i>(Required for New Construction installation of flangeless trim in drywall ceiling)</i>
X2KSWOOD	Wood Kit <i>(Required for New Construction installation of all trims in wood ceiling)</i>
X2KSTEMPLATE	Router Template <i>(Recommended for routing 3 1/4" [82mm] cutout in wood ceiling)</i>

MODULE



PERFORMANCE SUMMARY

	STATIC CCT	WARM DIM	TUNABLE WHITE
CCT	2700K, 3000K, 3500K, 4000K	3000K - 1800K	4000K - 1800K; 6500K - 2700K
LUMENS (POWER)	500 lm (9.5W), 750 lm (9.5W), 1000 lm (12.5W)	1000 lm (12.0W)	750 lm (13.4W)
EFFICACY	40 lm /W, 60 lm/W, 70 lm/W	83 lm/W	56 lm/W
COLOR QUALITY	93 CRI ¹ , 2-step SDCM	93 CRI ¹ , 3-step SDCM	93 CRI ¹ , 3-step SDCM
BEAM SPREAD	Ultra Narrow Spot (10°), Narrow Spot (20°), Spot (30°), Flood (40°), Wide Flood (50°), Linear Spread (50°x30°)	Spot (30°), Flood (40°), Wide Flood (50°), Linear Spread (50°x30°)	Narrow Spot (20°), Spot (30°), Flood (40°), Wide Flood (50°), Linear Spread (50°x30°)
DIMMING	0-10V, TRIAC/ELV, DALI-2	0-10V, TRIAC/ELV, DALI-2	DALI-2
LED CHIP	Cree	Bridgelux	Bridgelux
LISTINGS	ENERGY STAR [®] qualified ² , California Title 24 2019-2022 JA8-E Compliant, UL Listed for Damp Location, UL Certified US-CA, Declare, RoHS compliant, DALI-2 Compliant, NSF/ANSI 2 Listed ³ , Dark Sky Compliant ⁴		
ADJUSTMENT	360° directional aim, 35° tilt		
SLOPE CEILING COMPATIBILITY	Up to 35°		

¹ Tested in accordance to IESNA LM-79-2008
² Refer to ENERGY STAR Certified light fixtures database

³ In accordance to NSF/ANSI 2 for Splash Zone having designated trim finishes

⁴ Only applicable to CCT options less than or equal to 3000K and not compatible with decorative trims

ADDITIONAL

INPUT VOLTAGE: 120/277V, 50/60Hz

MAX INPUT CURRENT (120V): 0.11 amps

MAX INPUT CURRENT (277V): 0.05 amps

CONNECTOR: 6-pin Molex

POWER FACTOR: Greater than 0.9

TOTAL HARMONIC DISTORTION: Less than 20%

AMBIENT OPERATING TEMPERATURE: -20°C to 40°C

WARRANTY: 5 year limited warranty; 50,000 hours at 70% lumen maintenance

TRIMS



SUMMARY

CONSTRUCTION: Die-cast aluminum

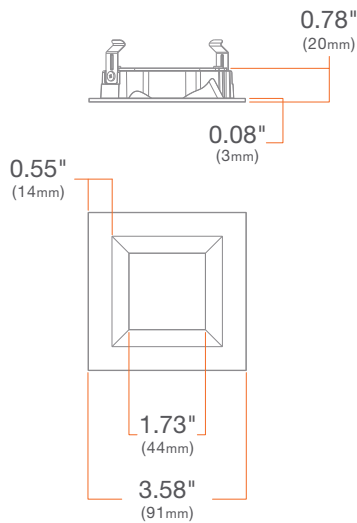
FINISH: Wet paint

INSTALLATION: Precision Lock Collar included with Flanged or Micro Flange Trim and Flangeless Mud or Wood Kit

WARRANTY: 5 year limited warranty

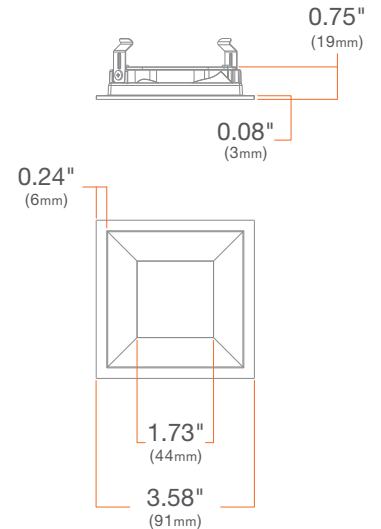
Standard

X2TSASWH



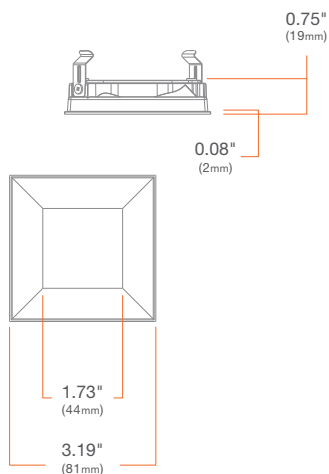
Standard Micro Flange

X2TSASWHMF



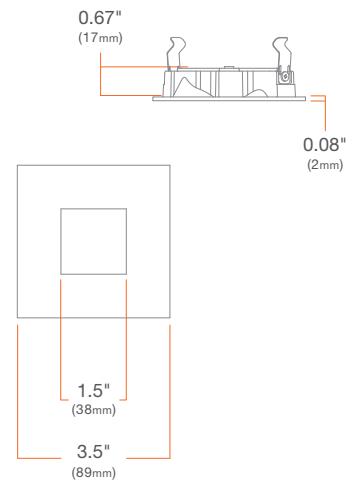
Standard Flangeless

X2TSASWHFL



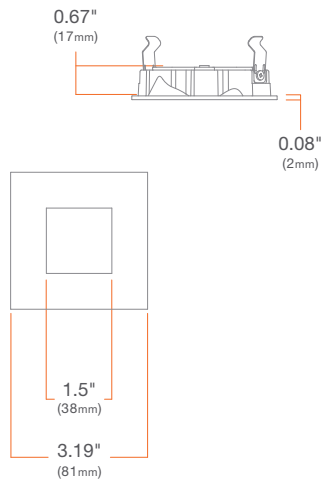
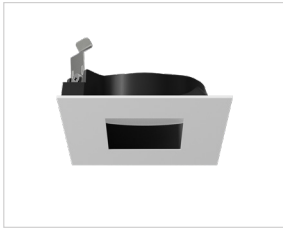
Pinhole

X2TSAPWH

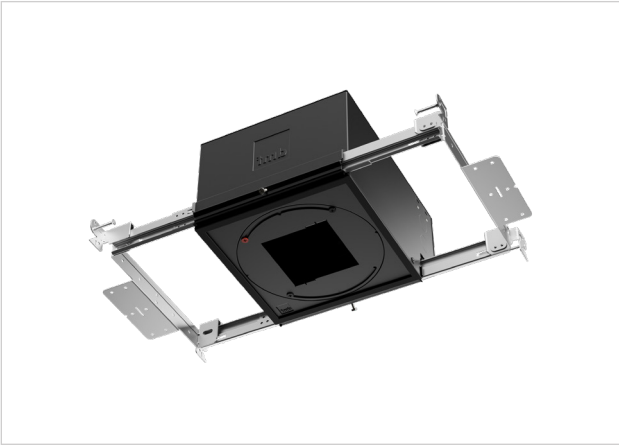


Pinhole Flangeless

X2TSAPWHFL



HOUSING



New Construction **X2NCS** Chicago Plenum **X2CPS**

SUMMARY

JUNCTION BOX: Equipped with 10 knockouts: four 1/2" trade size knockouts, two 3/4" trade size knockouts, and four romex knockouts. Approved for 8 (four in, four out) #12 AWG 70°C.

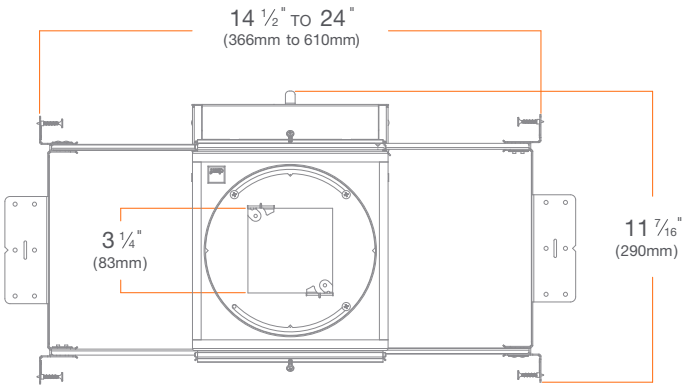
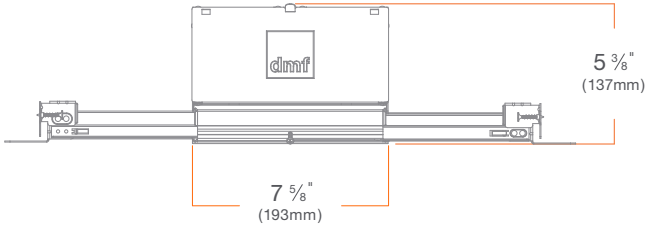
BAR HANGER MOUNTING: Adjustable Bar Hangers for 14.5" to 24" joist spacing, when bar hangers are broken down, up to 10.5" of joist spacing. Compatible with traditional joists, Armstrong™ ceiling, Hat Channel and T-Bar. Vertical adjustment (0.5"-1.25") through installation of the square collar.

CEILING: 1/2" up to 1 1/4"

CUTOUT: 3 1/4" (82mm) square opening

LISTINGS: Chicago Plenum, ASTM E283 certified Air Tight, IC (Insulation Contact) up to R-32 for Roll, Batt, and Loose Fill, up to R-60 Spray Foam with standard trims, up to R-32 Spray Foam with other trims

WARRANTY: 5 year limited warranty



HOUSING



Remodel

X2RMS

SUMMARY

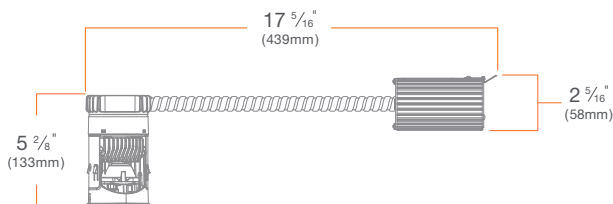
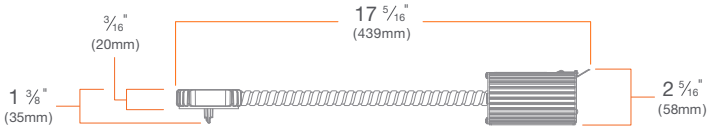
JUNCTION BOX: Equipped with four knockouts: two 1/2" trade size knockouts and two romex knockouts. Approved for 8 (four in, four out) #12 AWG 70°C.

CEILING: 5/8" up to 1 1/4"

CUTOUT: 3 1/4" (82mm) square opening

LISTINGS: Non-IC

WARRANTY: 5 year limited warranty



ACCESSORIES

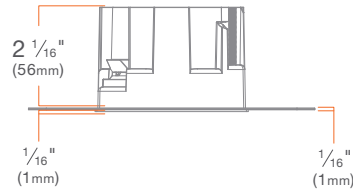
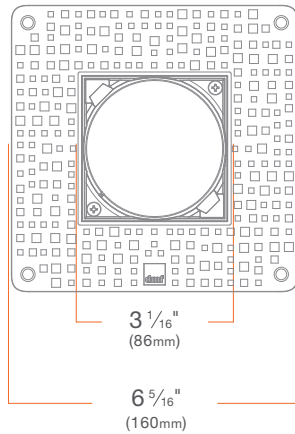


Flangeless Mud Kit

X2KSMUD

SUMMARY: Flangeless Mud Kit (Required for New Construction installation of Flangeless Trim in drywall ceiling)

CEILING: 0.5" up to 1.25"

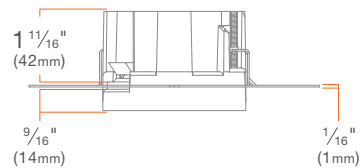
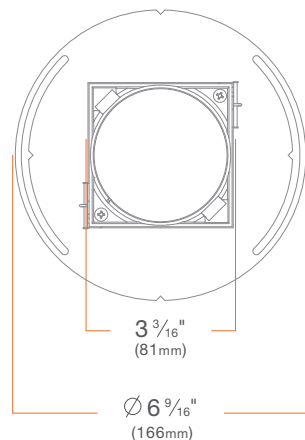


Wood Kit

X2KSWOOD

SUMMARY: Wood Kit (Required for New Construction installation of all trims in wood ceiling)

CEILING: 0.5" up to 1"



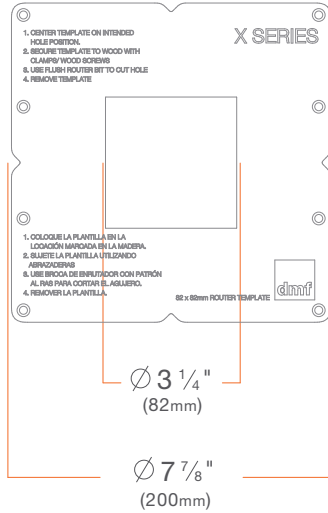
ACCESSORIES



Router Template

X2KSTEMPLATE

SUMMARY: Router Template (Recommended for routing 3 1/4" [82mm] cutout in wood ceiling)

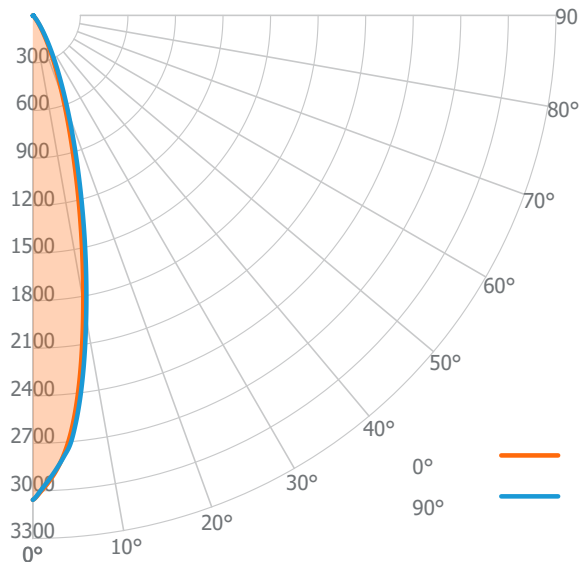


PHOTOMETRY

1000 lm, 3000K, Narrow Spot **XMA10930NST**

2" Standard White Trim **X2TSASWH**

Candela Distribution



Luminous Intensity

	0°
0°	3057
5°	2670
10°	1832
15°	1055
20°	563
25°	294
30°	143
35°	65
40°	29
45°	13
50°	7
55°	6
60°	5
65°	4
70°	3
75°	2
80°	1
85°	1
90°	0

Zonal Lumen Summary

Zone	Lumens	Luminaire %
0° - 30°	686	91%
0° - 40°	732	97%
0° - 60°	749	99%
0° - 90°	755	100%
0° - 180°	755	100%

Illuminance Chart

Distance from LED	Foot Candles	Diameter
3 ft	339.6 fc	1.3 ft
6 ft	84.9 fc	2.5 ft
9 ft	37.7 fc	3.8 ft
12 ft	21.2 fc	5.0 ft

Input Watts: **12.0 W**

Lumens: **755 lm**

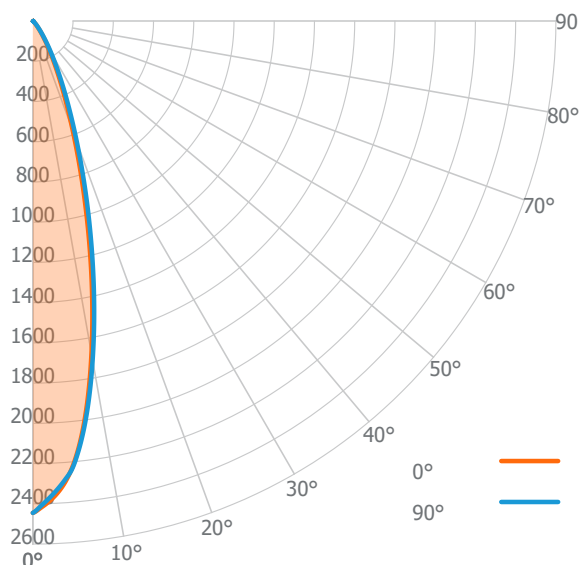
Efficacy: **63 lm/W**

Beam Angle: **24° x 25°**

1000 lm, 3000K, Spot **XMA10930SPT**

2" Standard White Trim **X2TSASWH**

Candela Distribution



Luminous Intensity

	0°
0°	2445
5°	2231
10°	1679
15°	1055
20°	583
25°	308
30°	158
35°	75
40°	33
45°	15
50°	8
55°	6
60°	5
65°	4
70°	3
75°	2
80°	1
85°	1
90°	0

Zonal Lumen Summary

Zone	Lumens	Luminaire %
0° - 30°	640	89%
0° - 40°	691	97%
0° - 60°	710	99%
0° - 90°	716	100%
0° - 180°	716	100%

Illuminance Chart

Distance from LED	Foot Candles	Diameter
3 ft	271.7 fc	1.5 ft
6 ft	67.9 fc	2.9 ft
9 ft	30.2 fc	4.4 ft
12 ft	17.0 fc	5.8 ft

Input Watts: **12.0 W**

Lumens: **716 lm**

Efficacy: **60 lm/W**

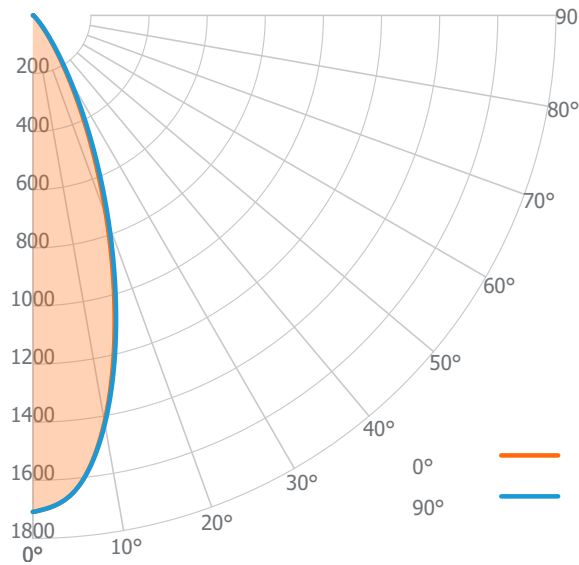
Beam Angle: **27° x 28°**

PHOTOMETRY

1000 lm, 3000K, Flood **XMA10930FLT**

2" Standard White Trim **X2TSASWH**

Candela Distribution



Luminous Intensity

Angle	Luminous Intensity (cd)
0°	1709
5°	1644
10°	1421
15°	1088
20°	740
25°	448
30°	239
35°	114
40°	50
45°	22
50°	10
55°	6
60°	5
65°	4
70°	3
75°	2
80°	1
85°	1
90°	0

Zonal Lumen Summary

Zone	Lumens	Luminaire %
0° - 30°	653	86%
0° - 40°	730	96%
0° - 60°	755	99%
0° - 90°	762	100%
0° - 180°	762	100%

Illuminance Chart

Distance from LED	Foot Candles	Diameter
3 ft	189.8 fc	2.0 ft
6 ft	47.5 fc	4.0 ft
9 ft	21.1 fc	6.0 ft
12 ft	11.9 fc	7.9 ft

Input Watts: **12.0 W**

Lumens: **762 lm**

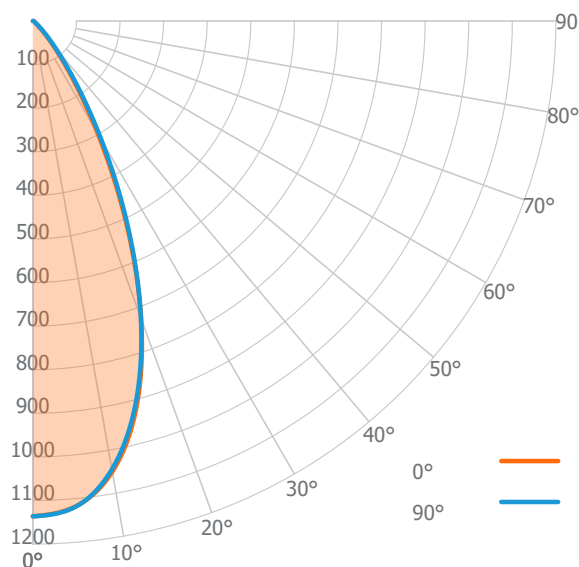
Efficacy: **64 lm/W**

Beam Angle: **37° x 37°**

1000 lm, 3000K, Wide Flood **XMA10930WFT**

2" Standard White Trim **X2TSASWH**

Candela Distribution



Luminous Intensity

Angle	Luminous Intensity (cd)
0°	1136
5°	1118
10°	1050
15°	918
20°	726
25°	503
30°	298
35°	154
40°	71
45°	29
50°	12
55°	7
60°	5
65°	5
70°	3
75°	2
80°	1
85°	1
90°	1

Zonal Lumen Summary

Zone	Lumens	Luminaire %
0° - 30°	581	81%
0° - 40°	681	94%
0° - 60°	713	99%
0° - 90°	721	100%
0° - 180°	721	100%

Illuminance Chart

Distance from LED	Foot Candles	Diameter
3 ft	126.3 fc	2.6 ft
6 ft	31.6 fc	5.2 ft
9 ft	14.0 fc	7.8 ft
12 ft	7.9 fc	10.5 ft

Input Watts: **12.3 W**

Lumens: **721 lm**

Efficacy: **59 lm/W**

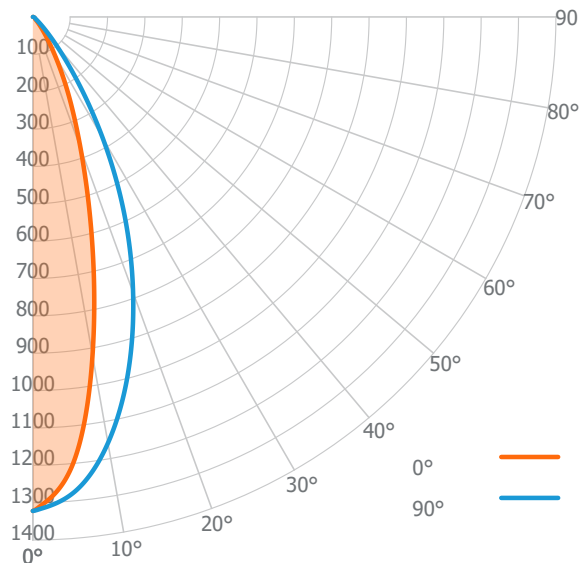
Beam Angle: **47° x 47°**

PHOTOMETRY

1000 lm, 3000K, Linear Spread **XMA10930LST**

2" Standard White Trim **X2TSASWH**

Candela Distribution



Luminous Intensity

Angle	Luminous Intensity (cd)
0°	1322
5°	1206
10°	920
15°	610
20°	373
25°	221
30°	118
35°	58
40°	28
45°	14
50°	8
55°	6
60°	5
65°	4
70°	3
75°	2
80°	1
85°	1
90°	0

Zonal Lumen Summary

Zone	Lumens	Luminaire %
0° - 30°	509	81%
0° - 40°	591	94%
0° - 60°	619	99%
0° - 90°	628	100%
0° - 180°	628	100%

Illuminance Chart

Distance from LED	Foot Candles	Diameter
3 ft	146.9 fc	1.5 ft
6 ft	36.7 fc	3.0 ft
9 ft	16.3 fc	4.5 ft
12 ft	9.2 fc	6.0 ft

Input Watts: **12.0 W**

Lumens: **628 lm**

Efficacy: **52 lm/W**

Beam Angle: **28° x 46°**