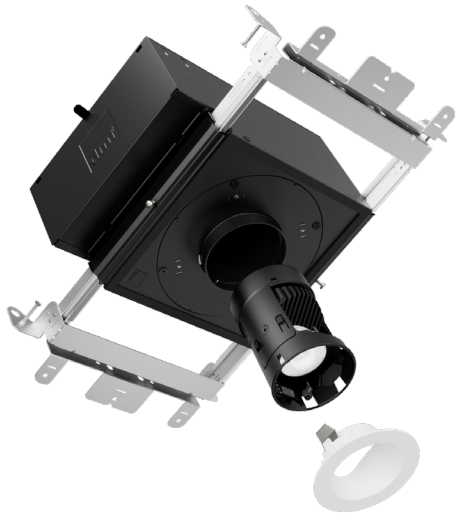


Project:	Type:
Product Code:	Date:

V041724



2" Round Adjustable

2" Adjustable delivers high quality light with field changeable optics

Precision Lock Collar eliminates overcutting and ensures flush installation

Architectural Trims are wet painted for a rich, matte finish

Integrated Drivers provide smooth dimming, ease of installation and serviceability

INSTALLATION

Ceiling Thickness

New Construction: 1/2" up to 1 1/4"

Remodel: 5/8" up to 1 1/4"

Ceiling Material

Drywall, Millwork

TRIMS

Style

Standard, Micro Flange, Pinhole, Flangeless

Finish

White, Black, Bronze, Clear Diffuse, Warm Diffuse, Custom (RAL colors)

SPECIALTY LENS

Hexcell Louver

LIGHT OUTPUT & DISTRIBUTION

Module

Adjustable

Adjustment

360° directional aim, 35° tilt

Lumens (Power)

500 lm (9.5W), 750 lm (9.5W), 1000 lm (12.5W)

Color Quality

93 CRI, 2-step SDCM

Color Temperature

- 2700K
- 3000K
- 3500K
- 4000K
- Warm Dim (3000K–1800K)
- Tunable White (4000K–1800K)
- Tunable White (6500K–2700K)

Beam Spread

- Ultra Narrow Spot (10°)
- Narrow Spot (20°)
- Spot (30°)
- Flood (40°)
- Wide Flood (50°)
- Linear Spread (50° x 30°)

POWER & CONTROLS

Input Voltage

120 / 277V

Dimming

0-10V (1%), TRIAC/ELV (1%), DALI-2 (0.1%)

RATINGS & CERTIFICATIONS

- IC Insulation Contact Rated (New Construction Only; IC for roll, batt, loose fill and spray foam)
- ASTM E283 Certified Air Tight
- Chicago Plenum
- UL Listed for Damp Location
- RoHS Compliant
- NSF Listed (White and Black Finish Only)

WARRANTY

5 year limited warranty; 50,000 hours



PRODUCT BUILDER

HOUSING

PRODUCT CODE		INSTALLATION		SHAPE	
X2	2" Housing	NC	New Construction	R	Round
		CP	Chicago Plenum		
		RM	Remodel ¹		

¹ Non-IC installation only; Flanged trims only; Not available with DALI-2 dimming; Not available for wood ceiling

MODULE

PRODUCT CODE		LUMENS		CRI	CCT ²		BEAM SPREAD		DIMMING		
XMA	Adjustable	05	500 lm ³	9	93 CRI	27	2700K	UN	Ultra Narrow Spot (10°) ⁶	O	0-10V
		07	750 lm			30	3000K	NS	Narrow Spot (20°)	T	TRIAC/ELV
		10	1000 lm			35	3500K	SP	Spot (30°)	D	DALI-2 ⁸
						40	4000K	FL	Flood (40°)		
						3W	Warm Dim (3000K–1800K) ⁴	WF	Wide Flood (50°)		
						T1	Tunable White (4000K–1800K) ⁵	LS	Linear Spread (50° x 30°)		
						T2	Tunable White (6500K–2700K) ⁵	UH	Ultra Narrow Spot Hex Louver ⁶		
								NH	Narrow Spot Hex Louver ⁷		
								SH	Spot Hex Louver ⁷		
								FH	Flood Hex Louver ⁷		
								WH	Wide Flood Hex Louver ⁷		

² DarkSky approved is only applicable to CCT options less than or equal to 3000K

³ Only available with UN or UH beam spread

⁴ Only available in 1000 lm; Not available in Narrow Spot beam spread

⁵ Only available in 750 lm; DALI-2 dimming

⁶ Only available in 500 lm; Not available as an optical accessory

⁷ Not available for DALI-2 modules

⁸ Only available in 750 lm with Tunable White CCT, 1000 lm Warm Dim or 1000 lm with static CCT

TRIM

PRODUCT CODE		FINISH		OPTION	
X2TRAS	2" Standard Trim	WH	White	[Blank]	None
X2TRAP	2" Pinhole Trim ^{9,10}	BK	Black	MF	Micro Flange ⁹
		BZ	Bronze	FL	Flangeless ^{9,11}
		CW	Clear Diffuse, White Flange		
		WW	Warm Diffuse, White Flange		
		CC	Custom (RAL colors)		

⁹ Only available in White, Black & Bronze finish

¹⁰ Not Available in Micro Flange

¹¹ Requires Flangeless Mud or Wood Kit in New Construction housings

PRODUCT BUILDER

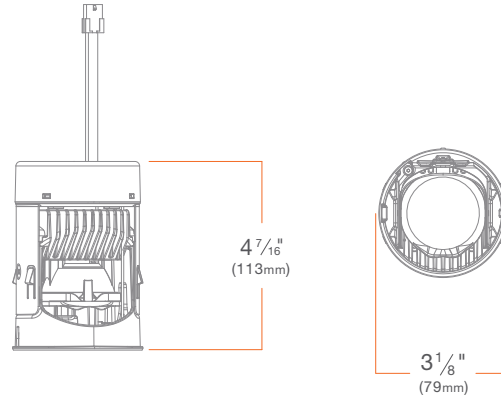
OPTICS

XAXNS	Narrow Spot (20°) Optic
XAXSP	Spot (30°) Optic
XAXFL	Flood (40°) Optic
XAXWF	Wide Flood (50°) Optic
XAXLS	Linear Spread (50°x30°) Optic
XAXOP	Bundled Adjustable Optics Kit <i>(Includes Narrow Spot, Spot, Flood, Wide Flood and Linear Spread)</i>
XAXNH	Narrow Spot Optic with Hexcell Louver
XAXSH	Spot Optic with Hexcell Louver
XAXFH	Flood Optic with Hexcell Louver
XAXWH	Wide Flood Optic with Hexcell Louver
XAXHD	High Diffusion Front Lens <i>(Can be paired with all beam spreads to provide extra diffusion; Only available as an optical accessory)</i>
XAXCL	Clear Front Lens <i>(Can be paired with all beam spreads to decrease diffusion and define edges; Only available as an optical accessory)</i>

ACCESSORIES

X2KRMUD	Flangeless Mud Kit <i>(Required for New Construction installation of Flangeless Trim in drywall ceiling)</i>
X2KRWOOD	Wood Kit <i>(Required for New Construction installation of all trims in wood ceiling)</i>
X2KRTEMPLATE	Router Template <i>(Recommended for routing 3 3/16" [81mm] cutout in wood ceiling)</i>

MODULE



PERFORMANCE SUMMARY

	STATIC CCT	WARM DIM	TUNABLE WHITE
CCT	2700K, 3000K, 3500K, 4000K	3000K - 1800K	4000K - 1800K; 6500K - 2700K
LUMENS (POWER)	500 lm (9.5W), 750 lm (9.5W), 1000 lm (12.5W)	1000 lm (12.0W)	750 lm (13.4W)
EFFICACY	40 lm /W, 60 lm/W, 70 lm/W	83 lm/W	56 lm/W
COLOR QUALITY	93 CRI ¹ , 2-step SDCM	93 CRI ¹ , 3-step SDCM	93 CRI ¹ , 3-step SDCM
BEAM SPREAD	Ultra Narrow Spot (10°), Narrow Spot (20°), Spot (30°), Flood (40°), Wide Flood (50°), Linear Spread (50°x30°)	Spot (30°), Flood (40°), Wide Flood (50°), Linear Spread (50°x30°)	Narrow Spot (20°), Spot (30°), Flood (40°), Wide Flood (50°), Linear Spread (50°x30°)
DIMMING	0-10V, TRIAC/ELV, DALI-2	0-10V, TRIAC/ELV, DALI-2	DALI-2
LED CHIP	Cree	Bridgelux	Bridgelux
LISTINGS	ENERGY STAR [®] qualified ² , California Title 24 2019–2022 JA8-E Compliant, UL Listed for Damp Location, UL Certified US-CA, Declare, RoHS compliant, DALI-2 Compliant, NSF/ANSI 2 Listed ³ , Dark Sky Compliant ⁴		
ADJUSTMENT	360° directional aim, 35° tilt		
SLOPE CEILING COMPATIBILITY	Up to 35°		

¹ Tested in accordance to IESNA LM-79-2008

² Refer to ENERGY STAR Certified light fixtures database

³ In accordance to NSF/ANSI 2 for Splash Zone having designated trim finishes

⁴ Only applicable to CCT options less than or equal to 3000K

ADDITIONAL

INPUT VOLTAGE: 120/277V, 50/60Hz

MAX INPUT CURRENT (120V): 0.11 amps

MAX INPUT CURRENT (277V): 0.05 amps

CONNECTOR: 6-pin Molex

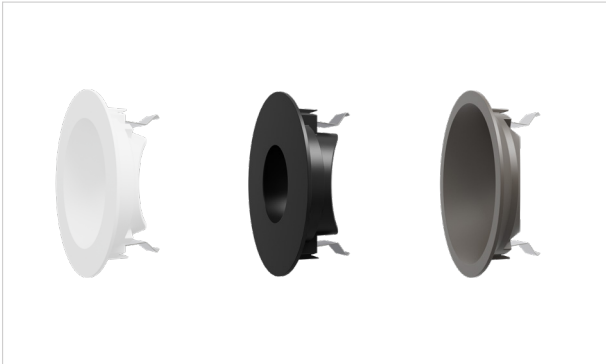
POWER FACTOR: Greater than 0.9

TOTAL HARMONIC DISTORTION: Less than 20%

AMBIENT OPERATING TEMPERATURE: -20°C to 40°C

WARRANTY: 5 year limited warranty; 50,000 hours at 70% lumen maintenance

TRIMS



SUMMARY

CONSTRUCTION: Die-cast aluminum

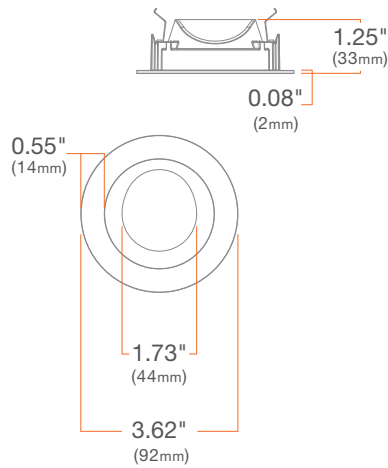
FINISH: Wet paint

INSTALLATION: Precision Lock Collar included with Flanged or Micro Flange Trim and Flangeless Mud or Wood Kit

WARRANTY: 5 year limited warranty

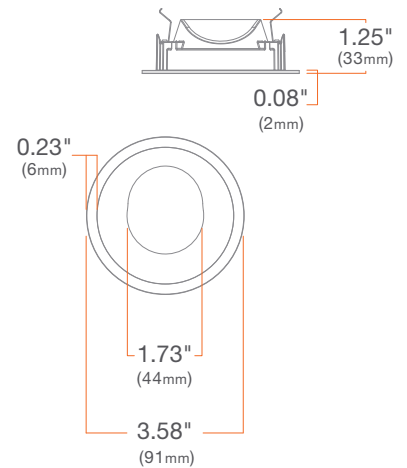
Standard

X2TRASWH



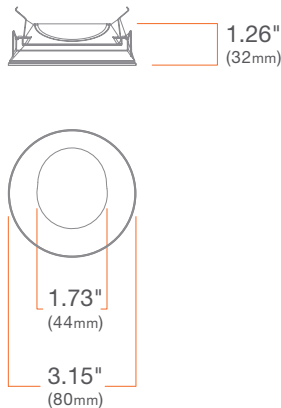
Standard Micro Flange

X2TRASWHMF



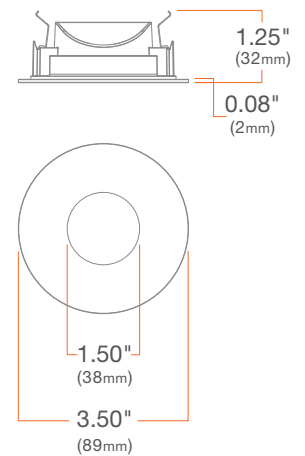
Standard Flangeless

X2TRASWHFL



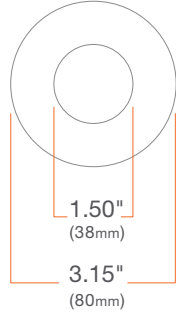
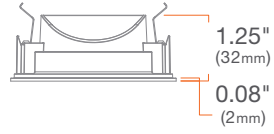
Pinhole

X2TRAPWH

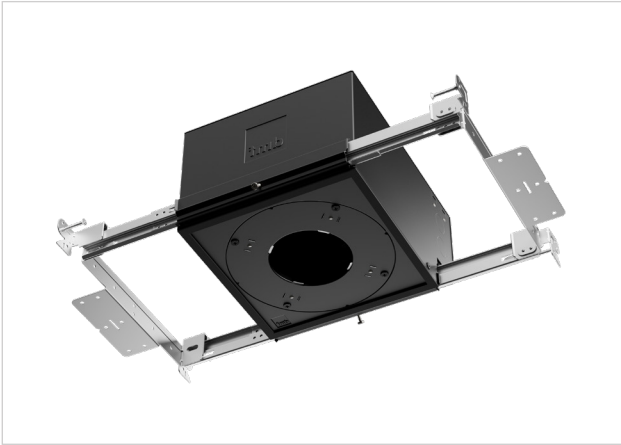


Pinhole Flangeless

X2TRAPWHFL



HOUSING



New Construction **X2NCR** Chicago Plenum **X2CPR**

SUMMARY

JUNCTION BOX: Equipped with 10 knockouts: four 1/2" trade size knockouts, two 3/4" trade size knockouts, and four romex knockouts. Approved for 8 (four in, four out) #12 AWG 70°C.

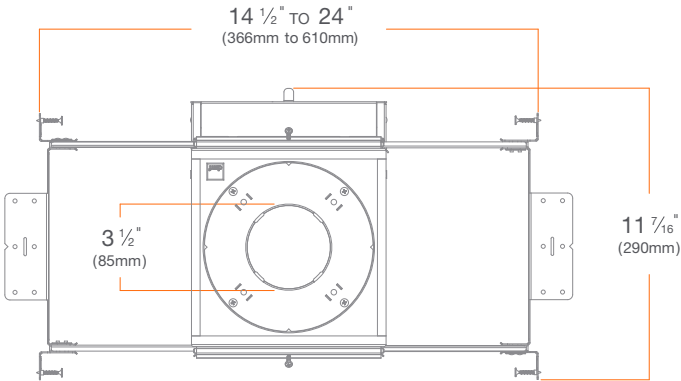
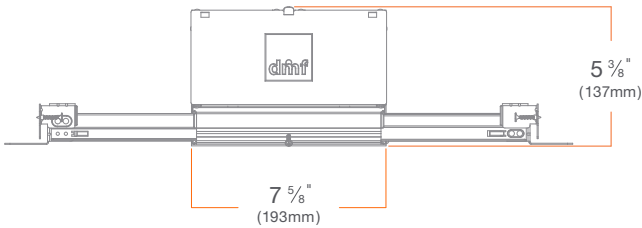
BAR HANGER MOUNTING: Adjustable Bar Hangers for 14.5" to 24" joist spacing, when bar hangers are broken down, up to 10.5" of joist spacing. Compatible with traditional joists, Armstrong TM ceiling, Hat Channel and T-Bar. Vertical adjustment (0.5"-1.25") through installation of the round collar.

CEILING: Collar allows for vertical adjustment from 1/2" up to 1 1/4" in the ceiling.

CUTOUT: 3 1/4" (82mm) round opening

LISTINGS: Chicago Plenum, ASTM E283 certified Air Tight, IC (Insulation Contact) up to R-32 for Roll, Batt, and Loose Fill, up to R-60 Spray Foam with standard trims, up to R-32 Spray Foam with other trims or hex louver

WARRANTY: 5 year limited warranty



HOUSING



Remodel

X2RMR

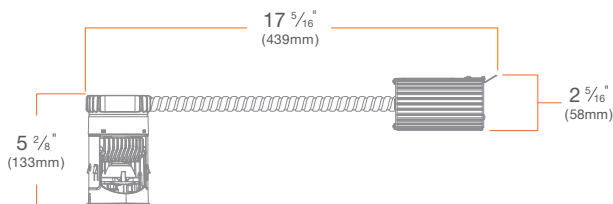
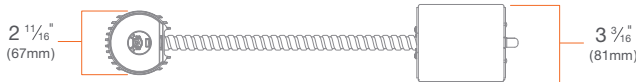
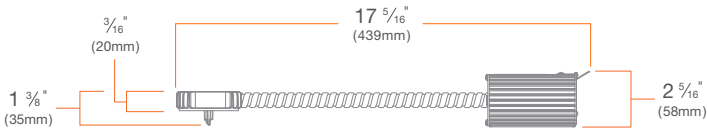
SUMMARY

JUNCTION BOX: Equipped with four knockouts: two 1/2" trade size knockouts and two romex knockouts. Approved for 8 (four in, four out) #12 AWG 70°C.

CEILING: 5/8" up to 1 1/4"

CUTOUT: 3 1/4" (82mm) round opening

WARRANTY: 5 year limited warranty



ACCESSORIES

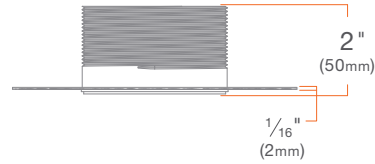
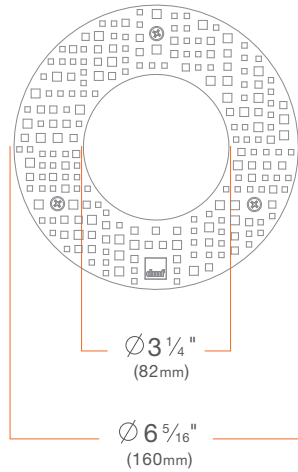


Flangeless Mud Kit

X2KRMUD

SUMMARY: Flangeless Mud Kit (Required for New Construction installation of Flangeless Trim in drywall ceiling)

CEILING: 0.5" up to 1.25"

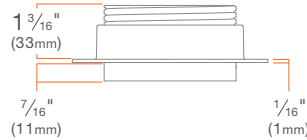
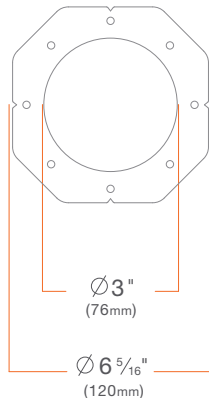


Wood Kit

X2KRWOOD

SUMMARY: Wood Kit (Required for New Construction installation in wood ceiling. Must be mounted on wood before installation to ceiling.)

CEILING: 0.5" up to 1"



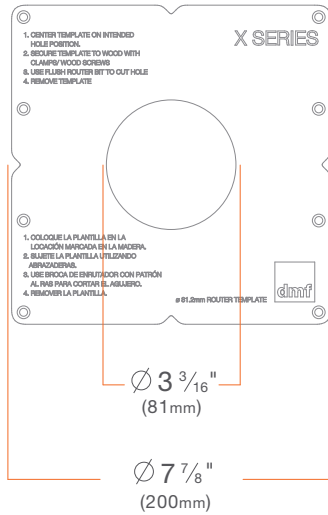
ACCESSORIES



Router Template

X2KRTEMPLATE

SUMMARY: Router Template (Recommended for routing 3 3/16" [81mm] cutout in wood ceiling)

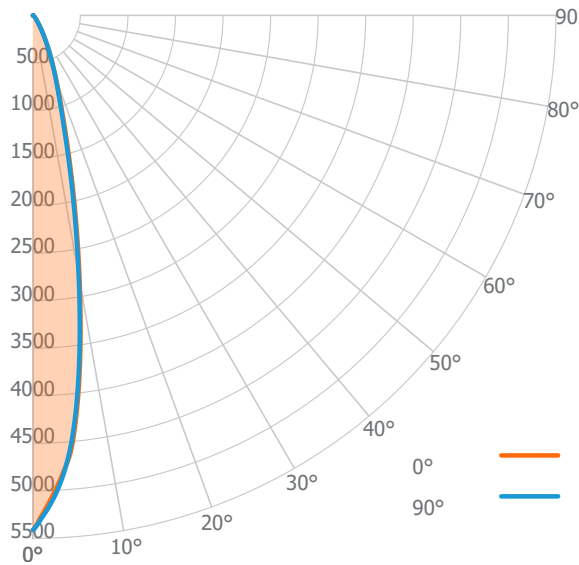


PHOTOMETRY

1000 lm, 3000K, Narrow Spot **XMA10930NST**

2" Standard White Trim **X2TRASWH**

Candela Distribution



Luminous Intensity

	0°
0°	5411
5°	4598
10°	2835
15°	1398
20°	715
25°	385
30°	193
35°	96
40°	53
45°	33
50°	21
55°	15
60°	13
65°	11
70°	8
75°	6
80°	4
85°	2
90°	1

Zonal Lumen Summary

Zone	Lumens	Luminaire %
0° - 30°	890	90%
0° - 40°	944	95%
0° - 60°	978	98%
0° - 90°	994	100%
0° - 180°	994	100%

Illuminance Chart

Distance from LED	Foot Candles	Diameter
3 ft	601.2 fc	1.1 ft
6 ft	150.3 fc	2.2 ft
9 ft	66.8 fc	3.3 ft
12 ft	37.6 fc	4.4 ft

Input Watts: **12.0 W**

Lumens: **994 lm**

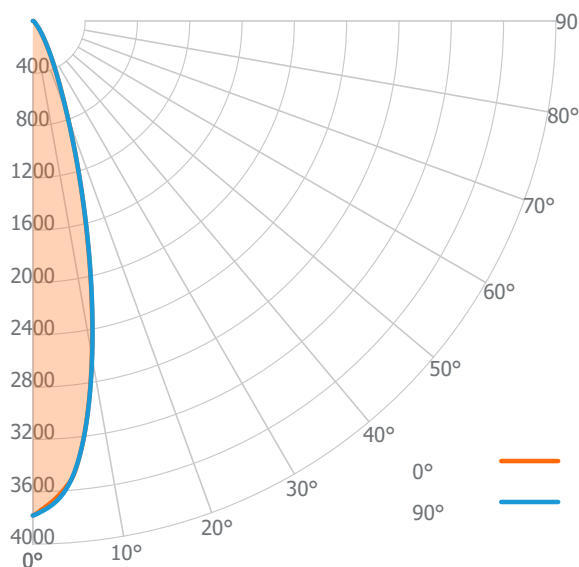
Efficacy: **83 lm/W**

Beam Angle: **21° x 20°**

1000 lm, 3000K, Spot **XMA10930SPT**

2" Standard White Trim **X2TRASWH**

Candela Distribution



Luminous Intensity

	0°
0°	3782
5°	3500
10°	2603
15°	1537
20°	780
25°	400
30°	212
35°	115
40°	62
45°	35
50°	22
55°	16
60°	14
65°	12
70°	9
75°	7
80°	4
85°	2
90°	1

Zonal Lumen Summary

Zone	Lumens	Luminaire %
0° - 30°	849	88%
0° - 40°	913	94%
0° - 60°	949	98%
0° - 90°	967	100%
0° - 180°	967	100%

Illuminance Chart

Distance from LED	Foot Candles	Diameter
3 ft	420.2 fc	1.4 ft
6 ft	105.0 fc	2.8 ft
9 ft	46.7 fc	4.2 ft
12 ft	26.3 fc	5.7 ft

Input Watts: **12.0 W**

Lumens: **967 lm**

Efficacy: **81 lm/W**

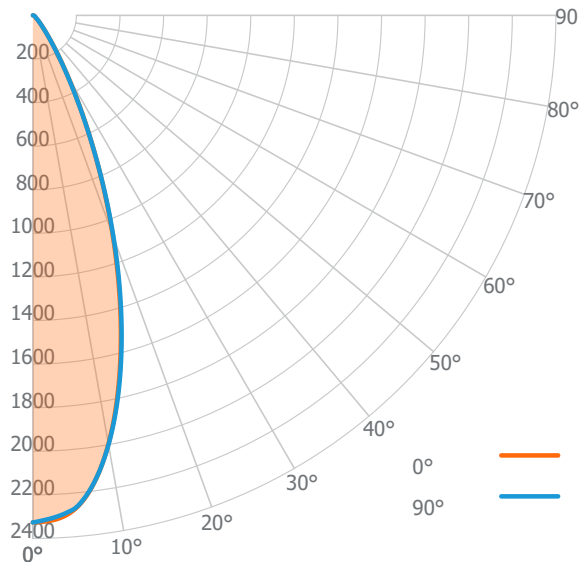
Beam Angle: **27° x 27°**

PHOTOMETRY

1000 lm, 3000K, Flood **XMA10930FLT**

2" Standard White Trim **X2TRASWH**

Candela Distribution



Luminous Intensity

	0°
0°	2326
5°	2270
10°	1998
15°	1561
20°	1072
25°	629
30°	319
35°	149
40°	72
45°	38
50°	21
55°	15
60°	12
65°	11
70°	9
75°	6
80°	4
85°	2
90°	1

Zonal Lumen Summary

Zone	Lumens	Luminaire %
0° - 30°	843	86%
0° - 40°	925	95%
0° - 60°	961	98%
0° - 90°	977	100%
0° - 180°	977	100%

Illuminance Chart

Distance from LED	Foot Candles	Diameter
3 ft	258.5 fc	2.1 ft
6 ft	64.6 fc	4.1 ft
9 ft	28.7 fc	6.2 ft
12 ft	16.2 fc	8.3 ft

Input Watts: **12.0 W**

Lumens: **977 lm**

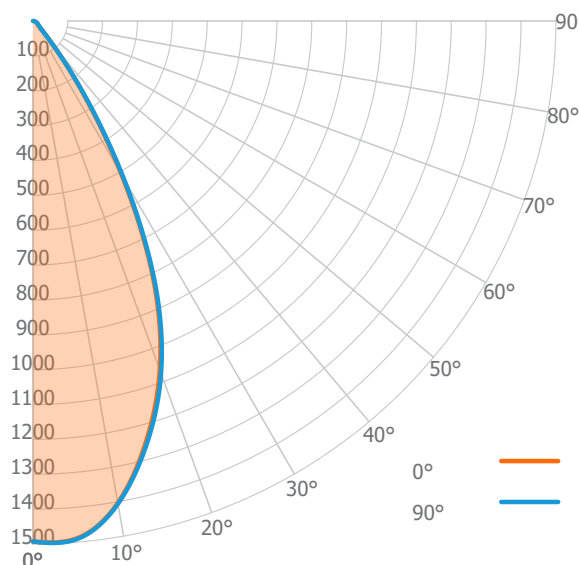
Efficacy: **81 lm/W**

Beam Angle: **38° x 38°**

1000 lm, 3000K, Wide Flood **XMA10930WFT**

2" Standard White Trim **X2TRASWH**

Candela Distribution



Luminous Intensity

	0°
0°	1493
5°	1488
10°	1404
15°	1252
20°	1065
25°	819
30°	510
35°	245
40°	95
45°	38
50°	23
55°	17
60°	15
65°	13
70°	10
75°	7
80°	5
85°	3
90°	1

Zonal Lumen Summary

Zone	Lumens	Luminaire %
0° - 30°	781	80%
0° - 40°	914	94%
0° - 60°	956	98%
0° - 90°	976	100%
0° - 180°	976	100%

Illuminance Chart

Distance from LED	Foot Candles	Diameter
3 ft	165.9 fc	3.0 ft
6 ft	41.5 fc	5.9 ft
9 ft	18.4 fc	8.9 ft
12 ft	10.4 fc	11.8 ft

Input Watts: **12.3 W**

Lumens: **976 lm**

Efficacy: **79 lm/W**

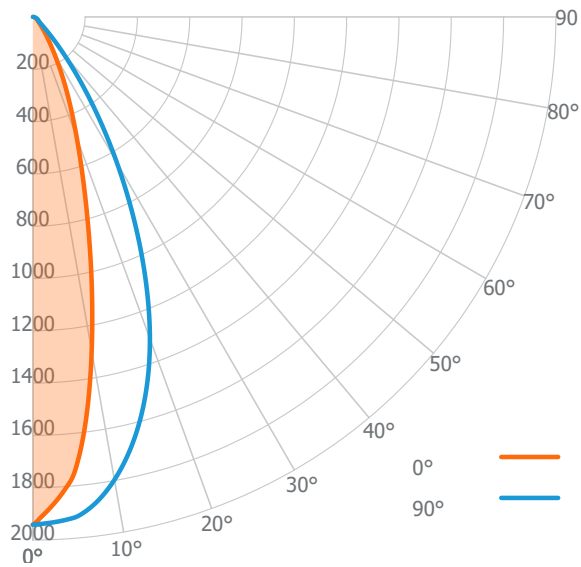
Beam Angle: **52° x 52°**

PHOTOMETRY

1000 lm, 3000K, Linear Spread **XMA10930LST**

2" Standard White Trim **X2TRASWH**

Candela Distribution



Luminous Intensity

Angle	Luminous Intensity (cd)
0°	1941
5°	1763
10°	1296
15°	812
20°	491
25°	297
30°	169
35°	98
40°	59
45°	39
50°	27
55°	20
60°	17
65°	14
70°	11
75°	8
80°	5
85°	3
90°	1

Zonal Lumen Summary

Zone	Lumens	Luminaire %
0° - 30°	724	78%
0° - 40°	848	91%
0° - 60°	906	97%
0° - 90°	931	100%
0° - 180°	931	100%

Illuminance Chart

Distance from LED	Foot Candles	Diameter
3 ft	215.7 fc	1.4 ft
6 ft	53.9 fc	2.8 ft
9 ft	24.0 fc	4.2 ft
12 ft	13.5 fc	5.6 ft

Input Watts: **12.0 W**

Lumens: **931 lm**

Efficacy: **78 lm/W**

Beam Angle: **26° x 50°**