

H Series Cylinder

Wall Mount

| | |
|---------------|-------|
| Project: | Type: |
| Product Code: | Date: |

V111423



ADA Compliant Wall Mount Cylinder that mounts with ease while maintaining a low profile

Integrated Brightness Switch allows you to adjust the lumen output based on wall mounting height and illuminance needs

Inviting Accent Light perfect for any exterior or interior environment

Natural Warm Dim options provide a comfortable white light at full brightness that transitions to a relaxing sunset effect at lower dimming levels

CYLINDER

Mount

Wall Mount

Size

Diameter: 3.5"

Height: 6.5"

Trims

Standard Trim Only

Finish

White, Black

LIGHT OUTPUT & DISTRIBUTION


Lumens (Power)

Integrated Brightness Switch
350 lm (5W), 750 lm (9W), 950 lm (12W)

Color Quality

90+ CRI, 3-step SDCM

Color Temperature

 Natural Warm Dim (3000K-2200K)

 Natural Warm Dim (2700K-1800K)

Beam Spread

 General Ambient (90°+)

Lighting Type



Downlight

Warranty

5 year limited warranty; 50,000 hours

POWER & CONTROLS

Input Voltage

120 V

5% Dimming

TRIAC/ELV

Mounting

2-Gang Switch Boxes
Most 3O, 4O, 4R & 4S Junction boxes

RATINGS

 Wet Location / IP65 Rated

 NSF Listed



PRODUCT BUILDER

| | | | |
|-----------------|------------------------------------|--|-----------------------|
| CYLINDER | <input type="text" value="HCW6B"/> | HCW6B H Series Cylinder, Wall Mount | |
| CCT | <input type="text"/> | 3C 3000K–2200K | 2C 2700K–1800K |
| FINISH | <input type="text"/> | WH White | BK Black |

SUMMARY

WARM DIM

| | |
|-----------------------|---|
| CCT | 3000K–2200K, 2700K–1800K |
| LUMENS (POWER) | Up to 950 lm - Selectable 350 lm (5W), 750 lm (9W), 950 lm (12W) |
| EFFICACY | 70 lm/W, 60 lm/W, 67 lm/W |
| COLOR QUALITY | 90+ CRI ¹ , 3-step SDCM |
| BEAM SPREAD | General Ambient (90°+) |
| DIMMING | TRIAC/ELV (120V) 5% |
| LED CHIP | Bridgelux |
| LISTINGS | Energy Star Qualified ² , California Title 24 2016-2022 JA8-E Compliant, UL Listed for Wet Location, UL Certified US-CA, Declare, RoHS Compliant, NSF/ANSI 2 listed, suitable for splash-zone ³ |

¹ Tested in accordance to IESNA LM-79-2008

² Refer to ENERGY STAR Certified light fixtures database

³ This product has been evaluated in accordance to NSF/ANSI 2 for Splash Zones having designated trim finishes. Complies with standard black and white finishes only.

ADDITIONAL

INPUT VOLTAGE: 120V

MAX INPUT CURRENT (120V): 0.105 amps

POWER FACTOR: Greater than 0.9

TOTAL HARMONIC DISTORTION: Less than 20%

AMBIENT OPERATING TEMPERATURE: -20°C to 40°C

LIFETIME: 50,000 hours at 70% lumen maintenance

WARRANTY: 5 year limited warranty

CYLINDER: Extruded aluminum

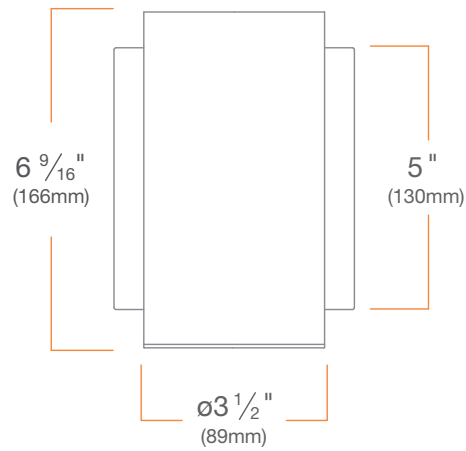
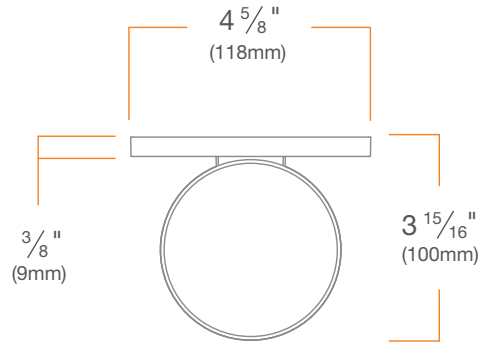
SIZE: 6.5"

FINISH: White, Black

INSTALLATION: Standard bracket compatible with two-gang, 3" octagonal, 3" round metallic, 3" round non-metallic old work, 4" octagonal, 4" round, and 4" square junction boxes

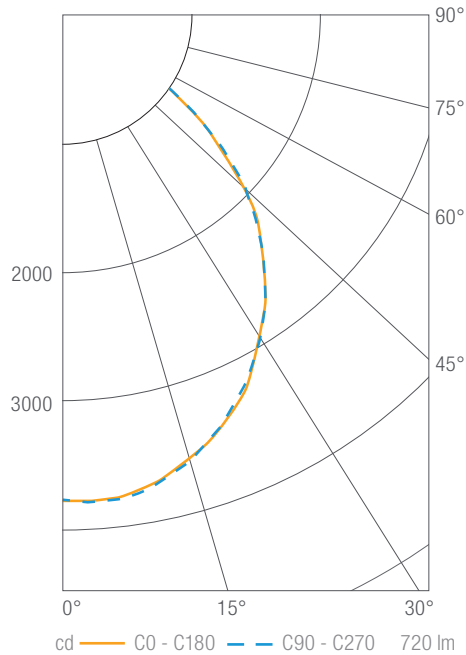
6.5" Wall Mount

HCW6B



PHOTOMETRY

HCW6B3CWH 750 lm, 9W, 3000K-2200K



Luminous Intensity

| Gamma | C 0° |
|-------|--------|
| 0° | 376.75 |
| 5° | 378.31 |
| 10° | 373.36 |
| 15° | 362.22 |
| 20° | 348.13 |
| 25° | 329.47 |
| 30° | 304.83 |
| 35° | 276.66 |
| 40° | 244.69 |
| 45° | 209.15 |
| 50° | 165.86 |
| 55° | 112.49 |
| 60° | 61.3 |
| 65° | 33.55 |
| 70° | 20.42 |
| 75° | 12.68 |
| 80° | 7.53 |
| 85° | 3.24 |
| 90° | 0.72 |

Values in candela

Zonal Lumen Summary

| Zone | Lumens | Luminaire % |
|-------|--------|-------------|
| 0-30 | 277 | 39 |
| 0-40 | 435 | 60 |
| 0-60 | 671 | 93 |
| 0-90 | 720 | 100 |
| 0-180 | 720 | 100 |

Illuminance Chart

| Distance from LED | Foot Candles | Diameter |
|-------------------|--------------|----------|
| 3' | 42 | 6.5' |
| 6' | 10 | 13' |
| 9' | 5 | 19.5' |
| 12' | 3 | 26' |

Beam Angle: 94°