

# H Series

Project:	Type:
Product Code:	Date:

V 100124



## Residential Lighting

**A Whole Home Solution** Brilliant illumination and reliable performance for your entire home

**Brightness Switch** Easily select level of illumination with the flip of a switch

**True to Life Colors** Accurate color rendering means people and home finishes look great

**Natural Warm Dim** Comfortable white light for accurate illumination at full brightness that transitions to a relaxing sunset effect at lower dimming levels

### INSTALLATION

#### Ceiling Thickness

New Construction: 5/8"  
Remodel: 5/8" up to 1 1/4"

#### Ceiling Material

Drywall

### TRIMS

#### Aperture

4", 3"

#### Style

Round, Square, Flush, Adjustable

#### Finish

White, Black

### LIGHT OUTPUT & DISTRIBUTION

#### Module

Downlight



#### Lumens (Power)

Integrated Brightness Switch  
350 lm (5W), 750 lm (9W), 950lm (12W)

#### Color Quality

90+ CRI, 3-step SDCM

#### Color Temperature

-  Natural Warm Dim (3000K-2200K)
-  Natural Warm Dim (2700K-1800K)

#### Beam Spread

 General (90°+)

#### Warranty

5 year limited warranty; 50,000 hours

### POWER & CONTROLS

#### Input Voltage




120 V

#### Dimming



TRIAC/ELV (5%)

### RATINGS & CERTIFICATIONS

#### Housing

-  IC (Insulation Contact) Rated
-  ASTM E283 Certified Air Tight
-  RoHS Compliant

#### Module and Trim

-  UL Listed for Wet Location (Adjustable Trim Damp Only)
-  NSF Listed (White and Black Finish Only)



## PRODUCT BUILDER - INTEGRATED TRIAC/ELV

### HOUSING

PRODUCT CODE		APPLICATION	
<input type="text"/>		<input type="text"/>	
<b>H4</b>	4" Housing	<b>BH</b>	New Construction with Bar Hangers <sup>1</sup>
<b>H3</b>	3" Housing	<b>SO</b>	New Construction with Screws
		<b>RM</b>	Remodel

<sup>1</sup> 8" - 24" adjustable bar hangers

### H MODULE

PRODUCT CODE		CCT	
<input type="text"/>		<input type="text"/>	
<b>HM</b>	90+ CRI General Ambient with Brightness Switch <i>Brightness Switch: 950 lm, 750 lm, or 350 lm</i>	<b>2C</b>	2700K-1800K
		<b>3C</b>	3000K-2200K

### TRIM

PRODUCT CODE		SHAPE		STYLE		FINISH	
<input type="text"/>		<input type="text"/>		<input type="text"/>		<input type="text"/>	
<b>H4T</b>	4" Trim	<b>R</b>	Round	<b>S</b>	Recessed	<b>WH</b>	White
<b>H3T</b>	3" Trim	<b>S</b>	Square <sup>2</sup>	<b>F</b>	Flush	<b>BK</b>	Black
				<b>A</b>	Adjustable <sup>3</sup>		

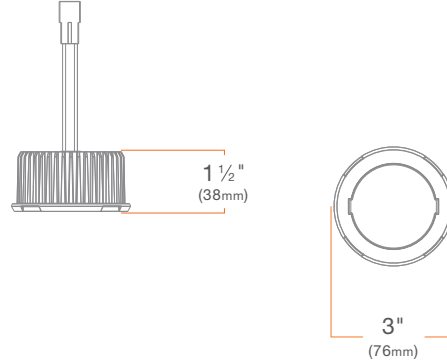
<sup>2</sup> Only available in Recessed style

<sup>3</sup> 4" max tilt: 40°; 3" max tilt: 30°, not compatible with 3" Remodel housing, damp listed only

### HOUSING COMPATIBILITY

The H Series luminaire recessed housings (H4BH, H4SO, H4RM, H3BH, H3SO, H3RM) are UL Certified and intended for use with the H Series HM3C module or other certified 4" retrofit conversion kits (light source) that meet the following criteria: maximum height 3-3/8", maximum wattage 13W.

## MODULE



## SUMMARY

### WARM DIM

<b>CCT</b>	3000K - 2200K, 2700K - 1800K
<b>LUMENS (POWER)</b>	Brightness Switch 350 lm (5W), 750 lm (9W), 950lm (12W)
<b>EFFICACY</b>	70 lm/W, 83 lm/W, 79 lm/W
<b>COLOR QUALITY</b>	90+ CRI <sup>1</sup> , 3-step SDCM
<b>BEAM SPREAD</b>	General Ambient (90°)
<b>DIMMING</b>	TRIAC/ELV
<b>LED CHIP</b>	Bridgelux
<b>LISTINGS</b>	ENERGY STAR® Qualified <sup>2</sup> , California Title 24 2016-2022 JA8-E compliant, UL Listed for Wet Location, UL Certified US-CA, Declare, RoHS compliant, NSF/ANSI 2 listed, Suitable for splash-zone <sup>3</sup>

<sup>1</sup> Tested in accordance to IESNA LM-79-2008

<sup>2</sup> Refer to ENERGY STAR Certified light fixtures database

<sup>3</sup> This product is evaluated in accordance to NSF/ANSI 2 for Splash Zones having designated trim finishes.

## ADDITIONAL

**INPUT VOLTAGE:** 120V, 50/60Hz

**MAX INPUT CURRENT (120V):** 0.13 amps

**CONNECTOR:** PowerPlug® Luminaire Disconnect Model 182

**POWER FACTOR:** Greater than 0.9

**TOTAL HARMONIC DISTORTION:** Less than 20%

**AMBIENT OPERATING TEMPERATURE:** -20°C to 40°C

**WARRANTY:** 5 year limited warranty; 50,000 hours at 70% lumen maintenance

## HOUSING



## H Series

New Construction

**H4BH (4"), H3BH (3")**

### SUMMARY

#### JUNCTION BOX:

**H4BH** Equipped with 6 knockouts: two 1/2" trade size knockouts and four romex knockouts on top: Approved for 8 (four in, four out) #12 AWG 70°C

**H3BH** Equipped with 4 knockouts two 1/2" trade size knockouts and two romex knockouts on top: Approved for 8 (four in, four out) #12 AWG 70°C

**BAR HANGER MOUNTING:** Pre-installed mounting brackets allow for adjustment between 14 5/8" and 24" joist spacing and come equipped with nails compatible with wood joist installation

**CEILING THICKNESS RANGE:** 1/8" up to 5/8"

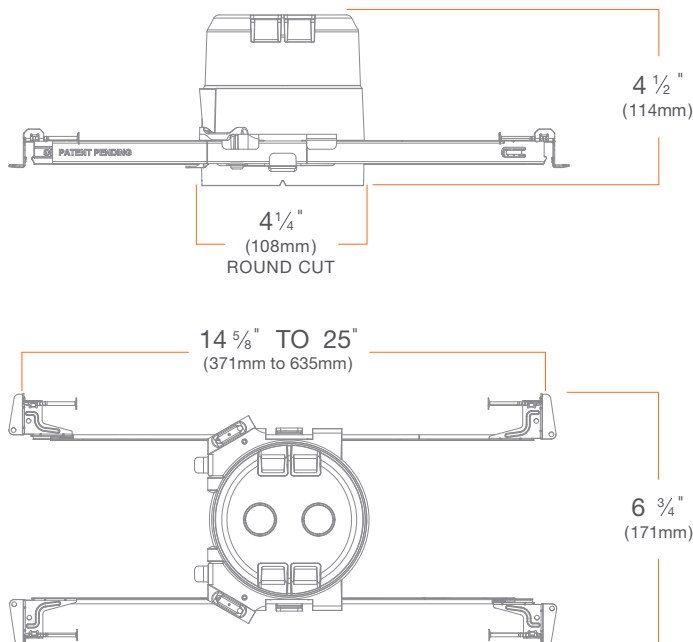
**CUTOUT:** 4 1/4" (108mm) and 3 1/2" (88 mm) round opening

**LISTINGS:** ASTM E283 certified Air Tight, IC (Insulation Contact) rated

**WARRANTY:** 5 year limited warranty

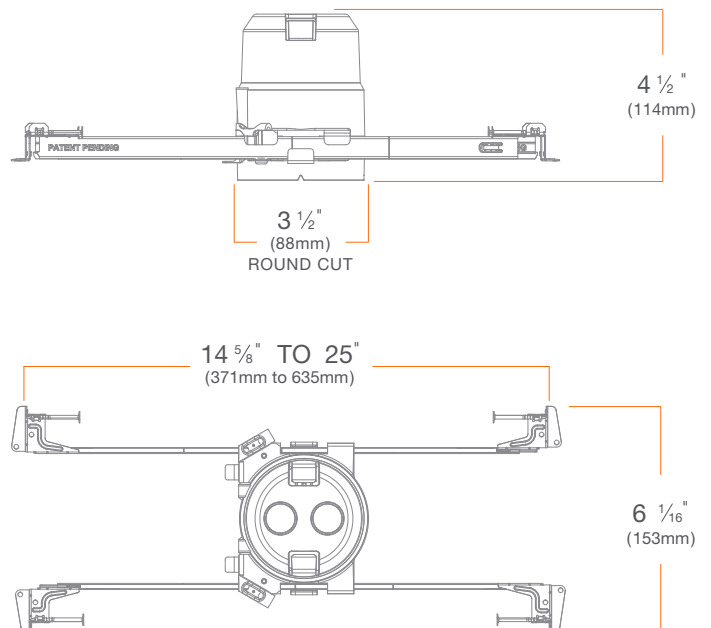
## 4" New Construction

### H4BH



## 3" New Construction

### H3BH



HOUSING



# H Series

Remodel

**H4RM (4"), H3RM (3")**

SUMMARY

**JUNCTION BOX:**

**H4RM** Equipped with 6 knockouts: two 1/2" trade size knockouts and four romex knockouts on top: Approved for 8 (four in, four out) #12 AWG 70°C

**H3RM** Equipped with 4 knockouts two 1/2" trade size knockouts and two romex knockouts on top: Approved for 8 (four in, four out) #12 AWG 70°C

**MOUNTING:** Pre-installed mounting spring clips

**CEILING THICKNESS RANGE:** 5/8" up to 1 1/4"

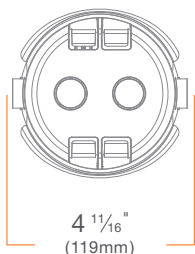
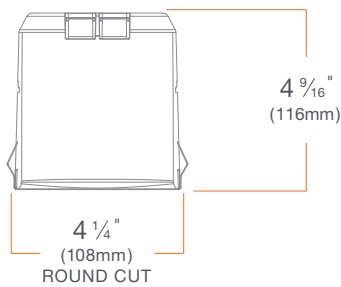
**CUTOUT:** 4 1/4" (114mm) and 3 5/8" round opening

**LISTINGS:** ASTM E283 certified Air Tight, IC (Insulation Contact) rated

**WARRANTY:** 5 year limited warranty

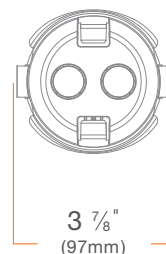
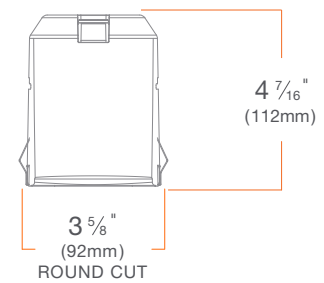
## 4" Remodel

**H4RM**



## 3" Remodel

**H3RM**



HOUSING



# H Series

Wood Screw

**H4SO (4"), H3SO (3")**

SUMMARY

**JUNCTION BOX:**

**H4SO** Equipped with 6 knockouts: two 1/2" trade size knockouts and four romex knockouts on top: Approved for 8 (four in, four out) #12 AWG 70°C

**H3SO** Equipped with 4 knockouts two 1/2" trade size knockouts and two romex knockouts on top: Approved for 8 (four in, four out) #12 AWG 70°C

**MOUNTING:** Pre-installed mounting wood screws

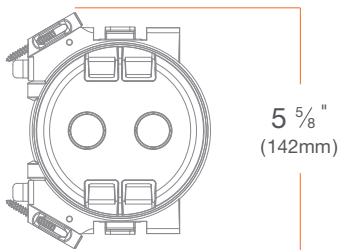
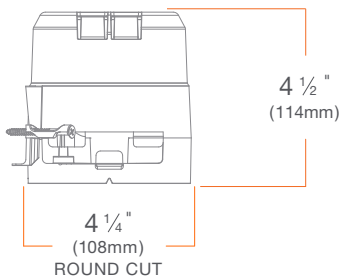
**CUTOUT:** 4 1/4" (114mm) and 3 1/2" (88mm) round opening

**LISTINGS:** ASTM E283 certified Air Tight, IC (Insulation Contact) rated

**WARRANTY:** 5 year limited warranty

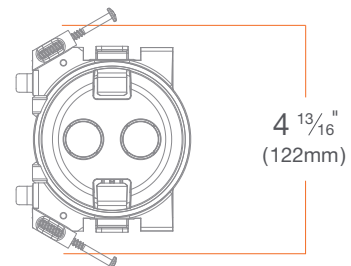
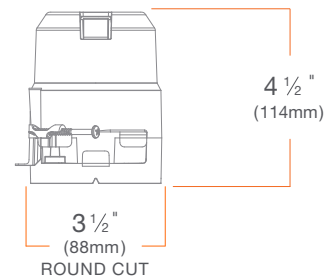
## 4" Wood Screw

**H4SO**



## 3" Wood Screw

**H3SO**



TRIMS



# H Series

4" Trims

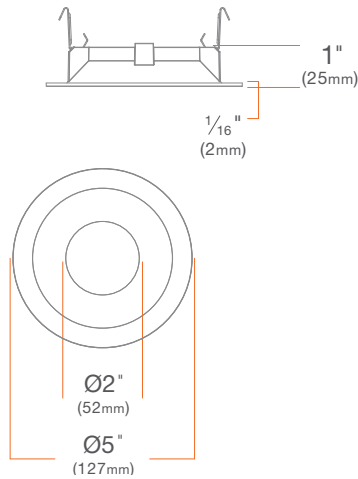
**H4TR**

SUMMARY

**CONSTRUCTION:** Die-cast aluminum

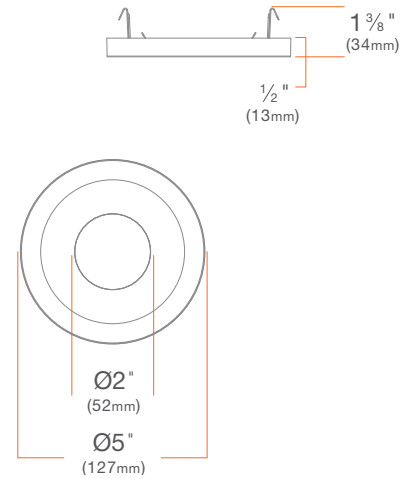
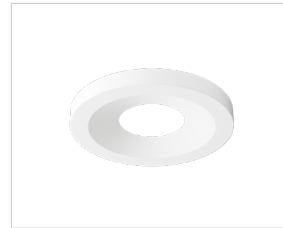
## 4" Round

**H4TRSWH**



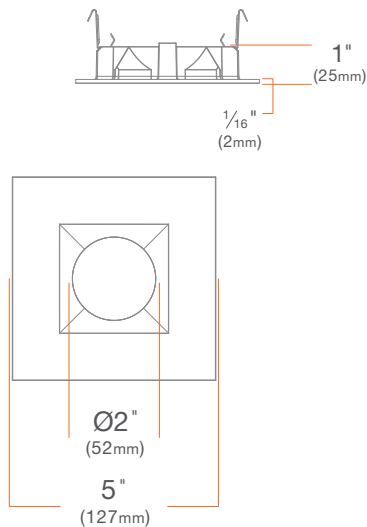
## 4" Flush

**H4TRFWH**



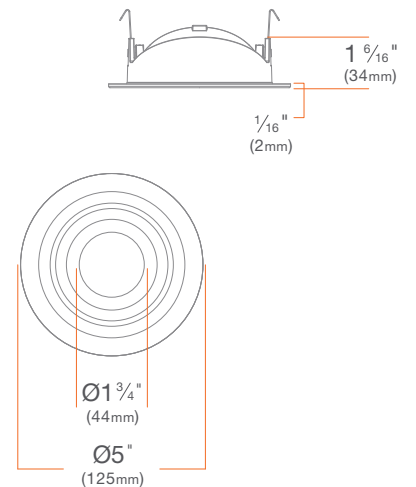
## 4" Square

**H4TSSWH**

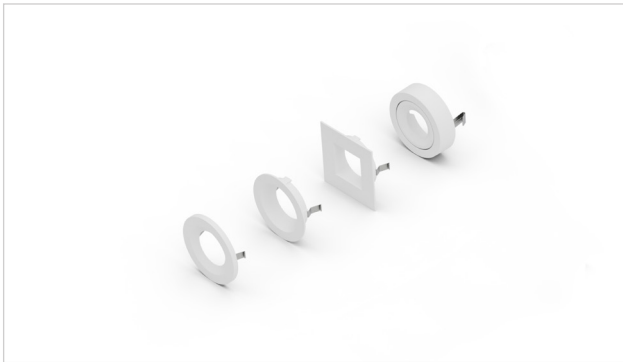


## 4" Adjustable

**H4TRAWH**



TRIMS



# H Series

3" Trims

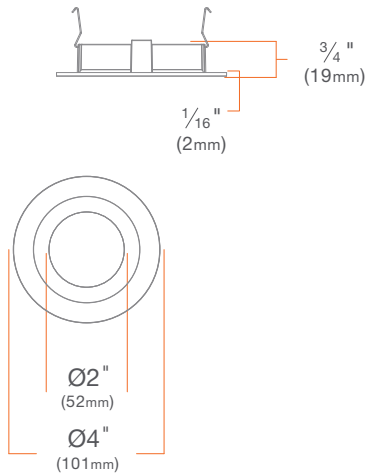
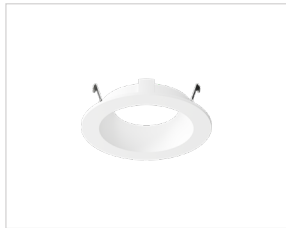
**H3TR**

SUMMARY

**CONSTRUCTION:** Die-cast aluminum

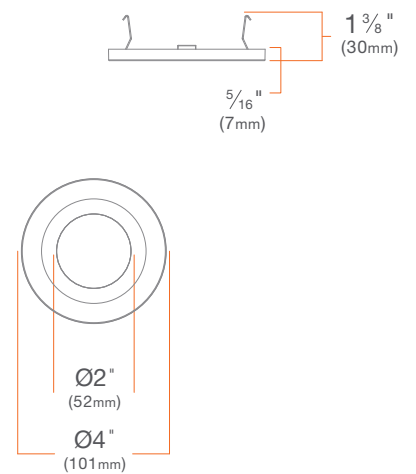
## 3" Round

**H3TRSWH**



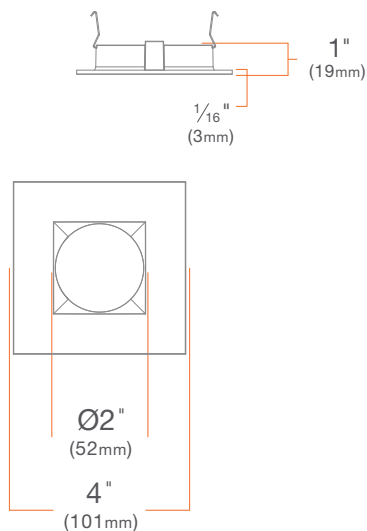
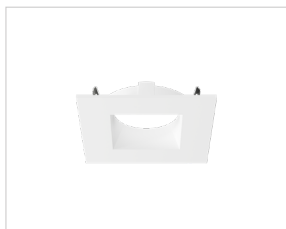
## 3" Flush

**H3TRFWH**



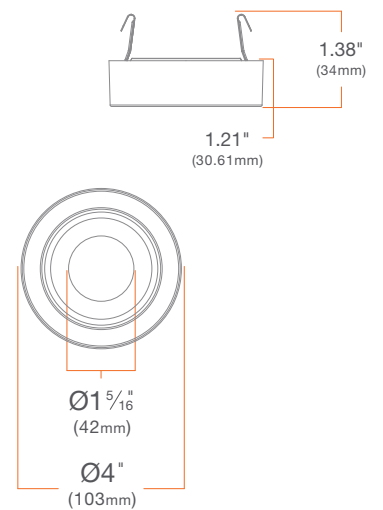
## 3" Square

**H3TSSWH**



## 3" Adjustable

**H3TRAWH**

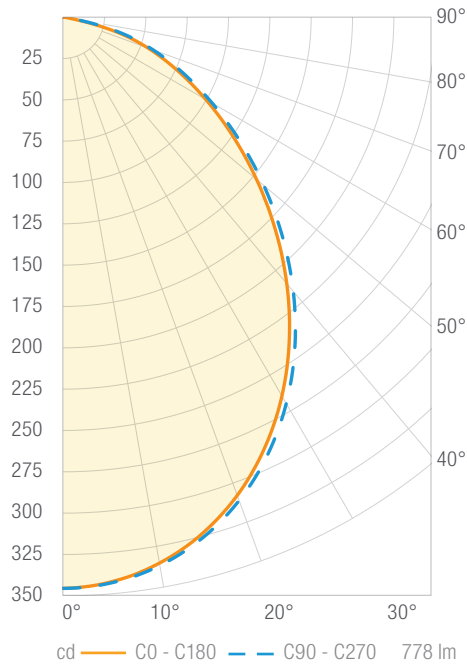




PHOTOMETRY

**HM3C 750 lm**

H3TRFWH



Luminous Intensity

Gamma	C 0°
0°	348
5°	345
10°	339
15°	328
20°	313
25°	293
30°	271
35°	245
40°	218
45°	189
50°	159
55°	130
60°	102
65°	74
70°	46
75°	18
80°	5
85°	1
90°	0

Values in candela

Zonal Lumen Summary

Zone	Lumens	Luminaire %
0-30	261	34
0-40	415	53
0-60	678	87
0-90	775	100
0-180	778	100

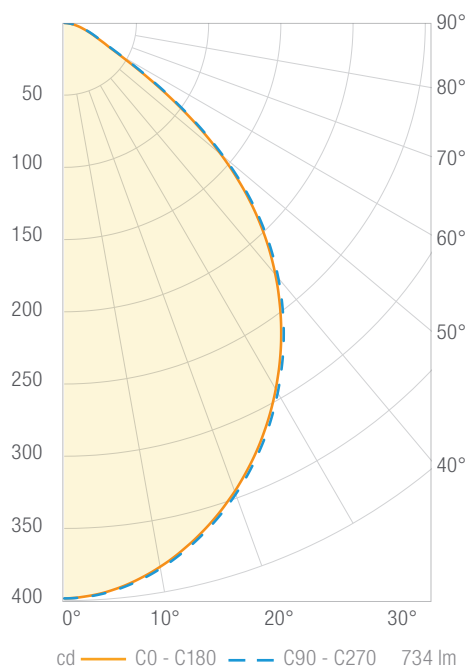
Illuminance Chart

Distance from LED	Foot Candles	Diameter
3'	38.6	6.6'
6'	9.7	13.2'
9'	4.3	19.8'
12'	2.4	26.5'

Beam Angle: 96° x 95°

**HM3C 750 lm**

H3TRSWH



Luminous Intensity

Gamma	C 0°
0°	398
5°	394
10°	382
15°	366
20°	345
25°	321
30°	293
35°	262
40°	227
45°	188
50°	142
55°	88
60°	44
65°	26
70°	18
75°	12
80°	7
85°	3
90°	0

Values in candela

Zonal Lumen Summary

Zone	Lumens	Luminaire %
0-30	290	39
0-40	455	62
0-60	686	93
0-90	731	100
0-180	734	100

Illuminance Chart

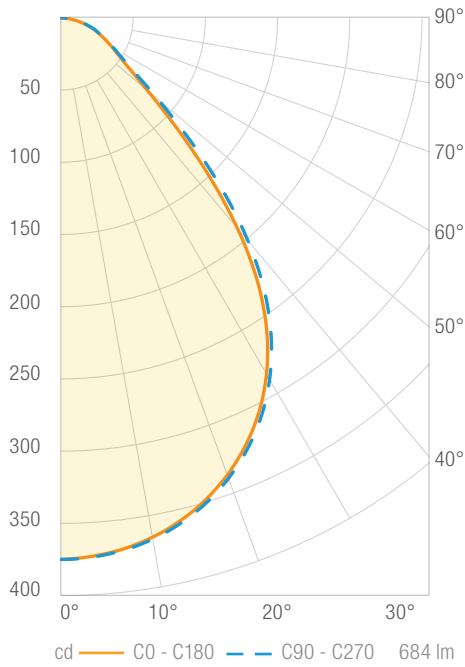
Distance from LED	Foot Candles	Diameter
3'	44.3	5.9'
6'	11.1	11.7'
9'	4.9	17.6'
12'	2.8	23.4'

Beam Angle: 89° x 88°

PHOTOMETRY

**HM3C 750 lm**

H3TSSWH



Luminous Intensity

Gamma	C 0°
0°	375
5°	372
10°	365
15°	354
20°	337
25°	314
30°	285
35°	245
40°	190
45°	127
50°	78
55°	53
60°	41
65°	32
70°	25
75°	18
80°	11
85°	4
90°	0

Values in candela

Zonal Lumen Summary

Zone	Lumens	Luminaire %
0-30	282	41
0-40	440	64
0-60	624	91
0-90	683	100
0-180	684	100

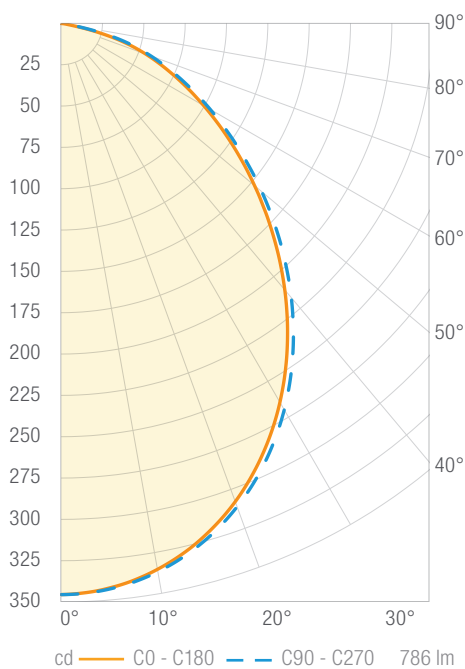
Illuminance Chart

Distance from LED	Foot Candles	Diameter
3'	41.7	5.2'
6'	10.4	10.4'
9'	4.6	15.5'
12'	2.6	20.7'

Beam Angle: 82° x 82°

**HM3C 750 lm**

H4TRFWH



Luminous Intensity

Gamma	C 0°
0°	346
5°	343
10°	335
15°	324
20°	308
25°	288
30°	265
35°	238
40°	210
45°	181
50°	153
55°	125
60°	100
65°	76
70°	55
75°	31
80°	5
85°	0
90°	0

Values in candela

Zonal Lumen Summary

Zone	Lumens	Luminaire %
0-30	259	33
0-40	411	52
0-60	670	85
0-90	784	100
0-180	786	100

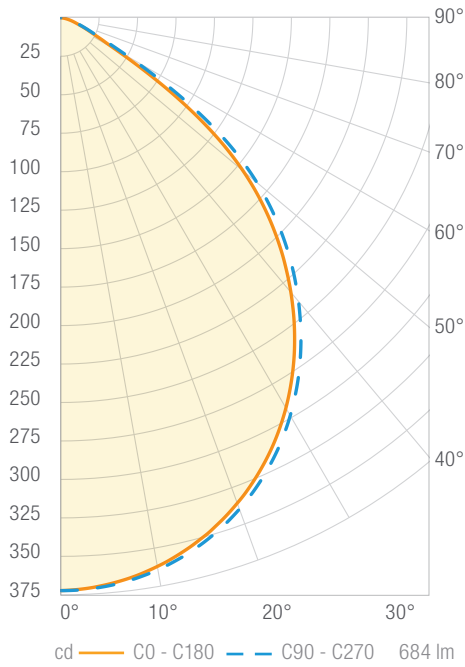
Illuminance Chart

Distance from LED	Foot Candles	Diameter
3'	38.4	6.4'
6'	9.6	12.9'
9'	4.3	19.3'
12'	2.4	25.7'

Beam Angle: 94° x 95°

**HM3C 750 lm**

**H4TRSWH**



**Luminous Intensity**

Gamma	C 0°
0°	372
5°	369
10°	362
15°	351
20°	336
25°	316
30°	293
35°	265
40°	233
45°	197
50°	155
55°	99
60°	42
65°	21
70°	12
75°	7
80°	4
85°	1
90°	0

Values in candela

**Zonal Lumen Summary**

Zone	Lumens	Luminaire %
0-30	282	38
0-40	451	61
0-60	707	95
0-90	742	100
0-180	744	100

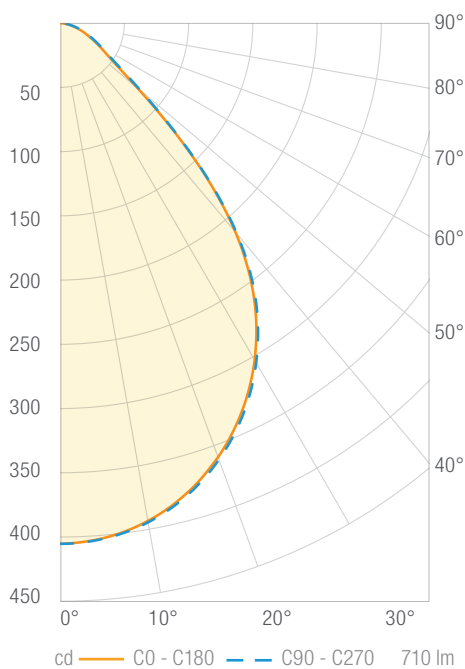
**Illuminance Chart**

Distance from LED	Foot Candles	Diameter
3'	41.4	6.5'
6'	10.3	13.0'
9'	4.6	19.5'
12'	2.6	26.0'

Beam Angle: 82° x 82°

**HM3C 750 lm**

**H4TSSWH**



**Luminous Intensity**

Gamma	C 0°
0°	405
5°	402
10°	393
15°	379
20°	360
25°	334
30°	303
35°	264
40°	212
45°	144
50°	79
55°	48
60°	35
65°	25
70°	18
75°	12
80°	7
85°	3
90°	0

Values in candela

**Zonal Lumen Summary**

Zone	Lumens	Luminaire %
0-30	300	42
0-40	469	66
0-60	661	93
0-90	708	100
0-180	710	100

**Illuminance Chart**

Distance from LED	Foot Candles	Diameter
3'	45.0	5.3'
6'	11.3	10.5'
9'	5.0	15.8'
12'	2.8	21.1'

Beam Angle: 83° x 82°