

Surface meets substance

The ultra-thin, exceptionally capable DRD5S
surface mount LED downlight





KEY FEATURES

- Disappears into the ceiling
- Clear, uniform light, no dark spots
- Ultra-thin form factor extends just 0.6" from the ceiling plane
- Snaps into place for easy installation that's completely flush with the ceiling
- Proprietary driver with smooth dimming capability down to 5%

NEW CONSTRUCTION AND RETROFIT:

MULTIFAMILY
SINGLE FAMILY
COMMERCIAL
HOSPITALITY

APPLICATIONS:

CORRIDORS
LOBBIES
KITCHENS
LIVING SPACES
BALCONIES
BATHROOMS
SHOWERS
BEDROOMS



Minimalist masterpiece

The DRD5S redefines what's possible for a surface mount downlight. Packed with technical breakthroughs, the ultra-thin DRD5S matches the elegance of a high-end recessed downlight. In addition, it's more versatile because it can fit more applications, even those with limited plenum space.

The innovations built into the DRD5S are not simply practical – they're beautiful as well. With a cutting-edge optoelectronic design, the DRD5S delivers the pure, smooth illumination that transforms spaces while disappearing into them.

As with all DMF products, the DRD5S has been thoughtfully engineered to save you time and money. It's extraordinarily efficient, and easy to install and maintain. When paired with the SurfaceFrame™, the DRD5S installs into just 2" of plenum space and meets the requirements of your most demanding environment. Simply put, the DRD5S combines the best aspects of recessed lighting and surface mounts into one remarkably small package.

See the light, not the fixture

The first time you turn on a DRD5S, you won't believe it's not a recessed downlight. Here's why:

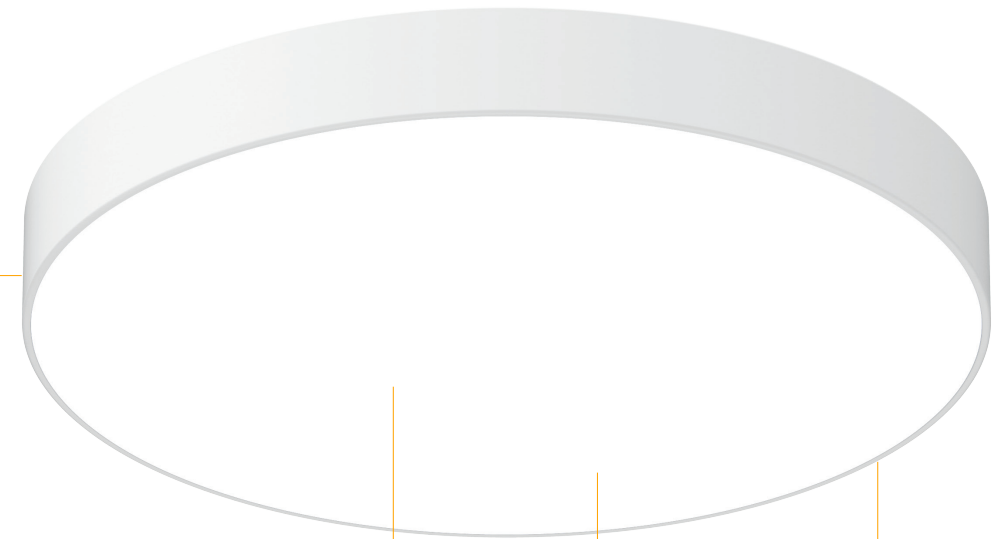
Compact and capable

Proprietary driver provides down to 1% dimming capability and simplifies maintenance



Premier quality light engine

90+ CRI LED comes standard, and produces up to 1000 lumens of exceptional light



Designed to disappear

Extends just 0.6" below the ceiling plane to minimize visual profile

Barely-there bezel

Elegant, minimal design blends seamlessly into the ceiling

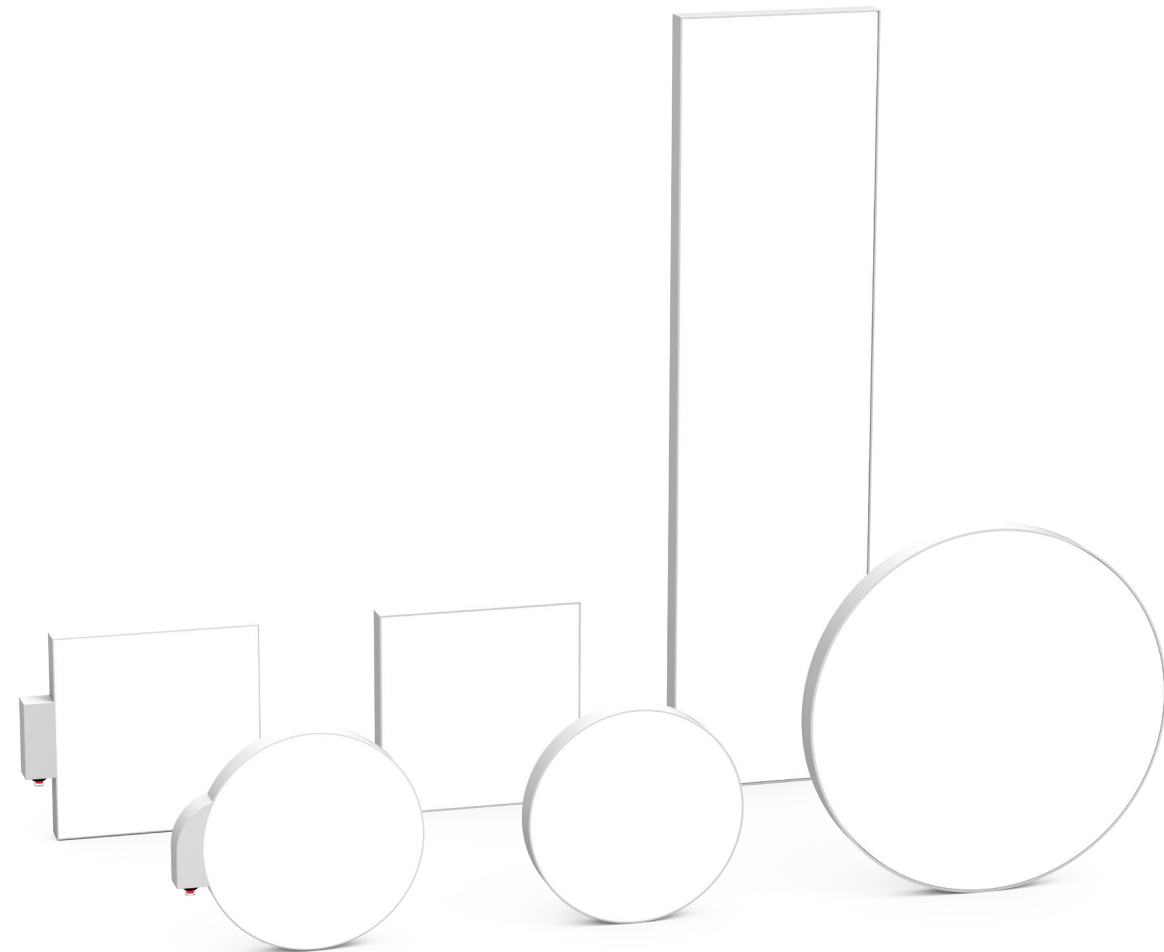
Flawless brilliance

Precisely optimized LED array delivers smooth, uniform illumination with no visible fasteners or dark spots

Clearly different

Specialized lens transmits clear, beautiful light with a subtle diffusion

DRD5S Series



Expanding on a great idea

The DRD5S's minimal design is available in multiple form factors, with 4" Round and Square matching the appearance of high-end recessed lights. The emergency lighting option features an integrated test switch to keep designs seamless.

More shapes, more light

Expand beyond the downlight and into the area. Perfect for kitchens, corridors, and anywhere that fewer power connections and higher light output is desired.



8" Round

This minimalist downlight takes everything that makes the original DRD5S exceptional, and expands on it. This area light can fill a room with inviting, accurate illumination. In addition, its SurfaceFrame compatibility simplifies installation and makes it totally interoperable with the rest of the DRD5S family.

18" Linear

A fresh take on the DRD5S, this linear area light delivers 1500 lumens of 90+ CRI light in a unique form factor. Like our other downlights in this series, the linear version features a proprietary integrated driver and small footprint, making it a great choice for retrofits and remodels.





Engineered to save you time and money

The DRD5S was engineered from the bottom up to cut costs without cutting corners. That's how we can deliver a recessed downlight feel with the convenience and cost of an all-in-one. From its highly efficient light engine to its amazingly simple installation process, the DRD5S is an excellent value at installation and for the entire life of the product.

Performance, simplicity, value

- ✓ Delivers the looks and performance of a recessed light at an affordable price
- ✓ Industry-leading efficiency – 83 lm/W
- ✓ ENERGY STAR qualified and CA Title 24 2016 JA8 compliant
- ✓ Rated for a long life – over 22 years* at 70% lumen maintenance
- ✓ Integrated driver simplifies maintenance or replacement



Multiple applications

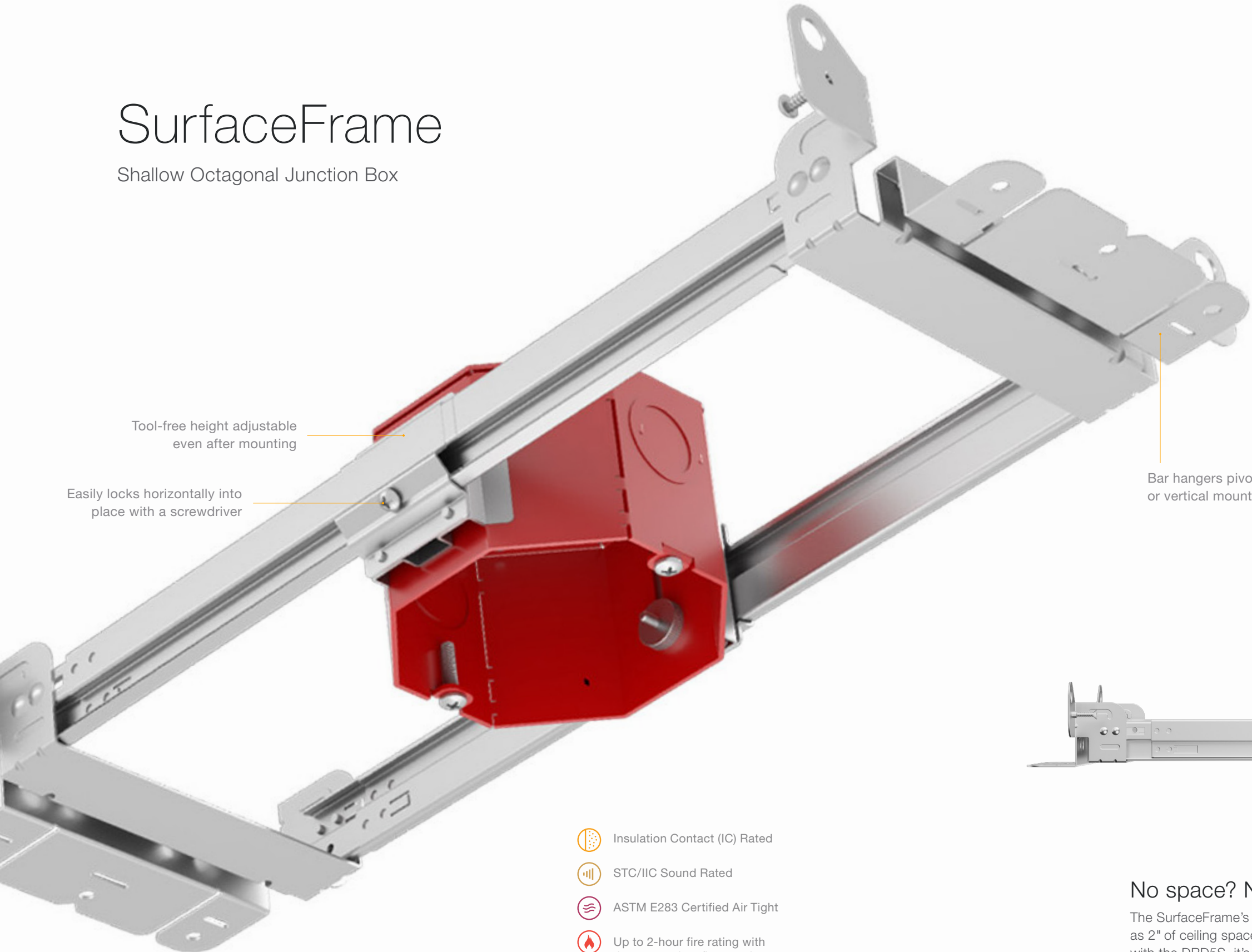
The DRD5S's refined appearance and remarkably thin form factor make it ideal for a huge range of applications from hotel hallways to home bathrooms to outdoor spaces. And when it's combined with the SurfaceFrame, the DRD5S can meet the requirements of your most demanding environment.



*Based on average six hours use per day.

SurfaceFrame

Shallow Octagonal Junction Box



Tool-free height adjustable even after mounting

Easily locks horizontally into place with a screwdriver

Bar hangers pivot for horizontal or vertical mounting

Fits in 2" plenum space when using 5/8" drywall



-  Insulation Contact (IC) Rated
-  STC/IIC Sound Rated
-  ASTM E283 Certified Air Tight
-  Up to 2-hour fire rating with the appropriate fire-rated assembly

Building on greatness

The SurfaceFrame™ is based on the award-winning OneFrame®, so it's just as easy to specify, install, and maintain. It includes ratings for fire, sound, air tight, and insulated contact, plus innovative features like tool-free height adjustments.

No space? No problem

The SurfaceFrame's ultra-low profile allows it to install in as little as 2" of ceiling space when 5/8" drywall is used. When paired with the DRD5S, it's ideal for areas with limited plenum space like closets and utility rooms.

Better together

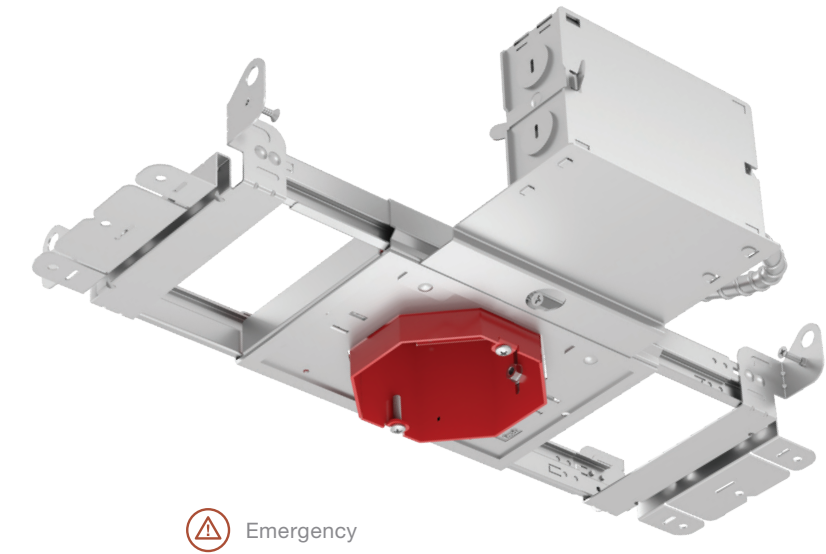
DRD5S and SurfaceFrame



 UL Listed for Wet Location

A perfect fit

Because the SurfaceFrame was specifically designed for the DRD5S, it delivers the perfect aperture for a tight, seamless fit. This minimizes the space and materials required for installation.



 Emergency

SurfaceFrame with emergency lighting

Pairing the DRD5S with a SurfaceFrame also allows for an emergency light option, which can provide lighting for up to 120 minutes after power failure – enough to meet common safety regulations like NFPA 101. The SurfaceFrame features a removable housing for simple driver maintenance without above-ceiling access required.



When the power's out, these lights stay on

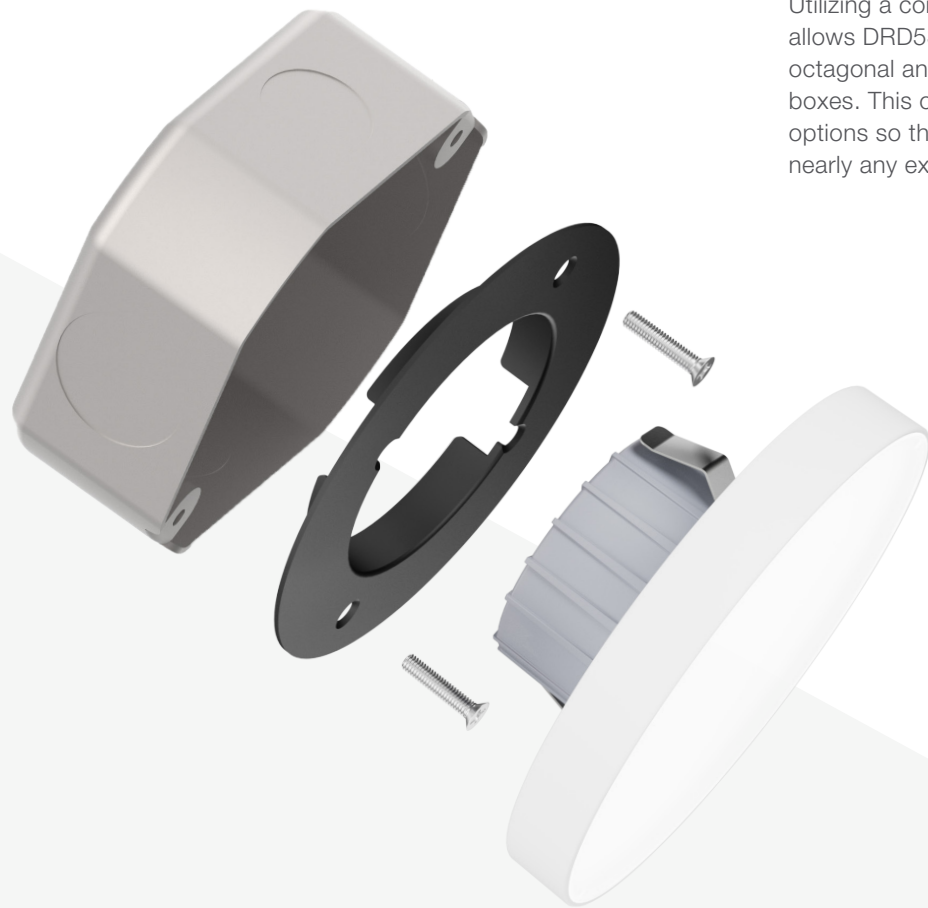
The DRD5S EM maintains the same minimal aesthetic and slim form factor as the standard DRD5S with the addition of an integrated test switch. This eliminates unsightly wall plates and maintains a seamless design that conceals the battery above the ceiling.

Compatibility by design

DRD5S is engineered to install into a wide range of junction boxes

More installation options

Utilizing a compact, integrated driver allows DRD5S to install into most metallic octagonal and non-metallic round junction boxes. This opens up greater installation options so that DRD5S can be retrofit into nearly any existing application.



Compatible junction boxes

JUNCTION BOX	MIN. DEPTH	MIN. VOLUME	THROUGH-WIRE RATING
SurfaceFrame Octagonal Junction Box	2 1/2"	20 in ³	6 (three in, three out) #12 AWG
4O Octagonal Junction Box (metallic)	2 1/8"	21.5 in ³	6 (three in, three out) #12 AWG
3O Round Junction Box (non-metallic)	2 3/4"	18 in ³	6 (three in, three out) #12 AWG
4O Round Junction Box (non-metallic)	2 3/16"	20 in ³	6 (three in, three out) #12 AWG



Make light work of installation

The DRD5S installs quickly, easily and flush with the ceiling every time

Step 1

Install SurfaceFrame or compatible junction box

Step 2

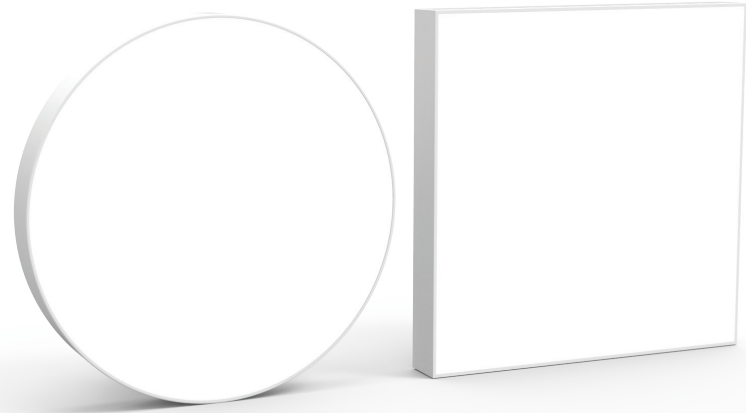
Attach the mounting bracket with just two screws and connect the module to power

Step 3

Snap the DRD5S into place (a push from just one finger will get the job done)

DRD5S

4" Surface Mount LED Downlight



Application New Construction, Retrofit	Compatible Housings SurfaceFrame, Metallic Octagonal or Non-Metallic Round Junction Box
Delivered Lumens 750 lm (9.0W), 1000 lm (12.0W)	Input Voltage 120V only (TRIAC/ELV), 120/277V (0-10V)
Color Quality 90+ CRI, < 3-step SDCM	Dimming TRIAC/ELV 5% 0-10V 1%
Shape 4" Round, 4" Square	Finish White
Color Temperatures 2700K 3000K 3500K	Emergency Lighting Optional Emergency LED Driver with integrated EM Test Switch for lighting up to 90 minutes in event of power failure
Standards 	Ratings <ul style="list-style-type: none"> UL Closet Rating Compliant (750 lm only) UL Listed for Wet Location
Guarantee 50,000 hrs 5 years	

Product Builder

HOUSING

PRODUCT CODE	APPLICATION	APERTURE	OPTION
DRDH	Housing	N New Construction	JO Octagonal Junction Box
			[Blank] Integrated Driver
			7OSEM EM Driver ¹ , 0-10V, 750 lm
			10OSEM EM Driver ¹ , 0-10V, 1000 lm

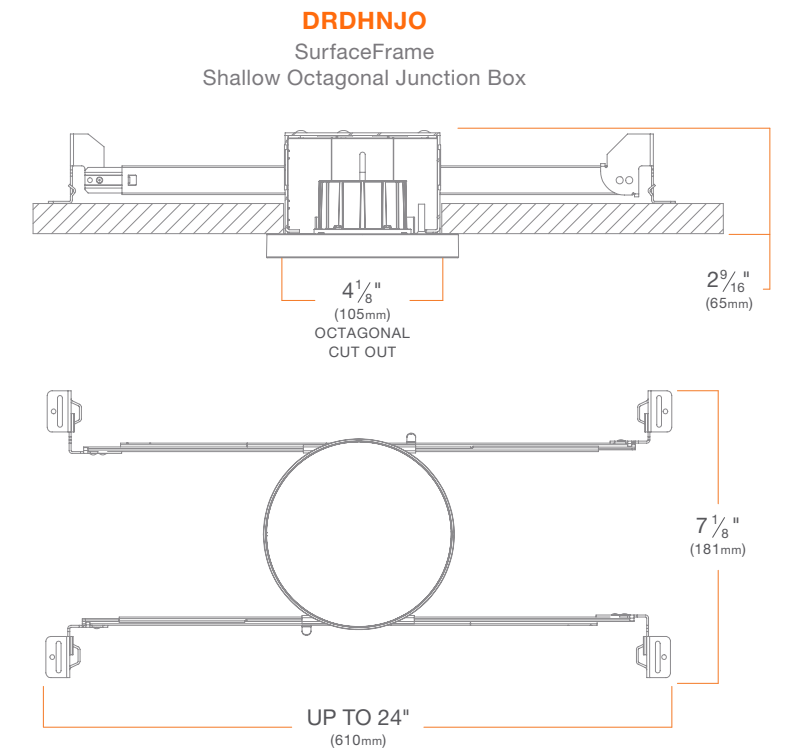
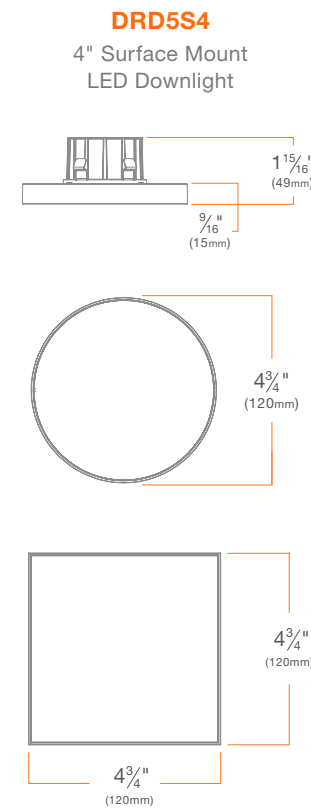
MODULE

PRODUCT CODE	DIMENSION	SHAPE	LUMENS	CRI	CCT	DRIVER
DRD5S	Module	4" 4" Width	R Round	07 750 lm	9 90+ CRI	27 2700K
			S Square	10 1000 lm		30 3000K
						35 3500K
						T Integrated TRIAC/ELV, 120V only
						O Integrated 0-10V, 120/277V
						TDF Integrated TRIAC/ELV, Non-Conductive ²
						ODF Integrated 0-10V, Non-Conductive ²
						EM Emergency ¹ w/ Test Switch

¹ EM option (housing) and Emergency driver (module) must be selected together

² Only available for Round shape, 750 lm, 2700 or 3000K CCT

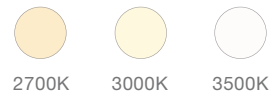


Dimensions



DRD5S

8" Round Surface Mount LED Area Light



Application New Construction, Retrofit	Compatible Housings SurfaceFrame, Metallic Octagonal or Non-Metallic Round Junction Box
Delivered Lumens 1500 lm (17W)	Input Voltage 120/277V
Color Quality 90+ CRI, < 3-step SDCM	Dimming TRIAC/ELV 5% 0-10V 1%
Shape 8" Round	Finish White
Color Temperatures  2700K 3000K 3500K	Emergency Lighting Optional Emergency LED Driver for lighting up to 90 minutes in event of power failure
Standards 	Ratings  Wet location
Guarantee 50,000 hrs 5 years	

Product Builder

HOUSING

PRODUCT CODE	APPLICATION	APERTURE	OPTION
<input type="text"/>	<input type="text"/>	<input type="text"/>	<input type="text"/>
DRDH Housing	N New Construction	JO Octagonal Junction Box	[Blank] Integrated Driver
			15OSEMS EM Driver ¹ , 0-10V, 1500 lm

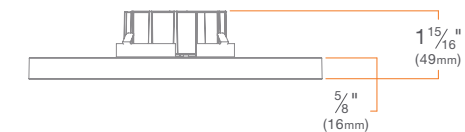
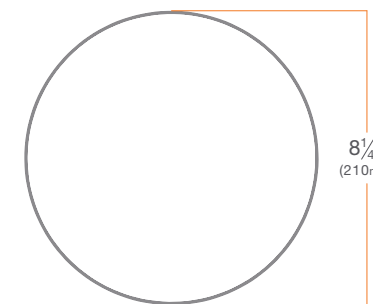
MODULE

PRODUCT CODE	DIMENSION	SHAPE	LUMENS	CRI	CCT	DRIVER
<input type="text"/>	<input type="text"/>	<input type="text"/>	<input type="text"/>	<input type="text"/>	<input type="text"/>	<input type="text"/>
DRD5S Module	8 8" Diameter	R Round	15 1500 lm	9 90+ CRI	27 2700K	[Blank] Integrated TRIAC/ELV
					30 3000K	O Integrated 0-10V
					35 3500K	A Alternate ¹

¹ EM option (housing) and Alternate driver (module) must be selected together

Dimensions




DRD5S 8" Round Surface Mount LED Module DRD5S8R



DRD5S

18" Linear Surface Mount LED Area Light



Application New Construction, Retrofit	Compatible Housings SurfaceFrame, Metallic Octagonal or Non-Metallic Round Junction Box
Delivered Lumens 1500 lm (17W)	Input Voltage 120/277V
Color Quality 90+ CRI, < 3-step SDCM	Dimming TRIAC/ELV 5% 0-10V 1%
Shape 18" x 4" Rectangle	Finish White
Color Temperatures  2700K 3000K 3500K	Emergency Lighting Optional Emergency LED Driver for lighting up to 90 minutes in event of power failure
Standards 	Ratings  Wet location
Guarantee 50,000 hrs 5 years	

Product Builder

HOUSING

PRODUCT CODE	APPLICATION	APERTURE	OPTION
<input type="text"/>	<input type="text"/>	<input type="text"/>	<input type="text"/>
DRDH	Housing	N New Construction	JO Octagonal Junction Box
			[Blank] Integrated Driver
			15OSEMS EM Driver ¹ , 0-10V, 1500 lm

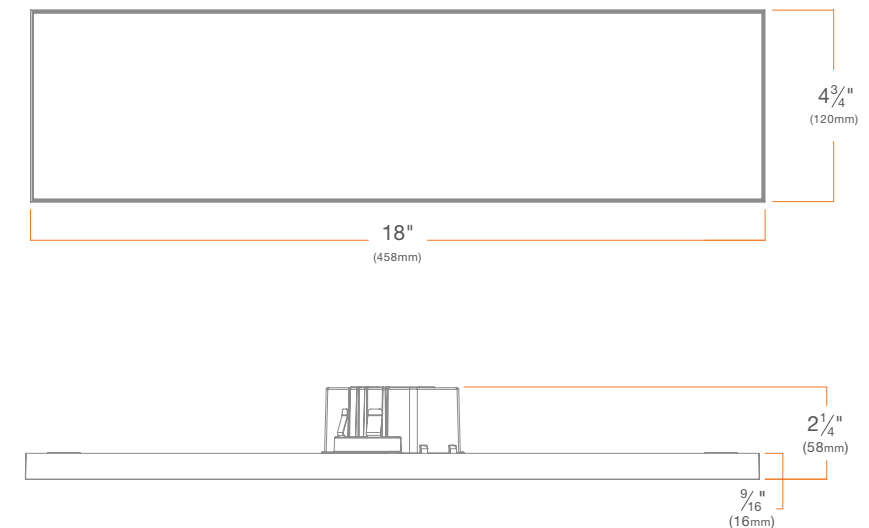
MODULE

PRODUCT CODE	DIMENSION	SHAPE	LUMENS	CRI	CCT	DRIVER
<input type="text"/>	<input type="text"/>	<input type="text"/>	<input type="text"/>	<input type="text"/>	<input type="text"/>	<input type="text"/>
DRD5S	Module	4 4" Width	L Linear	15 1500 lm	9 90+ CRI	27 2700K
						[Blank] Integrated TRIAC/ELV
						O Integrated 0-10V
						A Alternate ¹

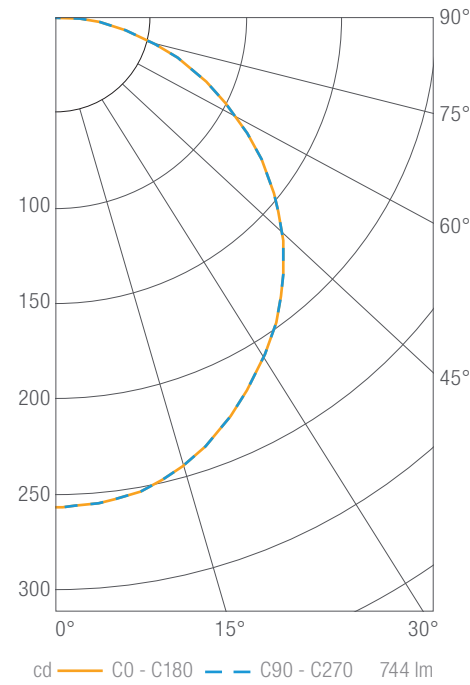
¹ EM option (housing) and Alternate driver (module) must be selected together

Dimensions

DRD5S 18" Linear Surface Mount LED Module DRD5S4L



DRD5S 4" Round, 750 lm, 90 CRI, 3000K DRD5S4R07930



Luminous Intensity

Gamma	C 0°
0°	258
5°	256
10°	253
15°	247
20°	237
25°	226
30°	213
35°	200
40°	185
45°	169
50°	151
55°	132
60°	113
65°	93
70°	73
75°	54
80°	35
85°	18
90°	6

Values in candela

Zonal Lumen Summary

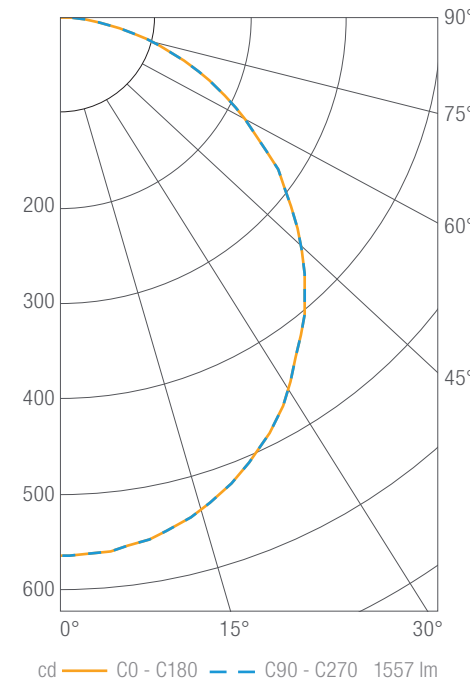
Zone	Lumens	Luminaire %
0-30	199	27
0-40	324	44
0-60	573	77
0-90	744	100
0-180	744	100

Illuminance Chart

Distance from LED	Foot Candles	Diameter
3.0'	29	8.8'
6.0'	7	17.7'
9.0'	3	26.5'
12.0'	2	35.3'

Beam Angle: 70°

DRD5S 8" Round, 1500 lm, 90 CRI, 3000K DRD5S8R15930



Luminous Intensity

Gamma	C 0°
0°	567
5°	564
10°	556
15°	542
20°	523
25°	499
30°	469
35°	433
40°	400
45°	360
50°	318
55°	279
60°	232
65°	189
70°	145
75°	100
80°	57
85°	25
90°	2

Values in candela

Zonal Lumen Summary

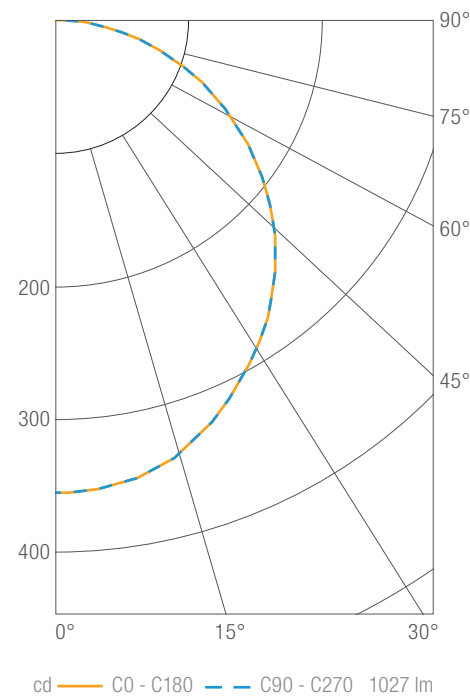
Zone	Lumens	Luminaire %
0-30	436	28
0-40	708	46
0-60	1234	79
0-90	1557	100
0-180	1557	100

Illuminance Chart

Distance from LED	Foot Candles	Diameter
3.0'	63	8.4'
6.0'	16	16.8'
9.0'	7	25.1'
12.0'	4	33.5'

Beam Angle: 110°

DRD5S 4" Round, 1000 lm, 90 CRI, 3000K DRD5S4R10930



Luminous Intensity

Gamma	C 0°
0°	356
5°	354
10°	349
15°	340
20°	327
25°	312
30°	294
35°	276
40°	255
45°	233
50°	209
55°	183
60°	155
65°	128
70°	101
75°	74
80°	48
85°	25
90°	9

Values in candela

Zonal Lumen Summary

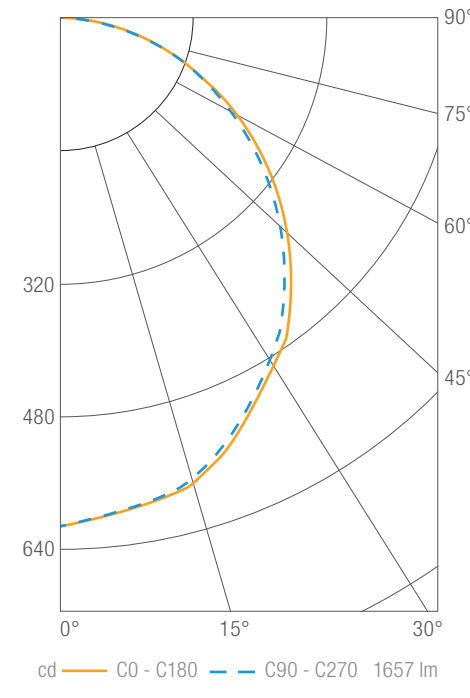
Zone	Lumens	Luminaire %
0-30	274	27
0-40	447	44
0-60	790	77
0-90	1027	100
0-180	1027	100

Illuminance Chart

Distance from LED	Foot Candles	Diameter
3.0'	40	8.8'
6.0'	10	17.7'
9.0'	4	26.5'
12.0'	2	35.3'

Beam Angle: 63°

DRD5S 18" Linear, 1500 lm, 90 CRI, 3000K DRD5S4L15930



Luminous Intensity

Gamma	C 0°
0°	567
5°	564
10°	556
15°	542
20°	523
25°	499
30°	469
35°	433
40°	400
45°	360
50°	318
55°	279
60°	232
65°	189
70°	145
75°	100
80°	57
85°	25
90°	2

Values in candela

Zonal Lumen Summary

Zone	Lumens	Luminaire %
0-30	465	28
0-40	755	46
0-60	1316	79
0-90	1657	100
0-180	1657	100

Illuminance Chart

Distance from LED	Foot Candles	Dimension
3.0'	68	8.2' x 8.4'
6.0'	17	16.3' x 16.7'
9.0'	8	24.5' x 25.1'
12.0'	4	32.7' x 33.4'

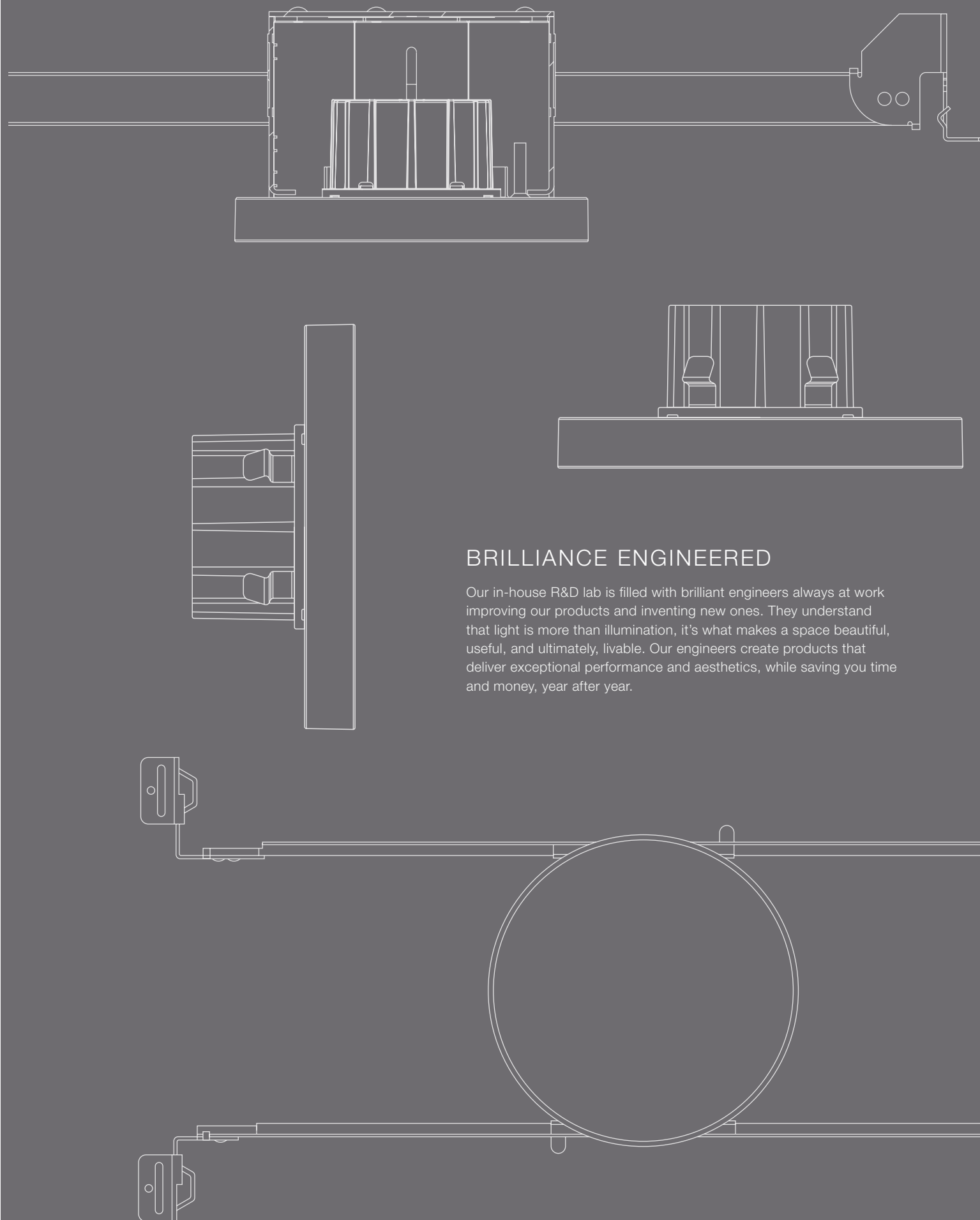
Beam Angle: 110°



DRD5S

Surface Mount LED Downlight

The thinnest-in-class DRD5S redefines what's possible for a surface mount. It delivers the pure, smooth light and the elegant look of a high-end recessed downlight, but it's compact enough to fit in limited plenum space. Through a combination of technological advances and smart design, the DRD5S achieves the perfect balance of aesthetics, performance, and value.



BRILLIANCE ENGINEERED

Our in-house R&D lab is filled with brilliant engineers always at work improving our products and inventing new ones. They understand that light is more than illumination, it's what makes a space beautiful, useful, and ultimately, livable. Our engineers create products that deliver exceptional performance and aesthetics, while saving you time and money, year after year.



DMF Lighting

1118 East 223rd Street,
Carson, California 90745
T: 800.441.4422
E: info@dmflighting.com
dmflighting.com