

# ULM120

3W 12V Mini Recessed LED Downlight

**CORE**  
ARCHITECTURAL  
LIGHTING

JOB NAME: \_\_\_\_\_  
LOCATION: \_\_\_\_\_  
QUOTE/REF#: \_\_\_\_\_






**ULM-120** is a mini, 12V, low-profile recessed LED downlight capable of delivering 225 Lumens of light output. This 3-watt mini downlight is available in warm white or cool white and a variety of color finishes. Designed to replace halogen lighting, this downlight is an energy efficient lighting solution suitable for most indoor applications.

## SPECIFICATIONS

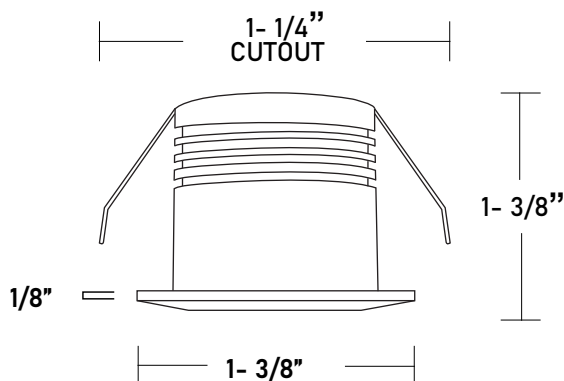
<b>INPUT VOLTAGE</b>	12V DC
<b>POWER CONSUMPTION</b>	3.0W
<b>LUMEN OUTPUT</b>	225 Lumens
<b>BEAM ANGLE</b>	30°
<b>CCT</b>	3000K / 4000K
<b>CRI</b>	85+
<b>DIMMING</b>	10-100% with most CFL/LED and ELV's
<b>MOUNTING</b>	Recessed mount
<b>CUTOUT</b>	1 1/4"
<b>OPERATING TEMPERATURE</b>	-4 ~ 122°F (-20 ~ 50°C)
<b>AMBIENT TEMPERATURE</b>	-4 ~ 176°F (-20 ~ 80°C)
<b>LUMEN MAINTENANCE</b>	50,000 hrs.
<b>CONNECTION</b>	20" length cord with quick connector
<b>WARRANTY</b>	3-Year Limited

## FEATURES

- 3-Watt High Output LED
- 12V DC
- Rated Life: 50,000 Hours
- Dimmable
- 225 Lumens
- 3000K / 4200K
- Energy savings of 85% compared to halogen
- Great for displays, cabinets and showcases

	FINISH	CRI	LUMEN/FT
	BK	85+	225
	WH	85+	225
	SI	85+	225

## DIMENSIONS



# ULM120

3W 12V Mini Recessed LED Downlight

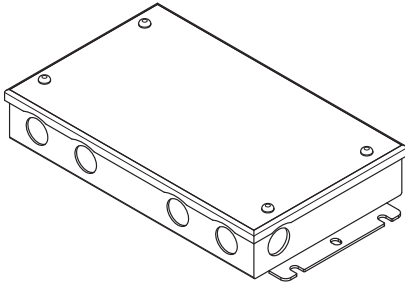
## STANDARD ORDERING CODE

Model	Color Temp	Finish	Voltage	Profile
ULM-120	30K 3000K	BK Black	12V 12 Volts	<sup>2</sup> See p3 for options
	40K 4000K	WH White		
		SI Silver		

# ULM120

3W 12V Mini Recessed LED Downlight

## COMPATIBLE TRANSFORMERS



### PSDL SERIES | TRIAC DIMMABLE

<b>PSDL-30W-12V</b>	CLASS 2	6.5"x 3.63"x 1.03"
<b>PSDL-60W-12V</b>	CLASS 2	7.4"x 3.63"x 1.03"
<b>PSDL-100W-12V</b>	CLASS 2	8.67"x 3.67"x 1.62"
<b>PSDL-120W-12V</b>		8.67"x 3.67"x 1.62"
<b>PSDL-150W-12V</b>		10.25"x 4.06"x 1.82"
<b>PSDL-200W-12V</b>		10.25"x 4.06"x 1.82"
<b>PSDL-300W-12V</b>		10.25"x 4.06"x 1.82"