

ST-603 Indoor / Outdoor Step Light

JOB NAME: _____
LOCATION: _____
QUOTE/REF#: _____

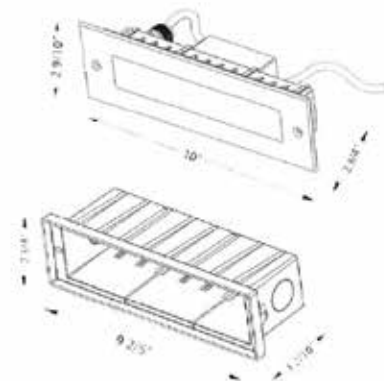
The ST-603 Step Light is a 6W Dimmable LED fixture which can be used in most indoor or outdoor applications. Capable of 330 Lumens of light output, this easy to install fixture provides optimal lighting in a stylish design.



FEATURES

- 24V (120V version available)
- Suitable for interior or exterior applications.
- Stainless Steel & Stainless Black finishes.
- Die-cast aluminum face plate
- 3000K and 4000K color temperatures
- Suitable for wet locations.
- **DIMMABLE (24V version)**
- **NON-DIMMABLE (120V version)**
- Rated to last 50,000 hrs.

DIMENSIONS



SPECIFICATIONS

VOLTAGE	24V 120V AC
POWER CONSUMPTION	6W
LUMEN OUTPUT	330 Lumens
OPERATING FREQUENCY	50 / 60Hz
CCT	3000K / 4000K
CRI	80+
DIMMING	YES (24V ver) NO (120V ver)
IP RATING	IP67 wet location
OPERATING TEMPERATURE	-4 ~ 122°F (-20 ~ 50°C)
AMBIENT TEMPERATURE	-4 ~ 176°F (-20 ~ 80°C)
LUMEN MAINTENANCE	50,000 hrs.
CONNECTION	7" 18AWG Lead Wire
WARRANTY	5-Year Limited
HOUSING DIMENSIONS	92/5"W x 23/4" H x 10" W x 31/8" D
FACE PLATE DIMENSIONS	92/5"W x 23/4" H x 10" W x 31/8" D



ORDERING GUIDE EX: ST603-30K-BZ-24V

ST603			
MODEL	COLOR TEMP	FINISH	VOLTAGE
	30K - 3000K 40K - 4000K	SS - Stainless Steel SB - Stainless Bronze BK - Black	24V - 24V DC (dimmbable) 120 - 120V AC (non-dimmbable)