

# PLC-420TL

## 4.8W 24V ADJUSTABLE PUCK LIGHT

Project \_\_\_\_\_  
Location \_\_\_\_\_  
Quote/ Ref # \_\_\_\_\_

**PLC-420TL** is a 4.8W, 24V high performance swivel/adjustable puck light that delivers up to 240 lumens of light output. Link puck lights together with its easy to connect connectors to cover a wider area of illumination. Suitable for surface or recessed applications. Its 20° tilt adjustable feature adds variety to focus of illumination.



### SPECIFICATIONS

|                   |                                   |
|-------------------|-----------------------------------|
| INPUT VOLTAGE     | 24V                               |
| POWER CONSUMPTION | 4.8W                              |
| LUMEN OUTPUT      | 240 Lumens                        |
| CRI               | 90+                               |
| COLOR TEMPERATURE | 2700K/ 3000K/ 4000K               |
| BEAM ANGLE        | 60°                               |
| DIMMING           | TRIAC and ELV                     |
| MOUNTING          | Surface/ Recessed                 |
| FINISH OPTIONS    | White/ Black/ Silver              |
| LUMEN MAINTENANCE | 50,000 Hrs.                       |
| DIMENSIONS        | 2.89" X 0.54" (Diameter x Height) |
| CUTOUT            | 68mm (2.68 in.)                   |
| WARRANTY          | 5-Year Limited                    |
| CERTIFICATIONS    | Title 24 JA8 Compliant            |

### FEATURES

- Surface or Recessed Mount Applications
- Up to 240 Lumens
- Superior Color Rendering Index (90+ CRI)
- 20° adjustable swivel to direct lighting
- Low profile design
- Great dimming performance and synchronization
- Dimmable with most TRIAC and ELV dimmers
- Direct hardwire or plugin installation

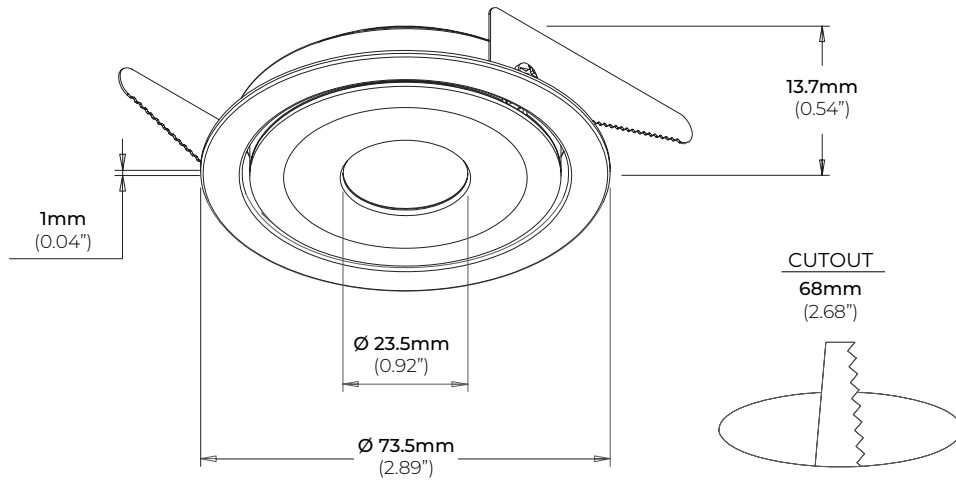


| MODEL    | COLOR TEMP          | FINISH              | VOLTAGE          |
|----------|---------------------|---------------------|------------------|
| PLC420TL | <b>27K</b><br>2700K | <b>WH</b><br>White  | <b>24</b><br>24V |
|          | <b>30K</b><br>3000K | <b>BK</b><br>Black  |                  |
|          | <b>40K</b><br>4000K | <b>SI</b><br>Silver |                  |

# PLC-420TL

## 4.8W 24V ADJUSTABLE PUCK LIGHT

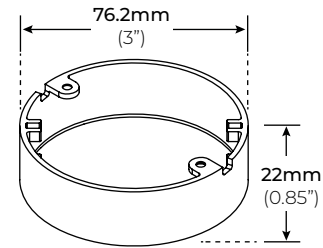
### DIMENSIONS



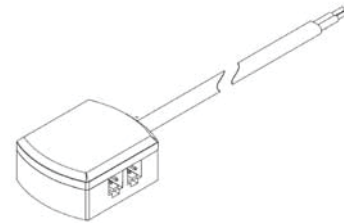
### COMPATIBLE ACCESSORIES

#### SURFACE MOUNT COLLAR

- PLC420-SCA-WH WHITE
- PLC420-SCA-BK BLACK
- PLC420-SCA-SI SILVER

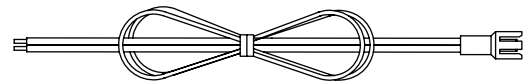


- PLC420TL-4AP  
4 PORT HUB



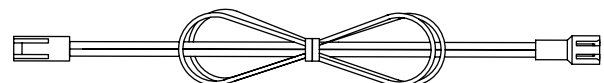
#### POWER FEED (FEMALE)

- PLC420TL-PF8  
8 FT. POWER FEED (FEMALE)



#### LINK CABLE CONNECTOR (MALE/ FEMALE)

- PLC420TL-LNK48  
48" MALE/ FEMALE LINK CONNECTOR
- PLC420TL-LNK96  
96" MALE/ FEMALE LINK CONNECTOR



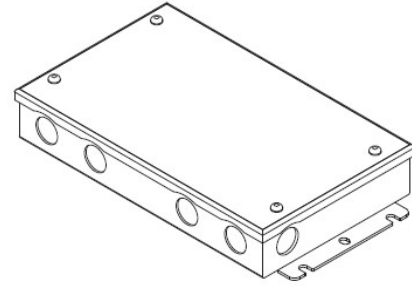
# PLC-420TL

## 4.8W 24V ADJUSTABLE PUCK LIGHT

### COMPATIBLE DIMMING MODULE

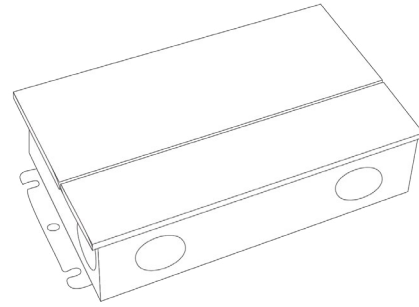
#### PSDL SERIES TRIAC DIMMABLE

|               |         |                        |
|---------------|---------|------------------------|
| PSDL-30W-24V  | CLASS 2 | 6.5" X 3.63" X 1.58"   |
| PSDL-60W-24V  | CLASS 2 | 7.4" X 3.63" X 1.58"   |
| PSDL-96W-24V  | CLASS 2 | 8.67" X 3.67" X 1.62"  |
| PSDL-150W-24V |         | 10.25" X 4.06" X 1.82" |
| PSDL-192W-24V | CLASS 2 | 11" X 4" X 1.82"       |
| PSDL-200W-24V |         | 10.25" X 4.06" X 1.82" |
| PSDL-288W-24V | CLASS 2 | 11.85" X 4.25" X 1.82" |
| PSDL-300W-24V |         | 10.25" X 4.06" X 1.82" |



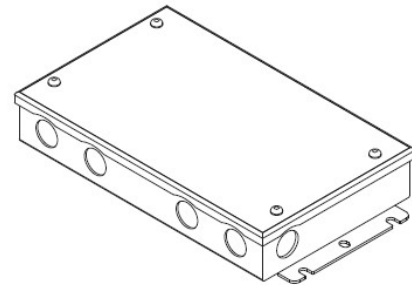
#### PSRX SERIES 4-IN-1 DIMMING DRIVER W/ JUNCTION BOX

|                   |         |                        |
|-------------------|---------|------------------------|
| PSRX-30W-24V-UNV  | CLASS 2 | 6.5" X 3.7" X 1.57"    |
| PSRX-60W-24V-UNV  | CLASS 2 | 7.4" X 3.72" X 1.57"   |
| PSRX-96W-24V-UNV  | CLASS 2 | 8.66" X 3.72" X 1.57"  |
| PSRX-150W-24V-UNV |         | 10.24" X 4.13" X 1.77" |
| PSRX-200W-24V-UNV |         | 10.24" X 4.13" X 1.77" |
| PSRX-300W-24V-UNV |         | 10.94" X 4.33" X 1.77" |



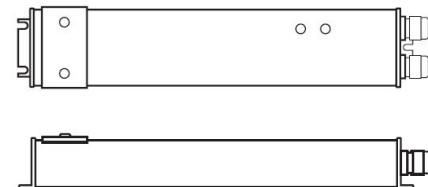
#### PSVT SERIES 4-IN-1 DIMMING DRIVER

|               |         |                        |
|---------------|---------|------------------------|
| PSVT-60W-24V  | CLASS 2 | 7.4" X 3.72" X 1.57"   |
| PSVT-96W-24V  | CLASS 2 | 8.66" X 3.72" X 1.57"  |
| PSVT-200W-24V |         | 10.24" X 4.13" X 1.77" |
| PSVT-288W-24V | CLASS 2 | 11.85" X 4.25" X 1.81" |
| PSVT-300W-24V |         | 10.94" X 4.33" X 1.77" |



#### PSDE SERIES 0-10V DIMMING W/ JUNCTION BOX

|                     |         |                      |
|---------------------|---------|----------------------|
| PSDE-60W-24V-010-JB | CLASS 2 | 12.1" X 2.36" X 1.4" |
| PSDE-96W-24V-010-JB | CLASS 2 | 12.1" X 2.36" X 1.4" |



# PLC-420TL

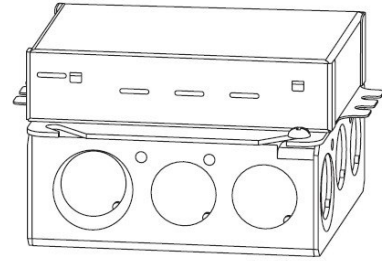
## 4.8W 24V ADJUSTABLE PUCK LIGHT

### COMPATIBLE DIMMING MODULE

---

LUTRON 1%  
2 OR 3-WIRE DIMMING

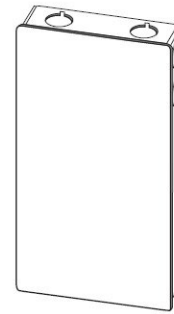
|                  |         |                    |
|------------------|---------|--------------------|
| LTEA4U1UKL-CV240 | CLASS 2 | 4.89" X 4" X 2.62" |
| L3DA4U1UKL-CV240 | CLASS 2 | 4.89" X 4" X 2.62" |



---

LUTRON 1%

PSDE-96W-24V-ECO CLASS 2 10.5" X 5.5" X 2"



### COMPATIBLE NON-DIMMING DRIVER

---

PSHK SERIES  
NON-DIMMING CONSTANT VOLTAGE WITH JUNCTION BOX

|               |         |                        |
|---------------|---------|------------------------|
| PSHK-30W-24V  | CLASS 2 | 6.5" X 3.6" X 1.02"    |
| PSHK-60W-24V  | CLASS 2 | 7.4" X 3.62" X 1.02"   |
| PSHK-96W-24V  | CLASS 2 | 8.66" X 3.66" X 1.61"  |
| PSHK-150W-24V |         | 10.24" X 4.06" X 1.81" |
| PSHK-200W-24V |         | 10.24" X 4.06" X 1.81" |
| PSHK-288W-24V | CLASS 2 | 11.85" X 4.25" X 1.82" |
| PSHK-300W-24V |         | 10.24" X 4.25" X 1.81" |

