

PLC-300

3.0W LED PUCK LIGHT

JOB NAME: _____
 LOCATION: _____
 QUOTE/REF#: _____









PLC-300 is a dimmable, eco-friendly LED puck light suitable for recessed or surface mount applications. Its small form factor and low profile design makes it easy to setup and install. Adding this LED puck light to any design space or functional piece instantly gives it an upgrade with spot or focused lighting. Ideal for under cabinet lighting, shelves, counter and display illumination.

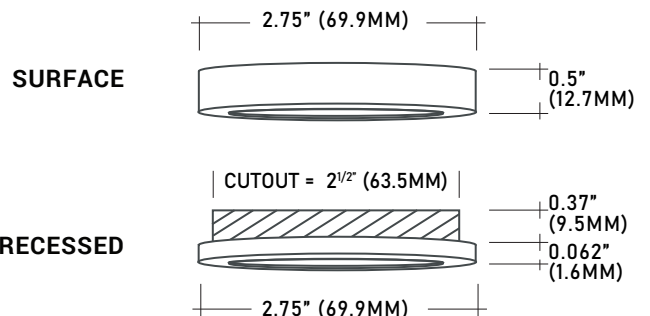
FEATURES

- Surface or recessed applications
- 240 Lumens
- 90+ CRI
- 20W Halogen replacement
- Low profile design
- Dimmable with CORE Lighting dimmable transformers

SPECIFICATIONS

INPUT VOLTAGE	12V & 24V DC Constant Voltage
POWER CONSUMPTION	3.0W per puck
LUMEN OUTPUT	240Lm
BEAM ANGLE	120°
CCT	2700K, 3000K and 4000K
CRI	90+
DIMMING	MLV, ELV and TRIAC
MOUNTING	Surface or recess mount
CUTOUT (RECESSED MOUNT)	2 1/2"
LUMEN MAINTENANCE	50,000 hrs.
CERTIFICATIONS	ETL Listed
FINISH OPTIONS	Black, White, Silver, Bronze, Chrome, Satin Nickel
WARRANTY	3-Year Limited

	FINISH	CRI	LUMEN
	BK	90+	240
	WH	90+	240
	SI	90+	240
	BZ	90+	240
	CH	90+	240
	SN	90+	240



PLC-300

3.0W LED PUCK LIGHT

STANDARD ORDERING CODE

Model	Color Temp	Finish	Voltage
PLC-300	27K 2700K	BK Black	12V 12V DC
	30K 3000K	WH White	24V 24V DC
	40K 4000K	SI Silver	
		BZ Bronze	
		CH Chrome	
		SN Satin Nickel	

PLC-300

3.0W LED PUCK LIGHT

COMPATIBLE ACCESSORIES

6 PORT ADAPTER

PLC-6AP

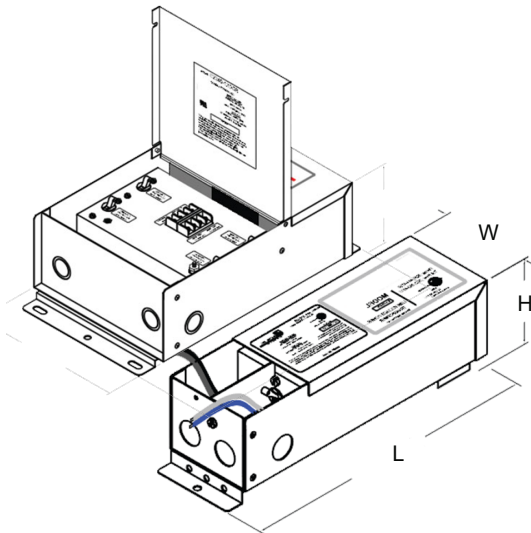
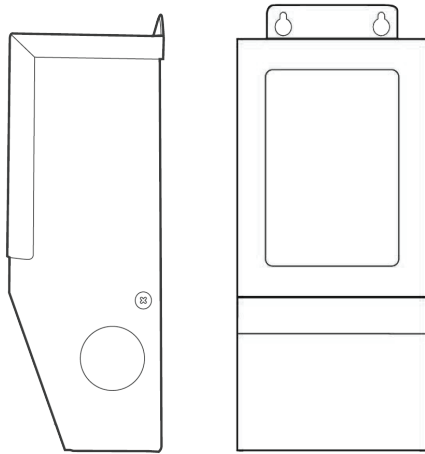


24" EXTENSION WIRE

PLC-LNK24



COMPATIBLE TRANSFORMERS



PSDM SERIES DIMMABLE MAGNETIC LOW VOLTAGE (MLV)

PSDM-20W-12V-CL2	CLASS 2	5.6" x 2" x 2.14"
PSDM-40W-12V-CL2	CLASS 2	5.6" x 2" x 2.14"
PSDM-60W-12V-CL2	CLASS 2	6.5" x 2.3" x 2.5"
PSDM-100W-12V-CL2	CLASS 2	9.8" x 3" x 3"
PSDM-150W-12V		9.8" x 3" x 3"
PSDM-180W-12V	CLASS 2	9.8" x 3" x 3"
PSDM-200W-12V		9.8" x 3" x 3"
PSDM-300W-12V		9.8" x 4.2" x 3.5"
PSDM-300W-12V-CL2	CLASS 2	7.0" x 7.0" x 3.2"
PSDM-20W-24V	CLASS 2	5.6" x 2" x 2.14"
PSDM-40W-24V	CLASS 2	5.6" x 2" x 2.14"
PSDM-60W-24V	CLASS 2	6.5" x 2.3" x 2.5"
PSDM-100W-24V	CLASS 2	6.5" x 2.3" x 2.5"
PSDM-150W-24V		9.8" x 3" x 3"
PSDM-192W-24V	CLASS 2	7.0" x 7.0" x 3.2"
PSDM-200W-24V		9.8" x 3" x 3"
PSDM-288W-24V	CLASS 2	9.8" x 4.2" x 3.5"
PSDM-300W-24V		7.0" x 7.0" x 3.2"

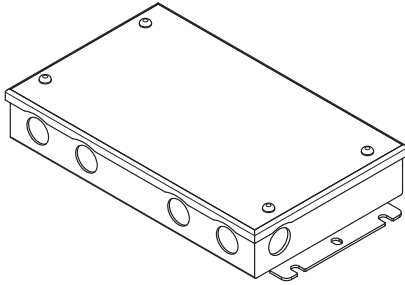
PSDH SERIES HIGH PERFORMANCE MAGNETIC LOW VOLTAGE (MLV)

PSDH-48W-24V	CLASS 2	11.25" x 3.37" x 3.25"
PSDH-96W-24V	CLASS 2	11.25" x 3.37" x 3.25"
PSDH-288W-24V	CLASS 2	14.25" x 8.43" x 4.43"

PLC-300

3.0W LED PUCK LIGHT

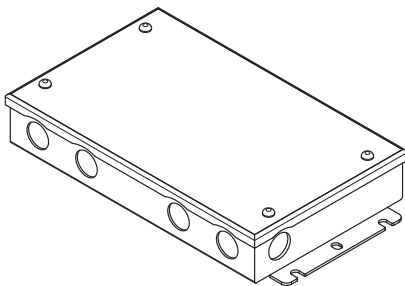
COMPATIBLE TRANSFORMERS



PSDL SERIES TRIAC DIMMABLE

PSDL-30W-12V	CLASS 2	6.5"x 3.63"x 1.03"
PSDL-60W-12V	CLASS 2	7.4"x 3.63"x 1.03"
PSDL-100W-12V	CLASS 2	8.67"x 3.67"x 1.62"
PSDL-120W-12V		8.67"x 3.67"x 1.62"
PSDL-150W-12V		10.25"x 4.06"x 1.82"
PSDL-200W-12V		10.25"x 4.06"x 1.82"
PSDL-300W-12V		10.25"x 4.06"x 1.82"

PSDL-30W-24V	CLASS 2	6.5"x 3.63"x 1.03"
PSDL-60W-24V	CLASS 2	7.4"x 3.63"x 1.03"
PSDL-96W-24V	CLASS 2	8.67"x 3.67"x 1.62"
PSDL-150W-24V		8.67"x 3.67"x 1.62"
PSDL-192W-24V	CLASS 2	10.25"x 4.06"x 1.82"
PSDL-200W-24V		10.25"x 4.06"x 1.82"
PSDL-288W-24V	CLASS 2	10.25"x 4.06"x 1.82"
PSDL-300W-24V		10.25"x 4.06"x 1.82"



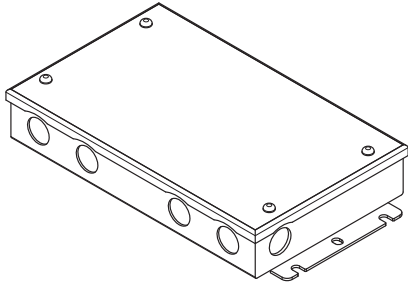
PSHK SERIES NON-DIMMING W/ JUNCTION BOX

PSHK-30W-24V-UNV	CLASS 2	6.5" X 3.6" X 1.02"
PSHK-60W-24V-UNV	CLASS 2	7.4" X 3.62" X 1.02"
PSHK-96W-24V-UNV	CLASS 2	8.66" X 3.66" X 1.61"
PSHK-150W-24V-UNV		10.24" X 4.06" X 1.81"
PSHK-200W-24V-UNV		10.24" X 4.06" X 1.81"
PSHK-300W-24V-UNV		10.94" X 4.25" X 1.81"

PLC-300

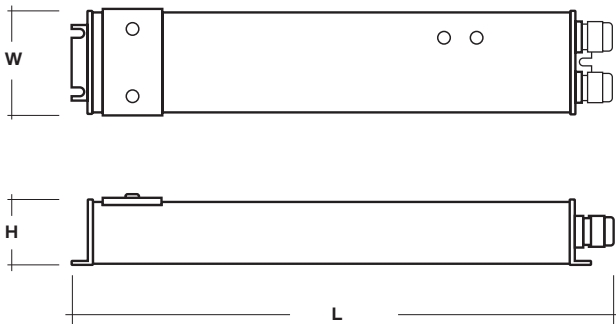
3.0W LED PUCK LIGHT

COMPATIBLE TRANSFORMERS



PSVT SERIES 0-10V DIMMING WITH JUNCTION BOX

PSVT-60W-24V-UNV-010	CLASS 2	7.4" x 3.72" x 1.57"
PSVT-96W-24V-UNV-010	CLASS 2	8.66" x 3.72" x 1.57"
PSVT-200W-24V-UNV-010		10.24" x 4.13" x 1.77"
PSVT-288W-24V-UNV-010	CLASS 2	11.85" x 4.25" x 1.81"
PSVT-300W-24V-UNV-010		10.94" x 4.33" x 1.77"



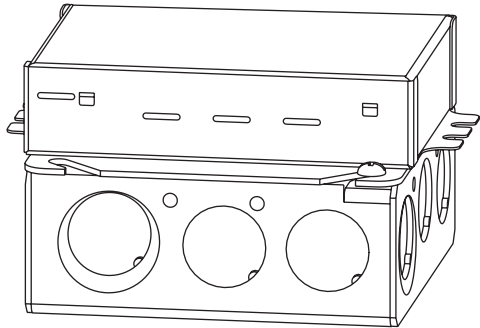
PSDE SERIES 0-10V DIMMING WITH JUNCTION BOX

PSDE-60W-24V-010-JB	CLASS 2	12.1" x 2.36" x 1.4"
PSDE-96W-24V-010-JB	CLASS 2	12.1" x 2.36" x 1.4"
PSDE-180W-24V-010	CLASS 2	9.6" x 2.79" x 1.47"

PLC-300

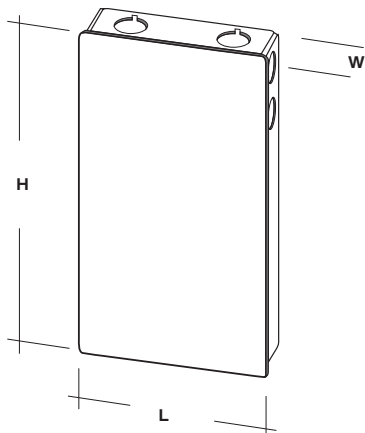
3.0W LED PUCK LIGHT

COMPATIBLE TRANSFORMERS



LUTRON 1% 2 OR 3-WIRE DIMMING

LTEA4U1UKL-CV240	CLASS 2	4.0" x 1.5" x 4.0"
L3DA4U1UKL-CV240	CLASS 2	4.0" x 1.5" x 4.0"



LUTRON 1%

PSDE-96W-24V-ECO	CLASS 2	10.5" x 3.0" x 2.0"
-------------------------	---------	---------------------