



High-Output Mini LED Wall Washer

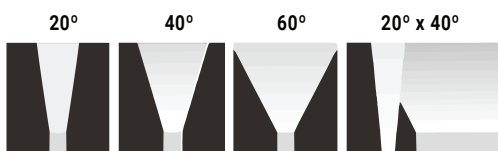
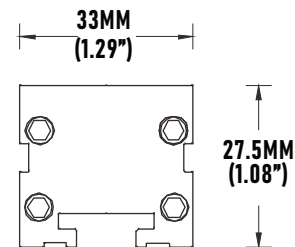
LWWMN Linear Wall washer series is a powerful LED flood light typically used for building facades, signs or any wall washing applications. Variety of optical lens options provides endless lighting solutions. Available in narrow, medium, wide and elliptical optic options.

SPECIFICATIONS

POWER CONSUMPTION	6W per ft.
VOLTAGE	24V
CONTROL	0-10V
CRI	90
MAXIMUM RUN LENGTH	Linkable up to 20 ft
OPERATING VOLTAGE	100V-277VAC
OPERATING FREQUENCY	50 / 60 Hz
STORAGE TEMPERATURE	-40°C to 85°C
OPERATING TEMPERATURE	-40°C to 50°C
BEAM ANGLE OPTIONS	20° / 40° / 60° / 20° x 40°
HOUSING	6063 Extruded aluminum
IP RATING	IP66 Outdoor/Wet Location
LUMEN MAINTENANCE	50,000 hrs.

FEATURES

- 5.4W per Ft.
- 110 Lumens per Watt
- Linkable up to 20ft.
- Proprietary Optical Technology
- TRIAC Dimming
- Proprietary Adjustable Mounting Bracket
- Facade Wall Washing
- Graze Lighting
- Signage



STANDARD ORDERING GUIDE

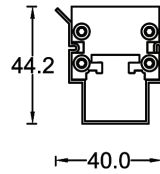
Model	Legth	Color Temp	Optics	Mounting Option	Voltage
LWW-MN	20 20" (9W)	27K 2700K	20 20°	FMB Fixed Mounting Bracket	24 24Volts DC
	40 40" (18W)	30K 3000K	40 40°	STB Standard Tilting Bracket	
		35K 3500K	60 60°	ETB Extended Tilting Bracket	
		40K 4000K	20X40 20° x 40°	STK Mounting Stake	
		50K 5000K		WMA Adjustable Mounting Arms	
		60K 6000K			
		RD Red			
		GN Green			
		BL Blue			
		AM Amber			



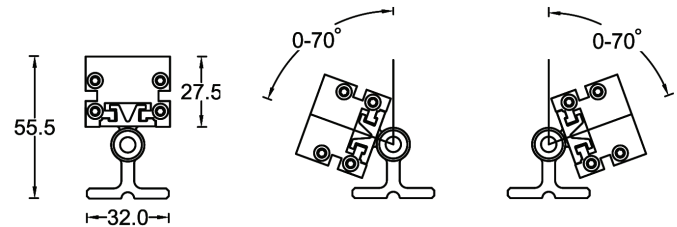
THIS FIXTURE IS NOT COMPATIBLE WITH PSDH AND PSDM SERIES DRIVERS. DIMMING IS ONLY AVAILABLE WITH 0-10 DRIVERS

MOUNTING ACCESSORIES

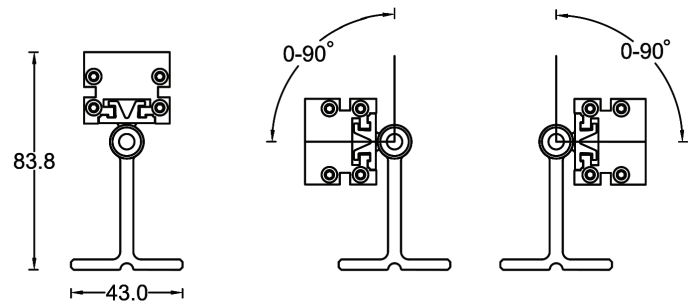
LWW-MN-FMB
Fixed Mounting Bracket
(OPTIONAL: must indicate on order)



LWW-MN-STB
Standard Tilting Bracket
(included)

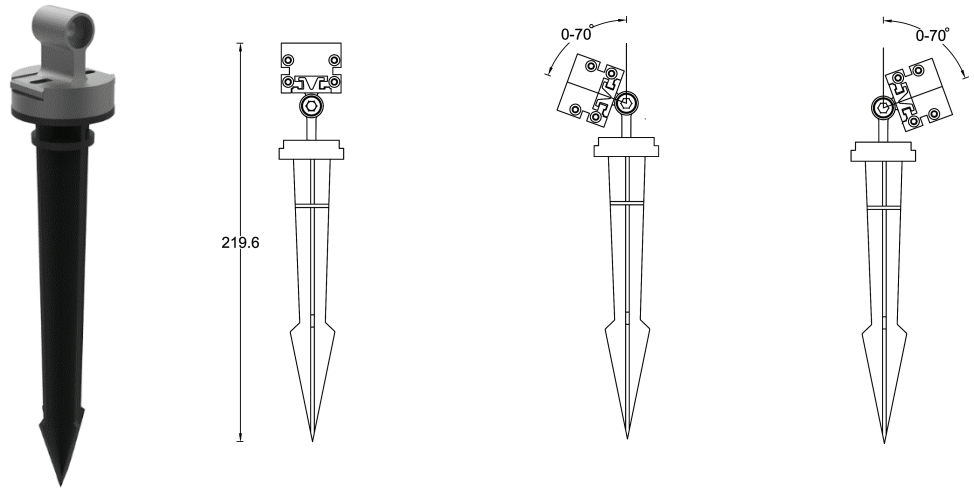


LWW-MN-ETB
Extended Tilting Bracket
(OPTIONAL: must indicate on order)

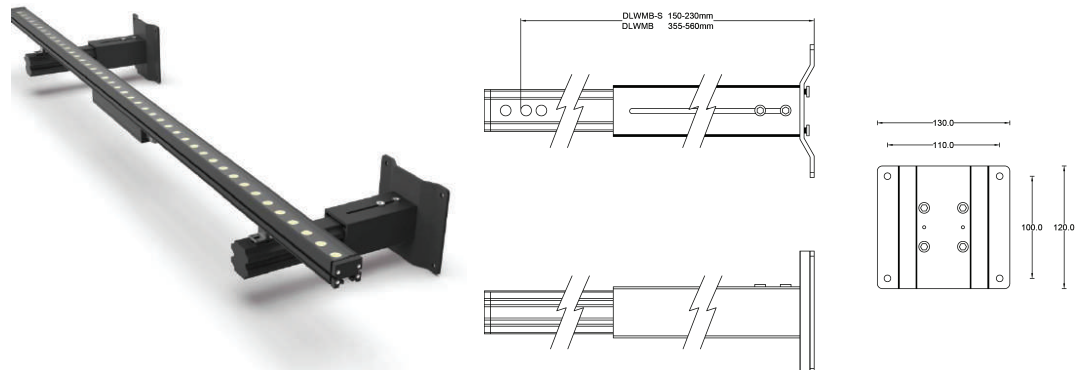


MOUNTING ACCESSORIES

LWW-MN-STK
Fixed Mounting Stake
(OPTIONAL: must indicate on order)

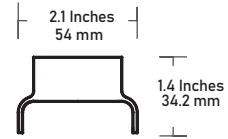


LWW-MN-WMA
Adjustable Mounting Arms
(OPTIONAL: must indicate on order)

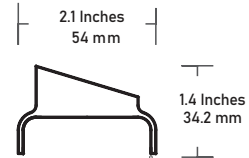


ACCESSORIES

LWW-MN-12-SDLV
LWW-MN-20-SDLV
LWW-MN-24-SDLV
LWW-MN-40-SDLV
LWW-MN-48-SDLV
12", 20", 24", 40", 48"
Symmetric Louver
(sold separately)



LWW-MN-12-ADLV
LWW-MN-20-ADLV
LWW-MN-24-ADLV
LWW-MN-40-ADLV
LWW-MN-48-ADLV
12", 20", 24", 40", 48"
Asymmetric Louver
(sold separately)



LWW-LNK-10
LWW-LNK-36
LWW-LNK-72
10", 36", 72"
Link Extension Cable
(sold separately)



LWW-HWC-72-BK
72" Hardwire Cable
(sold separately)

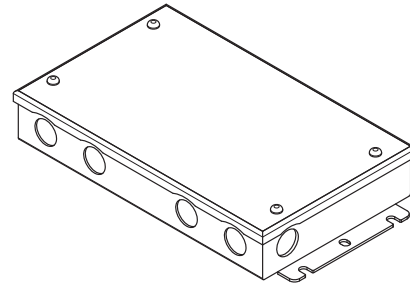


COMPATIBLE DRIVERS

PSDL SERIES

TRIAC DIMMABLE

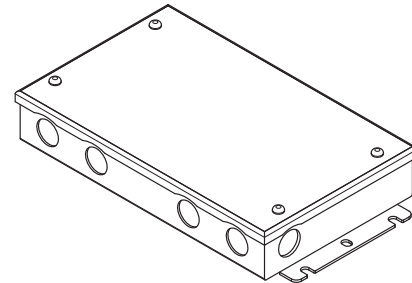
PSDL-30W-24V	CLASS 2	6.5" x 3.63" x 1.03"
PSDL-60W-24V	CLASS 2	7.4" x 3.63" x 1.03"
PSDL-96W-24V	CLASS 2	8.67" x 3.67" x 1.62"
PSDL-150W-24V		8.67" x 3.67" x 1.62"
PSDL-192W-24V	CLASS 2	10.25" x 4.06" x 1.82"
PSDL-200W-24V		10.25" x 4.06" x 1.82"
PSDL-288W-24V	CLASS 2	10.25" x 4.06" x 1.82"
PSDL-300W-24V		10.25" x 4.06" x 1.82"



PSHK SERIES

NON-DIMMING W/ JUNCTION BOX

PSHK-30W-24V-UNV	CLASS 2	6.5" X 3.6" X 1.02"
PSHK-60W-24V-UNV	CLASS 2	7.4" X 3.62" X 1.02"
PSHK-96W-24V-UNV	CLASS 2	8.66" X 3.66" X 1.61"
PSHK-150W-24V-UNV		10.24" X 4.06" X 1.81"
PSHK-200W-24V-UNV		10.24" X 4.06" X 1.81"
PSHK-300W-24V-UNV		10.94" X 4.25" X 1.81"



PSVT SERIES

0-10V DIMMING DRIVER

PSVT-60W-24V	CLASS 2	7.4" X 3.72" X 1.57"
PSVT-96W-24V	CLASS 2	8.66" X 3.72" X 1.57"
PSVT-200W-24V		10.24" X 4.13" X 1.77"
PSVT-288W-24V	CLASS 2	11.85" X 4.25" X 1.81"
PSVT-300W-24V	CLASS 2	10.94" X 4.33" X 1.77"

