

LWW-HO

High-Output Linear LED Wall Washer



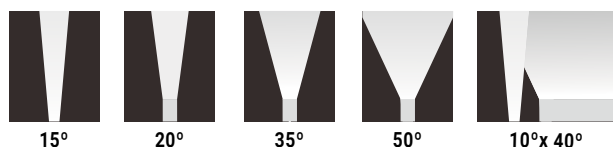
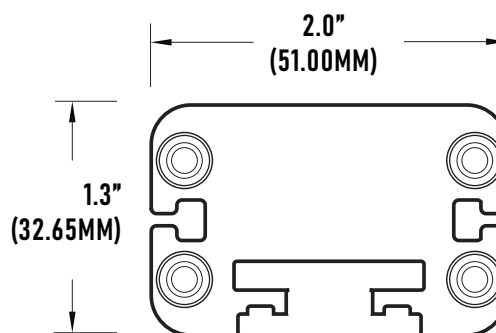
LWW-HO Linear Wall washer series is a powerful LED flood light typically used for building facades, signs or any wall washing applications. Variety of optical lens options provides endless lighting solutions. Available in narrow, medium, wide and elliptical optic options.

FEATURES

- 110 Lumens per Watt
- Linkable up to 12ft.
- Proprietary Optical Technology
- TRIAC Dimming
- Proprietary Adjustable Mounting Bracket
- Facade Wall Washing
- Graze Lighting & Signage

SPECIFICATIONS

INPUT VOLTAGE	24V DC
POWER CONSUMPTION	9W per Ft.
LUMEN PER WATT	110 lm/W
BEAM ANGLE	15° / 20° / 35° / 50° / 10°x40° (A2)
CRI	90+
DIMMING	TRIAC
MAXIMUM RUN LENGTH	Linkable up to 12 Ft.
IP RATING	IP65 wet location (outdoor)
LUMEN MAINTENANCE	50,000 hrs.
OPERATING TEMPERATURE	-4°F(-20°C)~+122°F(+50°C)
OPERATING TEMPERATURE	-22°F(-30°C)~+176°F(+80°C)



LWW-HO

High-Output Linear LED Wall Washer



STANDARD ORDERING GUIDE

Model	Length	Color Temp	Optics	Mounting Option	Finish Option
LWW-HO	12 12" (9W)	22K 2200K	15 15°	FMB Fixed Mounting Bracket	TG Titanium Gray
	20 20" (15W)	27K 2700K	20 20°	STB Standard Tilting Bracket	*BK Black
	24 24" (18W)	30K 3000K	35 35°	ETB Extended Tilting Bracket	*WH White
	40 40" (30W)	40K 4000K	50 50°		
	48 48" (36W)	50K 5000K	10X40 10° x 40°		
		60K 6000K			
		RD Red			
		GN Green			
		BL Blue			
		AM Amber			

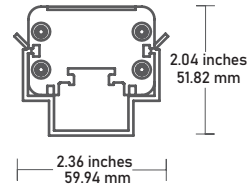
*** SPECIAL ORDER ITEM**
ALLOW UP TO 4 WEEKS LEAD TIME

LWW-HO

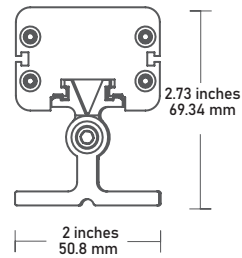
High-Output Linear LED Wall Washer

ACCESSORIES

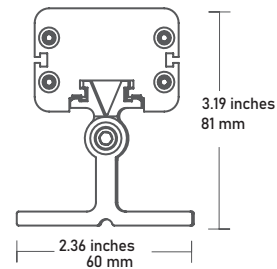
LWW-HO-FMB
Fixed Mounting Bracket
(OPTIONAL: must indicate on order)



LWW-HO-STB
Standard Tilting Bracket
(STANDARD INCLUDED)



LWW-HO-ETB
Extended Tilting Bracket
(OPTIONAL: must indicate on order)

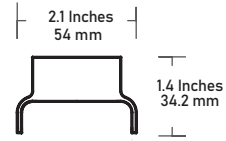


LWW-HO

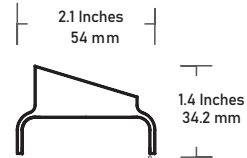
High-Output Linear LED Wall Washer

ACCESSORIES

LWW-HO-12-SDLV
LWW-HO-20-SDLV
LWW-HO-24-SDLV
LWW-HO-40-SDLV
LWW-HO-48-SDLV
12", 20", 24", 40", 48"
Symmetric Louver
(sold separately)



LWW-HO-12-ADLV
LWW-HO-20-ADLV
LWW-HO-24-ADLV
LWW-HO-40-ADLV
LWW-HO-48-ADLV
12", 20", 24", 40", 48"
Asymmetric Louver
(sold separately)



LWW-LNK-10
LWW-LNK-36
LWW-LNK-72
10", 36", 72"
Link Extension Cable
(sold separately)



LWW-HWC-72-BK
72" Hardwire Cable
(sold separately)

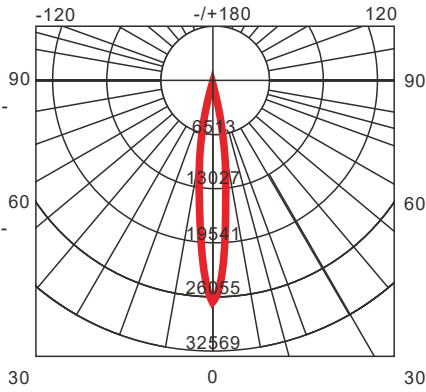


LWW-HO

High-Output Linear LED Wall Washer

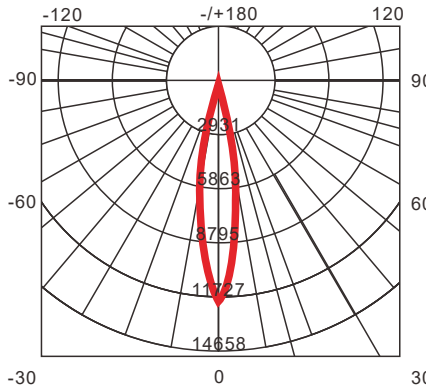
PHOTOMETRICS

4000K CRI80
Beam Angle (50%) 15°
Field Angle (10%) 25°



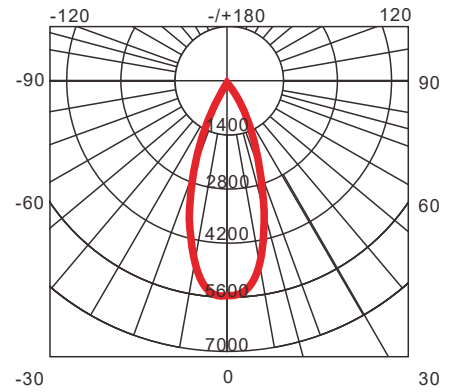
Unit: cd
— C0-C180 — C90-C270

4000K CRI80
Beam Angle (50%) 20°
Field Angle (10%) 40°



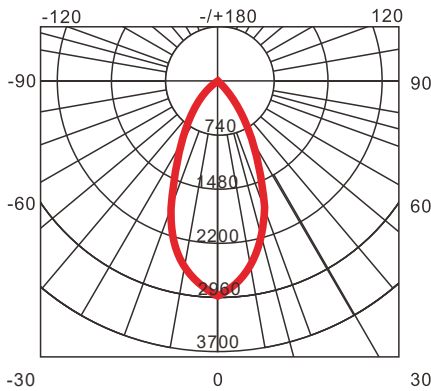
Unit: cd
— C0-C180 — C90-C270

4000K CRI80
Beam Angle (50%) 35°
Field Angle (10%) 55°



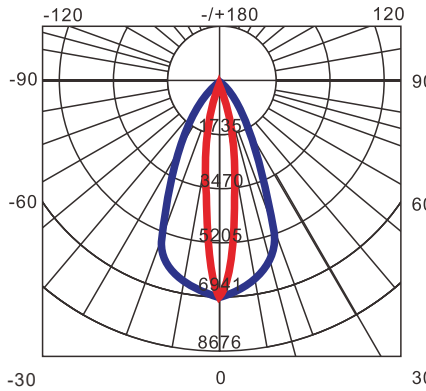
Unit: cd
— C0-C180 — C90-C270

4000K CRI80
Beam Angle (50%) 50°
Field Angle (10%) 80°



Unit: cd
— C0-C180 — C90-C270

4000K CRI80
Beam Angle (50%) 10° x 40°
Field Angle (10%) 25° x 60°



Unit: cd
— C0-C180 — C90-C270

LWW-HO

High-Output Linear LED Wall Washer

COMPATIBLE DRIVERS

PSDL SERIES

TRIAC DIMMABLE

PSDL-30W-24V	CLASS 2	6.5" x 3.63" x 1.03"
PSDL-60W-24V	CLASS 2	7.4" x 3.63" x 1.03"
PSDL-96W-24V	CLASS 2	8.67" x 3.67" x 1.62"
PSDL-150W-24V		8.67" x 3.67" x 1.62"
PSDL-192W-24V	CLASS 2	10.25" x 4.06" x 1.82"
PSDL-200W-24V		10.25" x 4.06" x 1.82"
PSDL-288W-24V	CLASS 2	10.25" x 4.06" x 1.82"
PSDL-300W-24V		10.25" x 4.06" x 1.82"

PSHK SERIES

NON-DIMMING W/ JUNCTION BOX

PSHK-30W-24V-UNV	CLASS 2	6.5" X 3.6" X 1.02"
PSHK-60W-24V-UNV	CLASS 2	7.4" X 3.62" X 1.02"
PSHK-96W-24V-UNV	CLASS 2	8.66" X 3.66" X 1.61"
PSHK-150W-24V-UNV		10.24" X 4.06" X 1.81"
PSHK-200W-24V-UNV		10.24" X 4.06" X 1.81"
PSHK-300W-24V-UNV		10.94" X 4.25" X 1.81"

PSVT SERIES

0-10V DIMMING DRIVER

PSVT-60W-24V	CLASS 2	7.4" X 3.72" X 1.57"
PSVT-96W-24V	CLASS 2	8.66" X 3.72" x 1.57"
PSVT-200W-24V		10.24" X 4.13" x 1.77"
PSVT-288W-24V	CLASS 2	11.85" X 4.25" x 1.81"
PSVT-300W-24V	CLASS 2	10.94" X 4.33" x 1.77"

