

# LSXT250

2.2W Long Run Outdoor Flexible LED Strip

**CORE**  
ARCHITECTURAL  
LIGHTING

JOB NAME: \_\_\_\_\_  
LOCATION: \_\_\_\_\_  
QUOTE/REF#: \_\_\_\_\_



The **LSXT250** series is a dimmable, flexible LED strip capable of delivering up to 235 Lumens of light output per foot. It is cuttable every 3.94" and can reach a maximum of **64 Ft.** in a single, continuous run. This innovative strip delivers consistent brightness with superior color rendering in a very efficient package.

## SPECIFICATIONS

<b>INPUT VOLTAGE</b>	24V DC
<b>POWER CONSUMPTION</b>	2.2W per foot
<b>LUMEN OUTPUT</b>	235 Lumens per foot (30K)
<b>NO. OF LEDs</b>	21 LEDs per foot
<b>BEAM ANGLE</b>	120°
<b>CRI</b>	90+
<b>DIMMING</b>	MLV, ELV & TRIAC
<b>MAXIMUM RUN LENGTH</b>	64 Feet
<b>CUTTING INCREMENTS</b>	Every 3.94 in
<b>IP RATING</b>	IP65 wet location (outdoor)
<b>LUMEN MAINTENANCE</b>	50,000 hrs.
<b>OPERATING TEMPERATURE</b>	-4°F(-20°C)~+122°F(+50°C)
<b>OPERATING TEMPERATURE</b>	-22°F(-30°C)~+176°F(+80°C)
<b>CERTIFICATIONS</b>	UL listed
<b>DIMENSIONS</b>	0.51" x 0.54" (width x height)

## FEATURES

- 2.4W per Foot
- 24V Low-Voltage LED Strip
- Suitable for accent or ambient lighting
- Multiple CCT options available
- Superior COLOR RENDERING INDEX (CRI)
- UL Listed
- Dimmable CORE Lighting Dimming Drivers
- Approved for closet / storage space installation per NEC 410.16(A)(3) and 410.16(C)(5)

	COLOR TEMP	CRI	LUMEN/FT
--	------------	-----	----------



2700K	90+	233
3000K	90+	235
4000K	90+	238



# LSXT250

2.2W Long Run Outdoor Flexible LED Strip

## STANDARD ORDERING CODE

Model	Color Temp	Length	Voltage
LSXT250	<b>27K</b> 2700K	<b>100</b> 100 Ft.	<b>24</b> 24 Volts
	<b>30K</b> 3000K	<b>325</b> 325 Ft.	
	<b>40K</b> 4000K	<b>1'XX</b> per Ft.	

# LSXT250

2.2W Long Run Outdoor Flexible LED Strip

## COMPATIBLE ACCESORIES

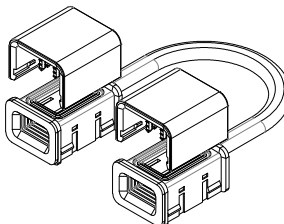
### LSXT-EX | EXTENSION COUPLING

Easy snap-on connection between two strips.

**LSXT-EX3** 3" Extension Coupling

**LSXT-EX8** 8" Extension Coupling

**LSXT-EX24** 24" Extension Coupling



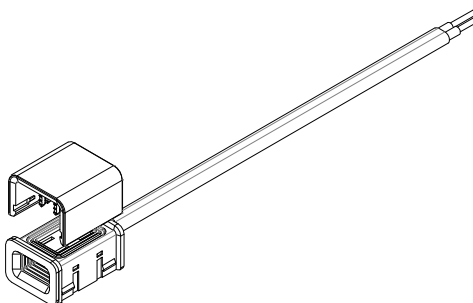
### LSXT-HW | HARDWIRE CONNECTOR

Easy snap-on hardwire connection to power source.

**LSXT-HW24** 24" Hardwire Connector

**LSXT-HW60** 60" Hardwire Connector

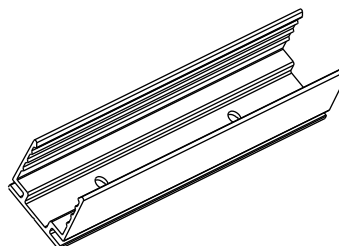
**LSXT-HW120** 120" Hardwire Connector



### LSXT-AC | MOUNTING CHANNEL

**LSXT-AC2** 2" Mounting Channel

**LSXT-AC48** 48" Mounting Channel



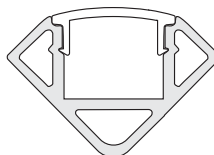
### ALU-CN | MOUNTING CHANNEL

**TYPE** Surface, Corner

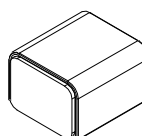
**LENGTHS** 39<sup>3</sup>/<sub>8</sub>" | 78<sup>7</sup>/<sub>8</sub>" | 96"

**LENS** Clear, Frosted

**FINISH** Silver | Black



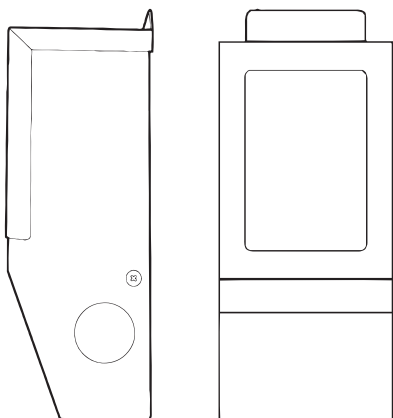
### LSXT-EC | END CAP



# LSXT250

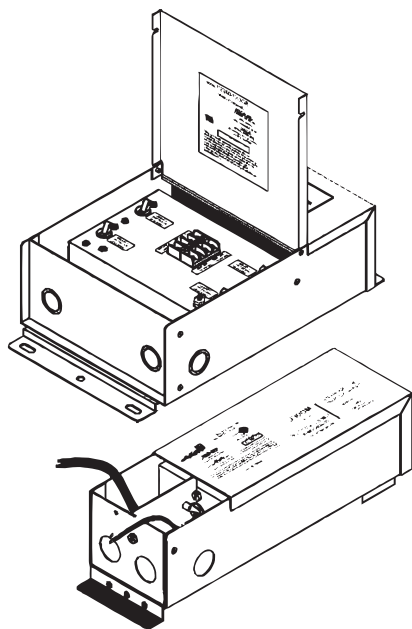
2.2W Long Run Outdoor Flexible LED Strip

## COMPATIBLE TRANSFORMERS



### PSDM SERIES | DIMMABLE MAGNETIC LOW VOLTAGE (MLV)

<b>PSDM-20W-24V</b>	CLASS 2	5.6" x 2" x 2.14"
<b>PSDM-40W-24V</b>	CLASS 2	5.6" x 2" x 2.14"
<b>PSDM-60W-24V</b>	CLASS 2	6.5" x 2.3" x 2.5"
<b>PSDM-100W-24V</b>	CLASS 2	6.5" x 2.3" x 2.5"
<b>PSDM-150W-24V</b>		9.8" x 3" x 3"
<b>PSDM-192W-24V</b>	CLASS 2	7.0" x 7.0" x 3.2"
<b>PSDM-200W-24V</b>		9.8" x 3" x 3"
<b>PSDM-288W-24V</b>	CLASS 2	9.8" x 4.2" x 3.5"
<b>PSDM-300W-24V</b>		7.0" x 7.0" x 3.2"



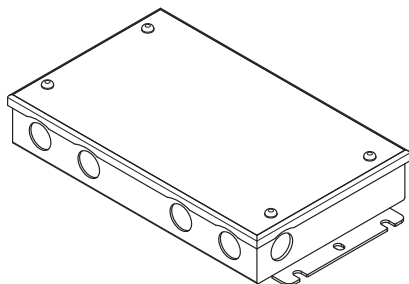
### PSDH SERIES | HIGH PERFORMANCE MAGNETIC LOW VOLTAGE (MLV)

<b>PSDH-48W-24V</b>	CLASS 2	11.25" x 3.37" x 3.25"
<b>PSDH-96W-24V</b>	CLASS 2	11.25" x 3.37" x 3.25"
<b>PSDH-288W-24V</b>	CLASS 2	14.25" x 8.43" x 4.43"

# LSXT250

2.2W Long Run Outdoor Flexible LED Strip

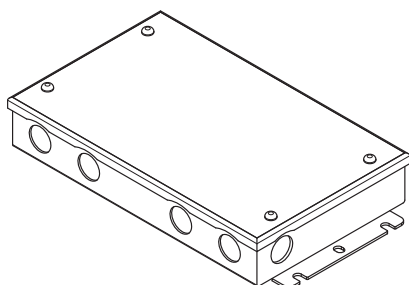
## COMPATIBLE TRANSFORMERS



### PSDL SERIES | TRIAC DIMMABLE

<b>PSDL-30W-24V</b>	CLASS 2	6.5"x 3.63"x 1.03"
<b>PSDL-60W-24V</b>	CLASS 2	7.4"x 3.63"x 1.03"
<b>PSDL-96W-24V</b>	CLASS 2	8.67"x 3.67"x 1.62"
<b>PSDL-150W-24V</b>		8.67"x 3.67"x 1.62"
<b>PSDL-192W-24V</b>	CLASS 2	10.25"x 4.06"x 1.82"
<b>PSDL-200W-24V</b>		10.25"x 4.06"x 1.82"
<b>PSDL-288W-24V</b>	CLASS 2	10.25"x 4.06"x 1.82"
<b>PSDL-300W-24V</b>		10.25"x 4.06"x 1.82"

CLASS 2



### PSHK SERIES | NON-DIMMING W/ JUNCTION BOX

<b>PSHK-30W-24V-UNV</b>	CLASS 2	6.5" X 3.6" X 1.02"
<b>PSHK-60W-24V-UNV</b>	CLASS 2	7.4" X 3.62" X 1.02"
<b>PSHK-96W-24V-UNV</b>	CLASS 2	8.66" X 3.66" X 1.61"
<b>PSHK-150W-24V-UNV</b>		10.24" X 4.06" X 1.81"
<b>PSHK-200W-24V-UNV</b>		10.24" X 4.06" X 1.81"
<b>PSHK-300W-24V-UNV</b>		10.94" X 4.25" X 1.81"

# LSXT250

2.2W Long Run Outdoor Flexible LED Strip

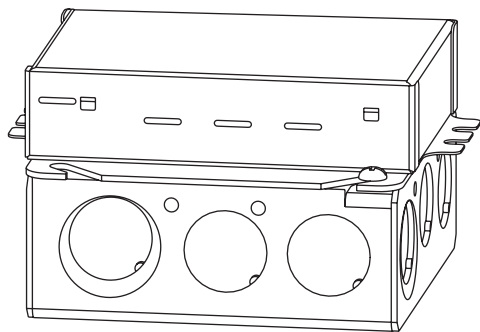
## COMPATIBLE TRANSFORMERS



**PSDE SERIES** | 0-10V DIMMING W/ JUNCTION BOX



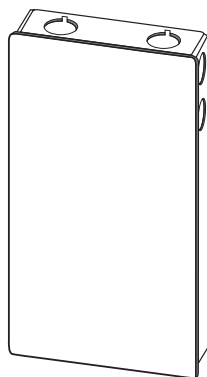
**PSDE-100W-24V-010-JB** CLASS 2 12.32" x 1.77" x 1.67"



**LUTRON 1%** | 2 OR 3-WIRE DIMMING

**LTEA4U1UKL-CV240** CLASS 2 4.0" x 1.5" x 4.0"

**L3DA4U1UKL-CV240** CLASS 2 4.0" x 1.5" x 4.0"



**LUTRON 1%**

**PSDE-96W-24V-ECO** CLASS 2 10.5" x 3.0" x 2.0"