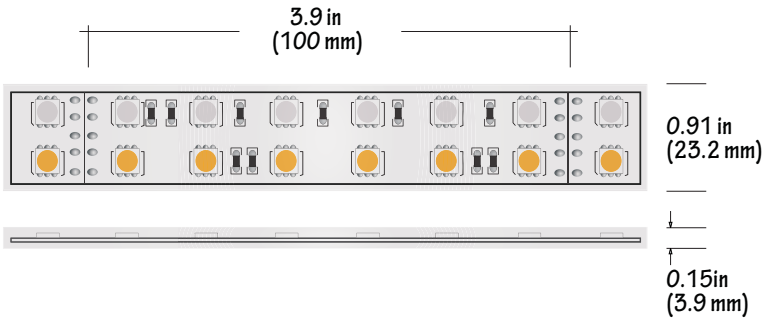


## SPECIFICATION SHEET

JOB NAME: \_\_\_\_\_  
 LOCATION: \_\_\_\_\_  
 QUOTE/REF#: \_\_\_\_\_



LSPW80-RGBW is an outdoor/wet rated color-changing + white LED strip that provides a full spectrum of color changing schemes. The warm or cool white LED's combined with the full color spectrum of the RGB light array produces more powerful color options that's sure to please even the most discerning lighting designer. Suitable for residential, commercial, hospitality and architectural lighting applications.

## SPECIFICATIONS

<b>INPUT VOLTAGE</b>	24V DC
<b>POWER CONSUMPTION</b>	8.8W per foot
<b>LUMEN OUTPUT</b>	720 Lumens per foot
<b>NO. OF LEDs</b>	36 LEDs per foot
<b>BEAM ANGLE</b>	120°
<b>CRI</b>	90+
<b>DIMMING</b>	Through RGBW controller
<b>MAXIMUM RUN LENGTH</b>	24 Feet
<b>FIELD CUTTABLE</b>	Every 3.9 in (100MM)
<b>IP RATING</b>	IP65 wet location (outdoor)
<b>LUMEN MAINTENANCE</b>	50,000 hrs.
<b>OPERATING TEMPERATURE</b>	-40°F(-40°C)~+140°F(+60°C)
<b>BINNING</b>	1.5 Step Macadam Elipse
<b>CERTIFICATIONS</b>	UL listed
<b>DIMENSIONS</b>	0.91" x 0.15 (width x height)

## FEATURES

- 8.8W per Foot
- 720 Lumens
- 90+ CRI
- Two rows of high-output diodes
- 24 Feet Maximum Run Length
- Field cuttable
- Ideal for color-changing accent lighting
- Color changing + white
- UL Listed, Title 24 JA8 compliant
- Dimmable with RGBW controllers

## RGBW COLOR SPECTRUM



# LSPW-80RGBW 8.8W Outdoor RGB+White LED Strip

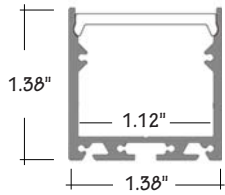
## STANDARD ORDERING CODE

Model	Color Temp	Length	Voltage
LSPW-80RGBW	RGBW27K - RGB + 2700K RGBW30K - RGB + 3000K RGBW40K - RGB + 4000K RGBW50K - RGB + 5000K	16 - 16.4 Ft. 32 - 32 Ft. PF - Per foot	24V - 24V DC

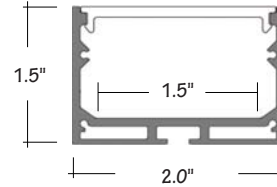
## CUSTOMIZED LENGTH ORDERING CODE

Model	Color Temp	Length	Voltage	Profile
LSPW-80RGBW	RGBW27K - RGB + 2700K RGBW30K - RGB + 3000K RGBW40K - RGB + 4000K RGBW50K - RGB + 5000K	XX - Custom Length	24V - 24V DC	See p3 for options

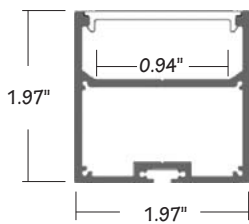
## COMPATIBLE ALUMINUM PROFILES



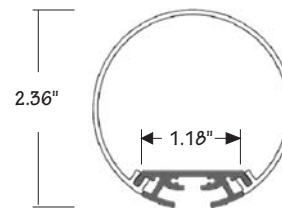
**ALP-140**    **SURFACE / SUSPENSION**  
**LENGTHS**    49.25" , 98.5"  
**LENS**    Frosted  
**FINISH**    Anodized Aluminum



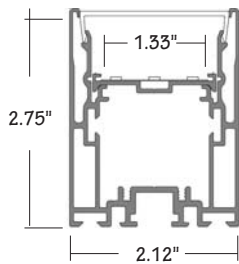
**ALP-160**    **SURFACE / SUSPENSION**  
**LENGTHS**    49.25" , 98.5"  
**LENS**    Frosted  
**FINISH**    Anodized Aluminum



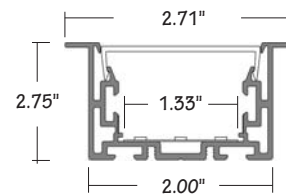
**ALP-200**    **SURFACE / SUSPENSION**  
**LENGTHS**    49.25" , 98.5"  
**LENS**    Frosted  
**FINISH**    Anodized Aluminum



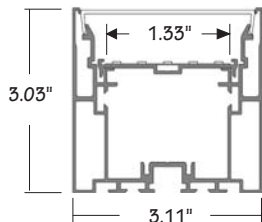
**ALP-245**    **SUSPENSION**  
**LENGTHS**    49.25" , 98.5"  
**LENS**    Frosted  
**FINISH**    Anodized Aluminum



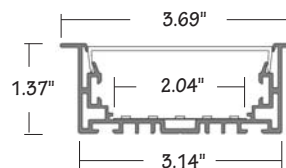
**ALP-230N**    **SURFACE / SUSPENSION**  
**LENGTHS**    49.25" , 98.5"  
**LENS**    Frosted  
**FINISH**    Anodized Aluminum



**ALP-230RN**    **RECESSED**  
**LENGTHS**    49.25" , 98.5"  
**LENS**    Frosted  
**FINISH**    Anodized Aluminum

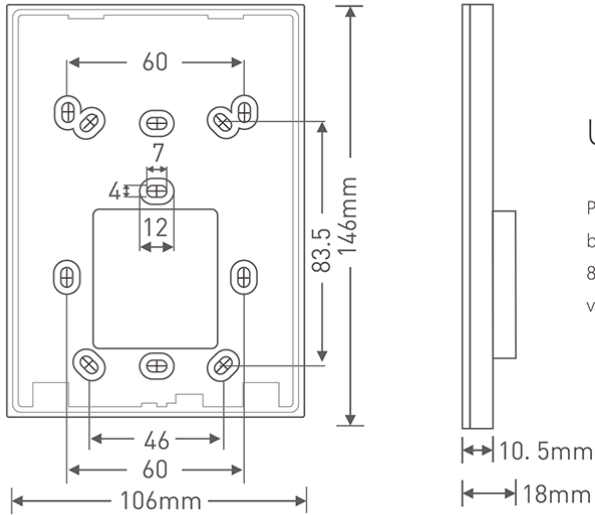


**ALP-310N**    **SURFACE / SUSPENSION**  
**LENGTHS**    49.25" , 98.5"  
**LENS**    Frosted  
**FINISH**    Anodized Aluminum



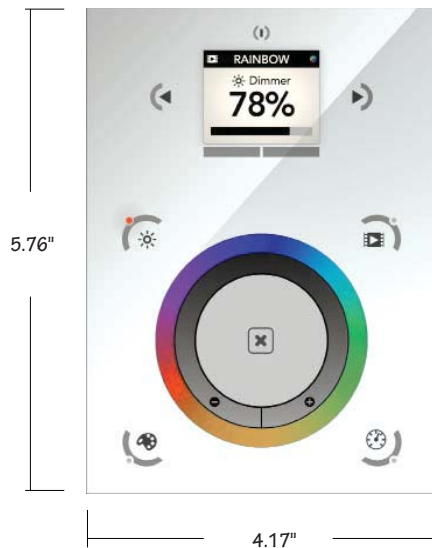
**ALP-330RN**    **RECESSED**  
**LENGTHS**    49.25" , 98.5"  
**LENS**    Frosted  
**FINISH**    Anodized Aluminum

## COMPATIBLE RGBW CONTROLLERS



### RGB-CT600

<b>INPUT VOLTAGE</b>	5V DC, 1A
<b>OUTPUT SIGNAL</b>	RF 2.4GHz + DMX512
<b>CONTROL</b>	4 ZONES
<b>WORKING TEMP</b>	-30°C ~ 55°C
<b>WEIGHT (gross)</b>	370g

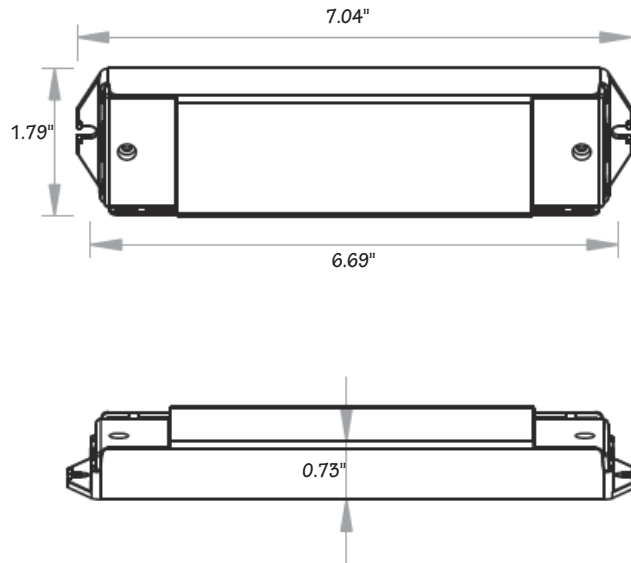


### RGB-SDE3

<b>INPUT POWER</b>	6V DC 0.6A
<b>OUTPUT SIGNAL</b>	DMX512 (x2)
<b>PROGRAMMABILITY</b>	PC, MAC, Tablet, Smartphone
<b>AVAILABLE COLORS</b>	Black / White
<b>CONNECTIONS</b>	USB, Ethernet, RS232, Clock, 8dry contact ports, 5V output relay
<b>MEMORY</b>	microSD card
<b>WORKING TEMP</b>	-10°C ~ 45°C
<b>MOUNTING</b>	Single or double gang wall socket
<b>WEIGHT (gross)</b>	247g

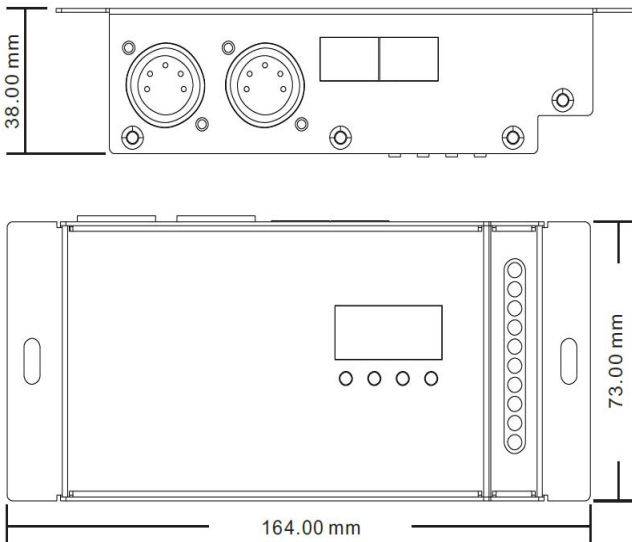
# LSPW-80RGBW 8.8W Outdoor RGB+White LED Strip

## COMPATIBLE RGBW CONTROLLERS



### RGB-DMX4C

INPUT	12V - 24V DC
OUTPUT CURRENT	8A X 4CH
OUTPUT POWER	240W(12V), 720W (24V)
OUTPUT CHANNELS	3 or 4 selectable



### RGB-DMX5C-XLR

INPUT	12V-24V-36V DC
OUTPUT CURRENT	8A X 5CH

## COMPATIBLE TRANSFORMERS



### PSHK SERIES NON-DIMMING WITH JUNCTION BOX

<b>PSHK-30W-24V-UNV</b>	CLASS 2	6.5" X 3.6" X 1.02"
<b>PSHK-60W-24V-UNV</b>	CLASS 2	7.4" X 3.62" X 1.02"
<b>PSHK-96W-24V-UNV</b>	CLASS 2	8.66" X 3.66" X 1.61"
<b>PSHK-150W-24V-UNV</b>		10.24" X 4.06" X 1.81"
<b>PSHK-200W-24V-UNV</b>		10.24" X 4.06" X 1.81"
<b>PSHK-300W-24V-UNV</b>		10.94" X 4.25" X 1.81"